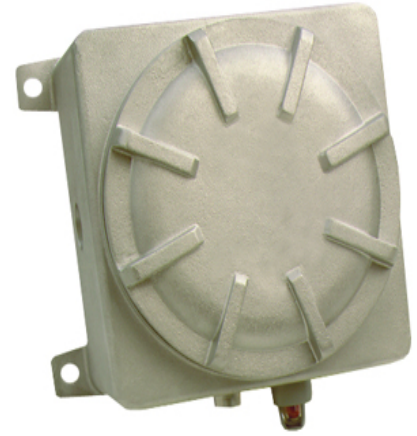


CHLORIDE

IX Series

IXN30, IXN50, IXL85, IXP14

**120/277V 60Hz Emergency
Luminaire**



For use in hazardous locations

Class I,	Div 1 & 2,	Groups C & D
Class II,	Div 1,	Groups E,F,& G
Class II,	Div 2,	Groups F & G
Class III,	Div 1 & 2	

INSTALLATION AND OPERATING INSTRUCTIONS

IMPORTANT SAFEGUARDS

When using electrical equipment, basic safety precautions should always be followed, including the following:

READ AND FOLLOW ALL SAFETY INSTRUCTIONS

All servicing should be performed by qualified personnel only.

Equipment should be mounted in locations and at heights where it will not be readily subjected to tampering by unauthorized personnel.

The use of accessory equipment not recommended by the manufacturer may cause an unsafe condition.

Do not use this equipment for other than intended use.

Do not use outdoors.

CAUTION: Halogen cycle lamp(s) are used in this equipment. To avoid shattering: Do not operate lamp in excess of rated voltage, protect lamp against abrasion and scratches and against liquids when lamp is operating, dispose of lamp with care.

Halogen cycle lamps operate at high temperatures. Do not store or place flammable materials near lamp.

CAUTION: “To avoid electrical overload, total connected lamp load (factory and field installed) should not exceed output rating”.

WARNING – Shut off AC power to branch circuits to which units will be connected. All wiring should be per N.E.C. Articles 501-4 and 501-5.

INSTALLATION INSTRUCTIONS

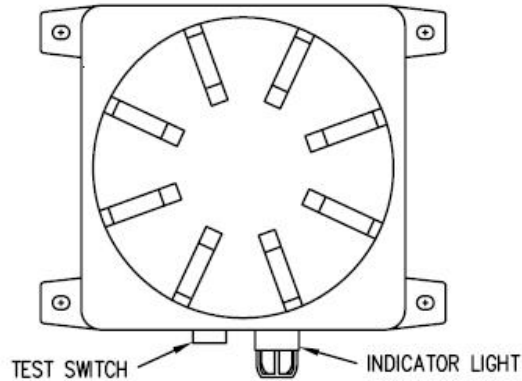
CHLORIDE

Signify North America Corporation
200 Franklin Square Drive
Somerset, NJ 08873, USA
Phone: 855-486-2216
www.chloride-lighting.com

Signify Canada Ltd./Signify Canada Ltée.
281 Hillmount Road,
Markham, ON, Canada L6C 2S3
Phone: 800-668-9008

July 2018
443580513481

These units are suitable for 120 VAC or 277 VAC, 60 Hz operation.



1. ENCLOSURE

- A. Prior to mounting enclosure on wall, determine the routing of AC conduit.
NOTE: Three $\frac{3}{4}$ NPT conduit holes are provided in the enclosure, one on top and one on each side for the purpose of connecting conduit and fixtures.

WARNING: All conduit runs must be sealed within six (6) inches of the enclosure.

- B. Properly secure enclosure to mounting surface. Arrange unit so that test switch and indicator light are to the bottom per figure above.

WARNING: To reduce risk of an explosion due to inadvertent sparking, ensure area is free of hazardous atmospheres before installation or maintenance.

- C. Remove cover by turning counterclockwise. Take care not to damage threads when disassembled.

- D. Connect Conduit to enclosure.

- E. Pull the AC wires into enclosure and connect to AC service wires per hookup label on charger chassis.

Green wire -- ground
White wire – neutral
Black wire – 120 VAC
Blue (or red) wire – 277 VAC

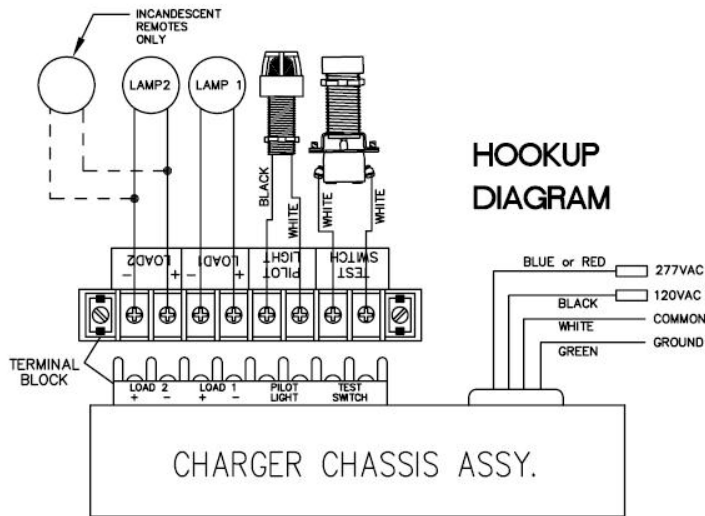
Unused primary wire must be insulated to prevent shorting.

2. LAMP FIXTURES

WARNING: To prevent against electrical shock, connect all fixtures to terminal block before energizing AC supply or connecting battery leads.

- A. One or two lamp fixtures may be mounted on enclosure. If remote lamp fixtures are required, total rating of all lamps is not to exceed maximum output rating of unit. Maximum remote lamp fixture mounting distance from the IXPN14 is 8 feet.
- B. Connect conduit to enclosure.
- C. Pull fixture wires into enclosure (size #10 AWG maximum). Use gauge that will limit voltage drop to an acceptable amount.
- D. Connect fixture wires to load terminals on charger chassis (refer to hookup diagram). Provision is made for two load circuit hookups.
- E. Seal up any unused conduit entry hole using close up plug provided with at least five full threads engaged.

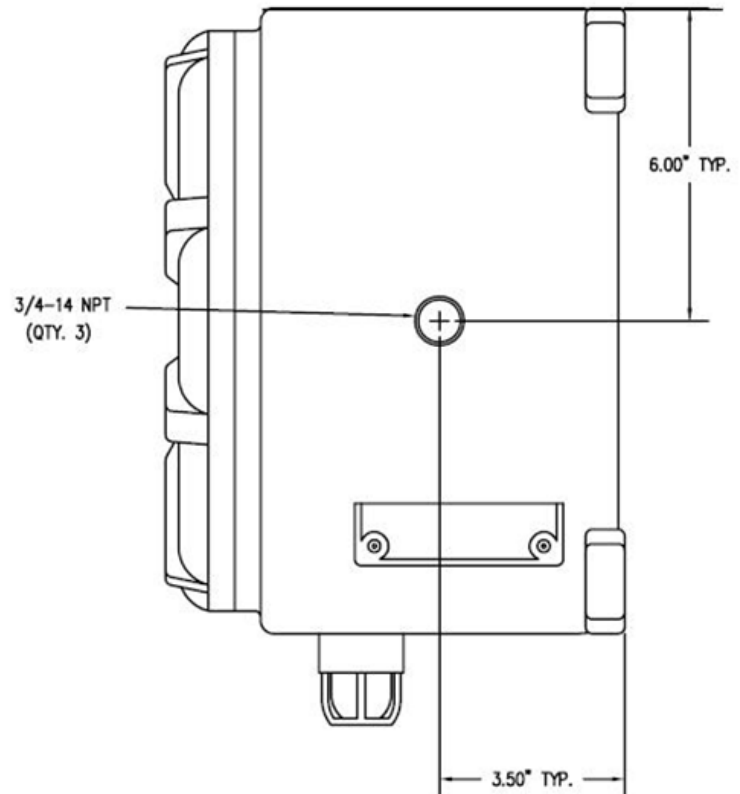
OPERATING INSTRUCTIONS



3. BATTERY HOOK-UP

- A. Plug battery connector(s) into mating socket(s) from charger chassis.
- B. Fixture(s) should briefly illuminate due to battery(ies) being supplied in a discharged state.
- C. Replace cover by threading in clockwise direction. Tighten until cover seats against enclosure. **DO NOT OVERTIGHTEN.**

1. Energize AC to unit. Indicator lamp should illuminate and fixture(s) should turn off except for IXPN14 fixture(2) which stay on in AC and emergency mode. **NOTE:** If unit is equipped with optional time delay, the AC indicator will not illuminate for 15 minutes after AC power is supplied.
2. Leave unit for 15 minutes with AC connected. Press test switch button and check that indicator lamp turns off and fixture(s) illuminate briefly.
3. Leave AC connected for a minimum of 24 hours before performing any abbreviated testing. Full recharge of battery(ies) may take up to one (1) week.



VIEW SHOWN WITHOUT COVER

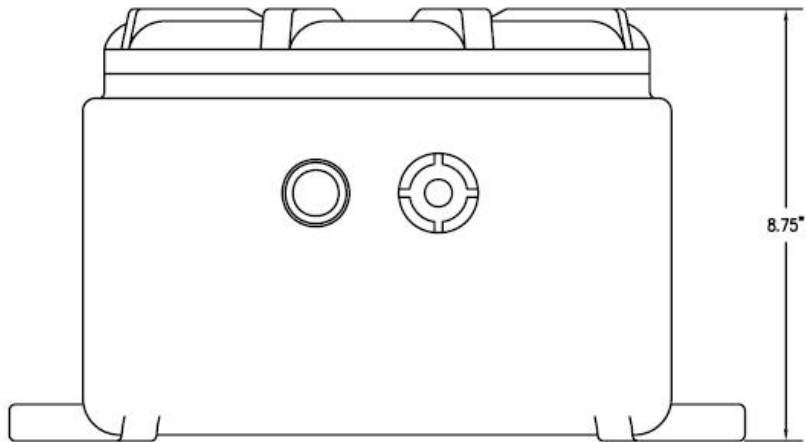
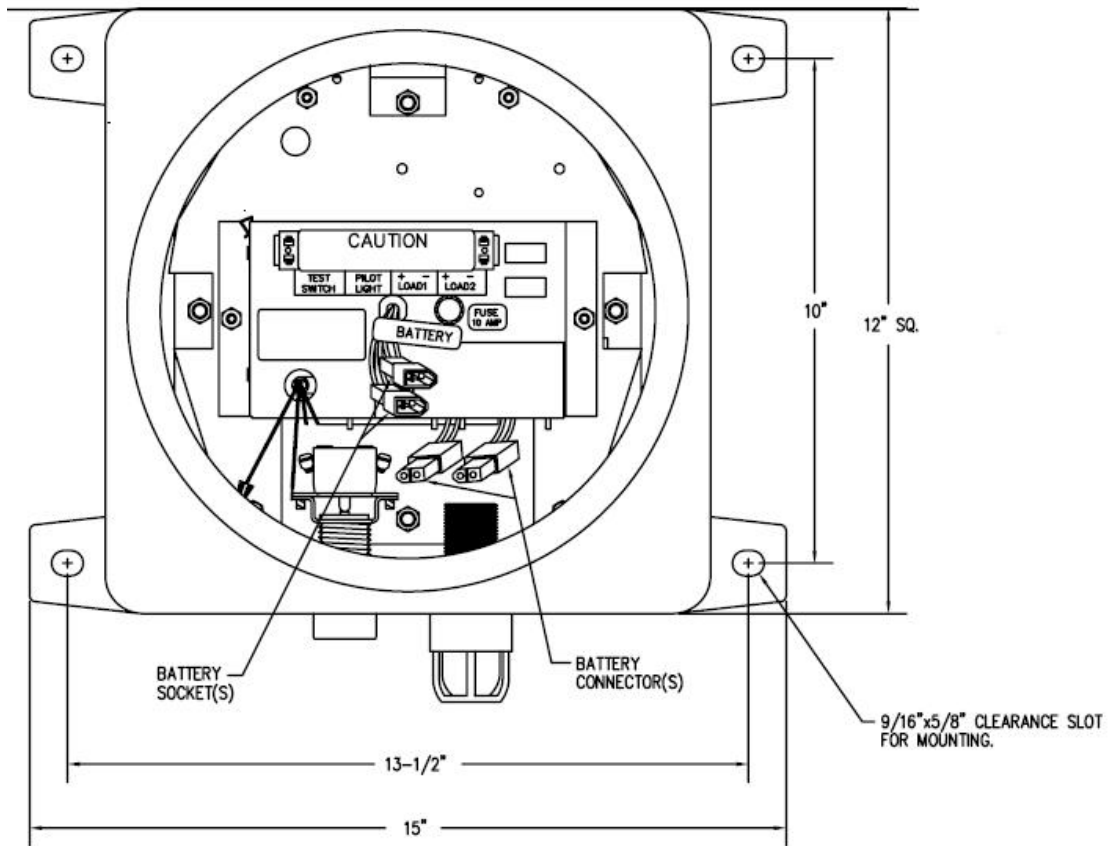


FIGURE 1

MAX. WT. 65 lb.

CHLORIDE

Signify North America Corporation
200 Franklin Square Drive
Somerset, NJ 08873, USA
Phone: 855-486-2216
www.chloride-lighting.com

Signify Canada Ltd./Signify Canada Ltée.
281 Hillmount Road,
Markham, ON, Canada L6C 2S3
Phone: 800-668-9008

July 2018
443580513481