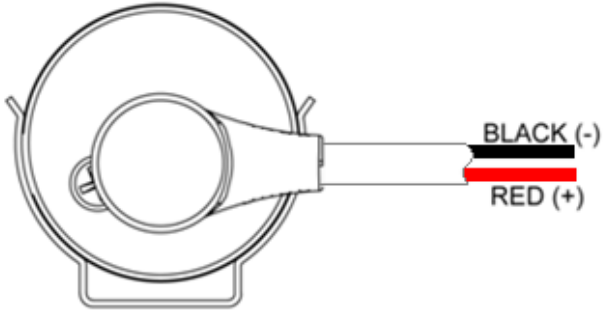




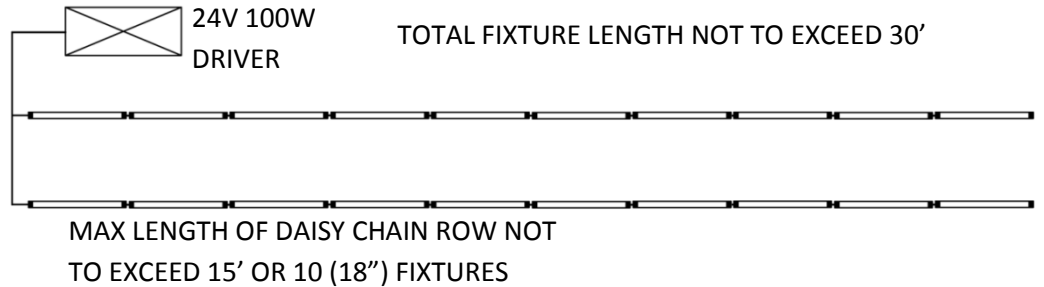
Line 1.5 Installation Instructions



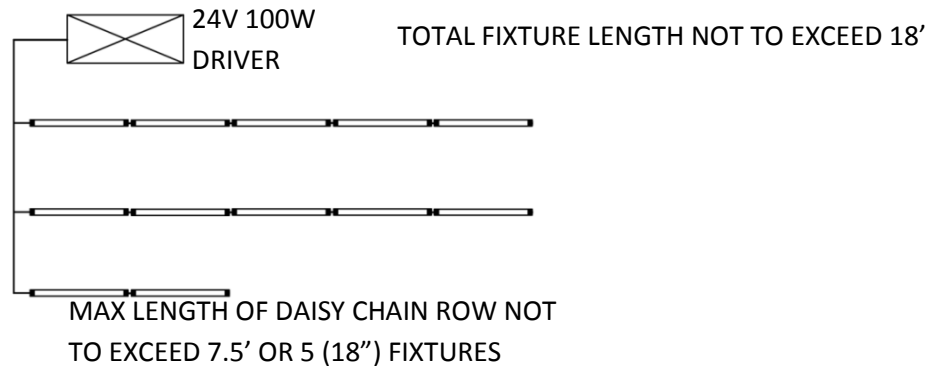
REMOTE LOCATION OF DRIVERS:

DRIVER	REMOTE DISTANCE
24V 100W	18' w/18AWG
	46' w/14AWG
	71' w/12AWG

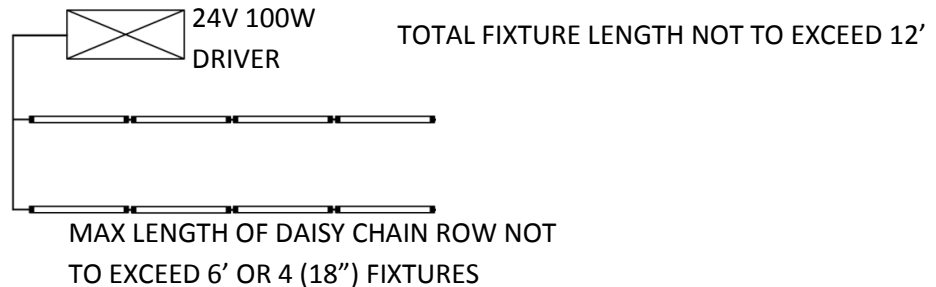
STANDARD OUTPUT WHITE FIXTURES



MEDIUM OUTPUT WHITE FIXTURES

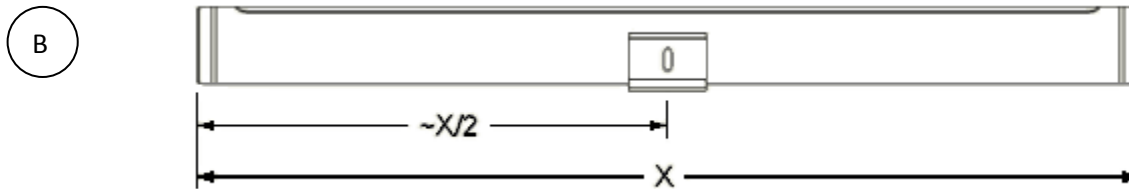
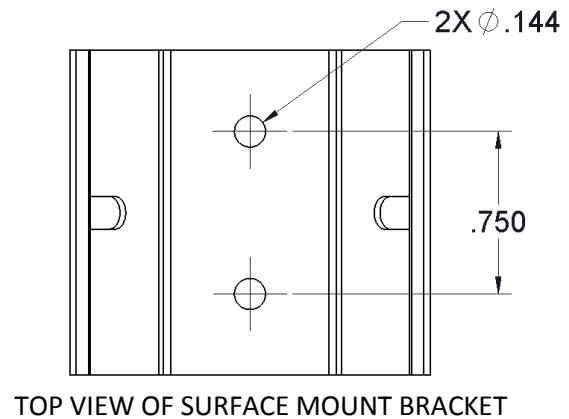
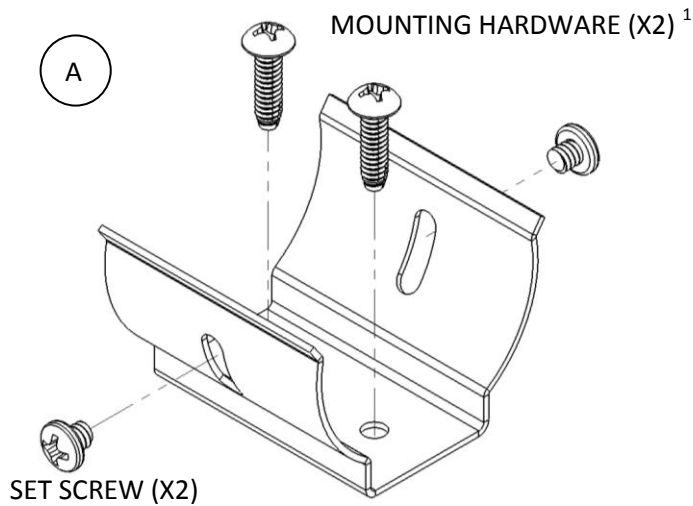


HIGH OUTPUT WHITE & COLOR FIXTURES (RED, BLUE, GREEN, AMBER)





Line 1.5 Installation Instructions



18" LONG FIXTURES REQUIRE ONE BRACKET CENTRALLY LOCATED AS INDICATED ABOVE

- FASTENERS SHOULD BE NO. 6 SCREW OR EQUIVALENT (NOT SUPPLIED). IT IS THE INSTALLERS RESPONSIBILITY TO ENSURE THE FASTENER IS SUITABLE FOR THE MOUNTING SURFACE.
- BRACKETS SHOULD IDEALLY BE PLACED APPROXIMATELY AS INDICATED BY THE DIAGRAMS, THOUGH THEY ENGAGE THE FIXTURE AT ANY POINT ALONG THE LENGTH.
- WHEN USING THE RIGID INTERCONNECT, CARE MUST BE TAKEN TO ALIGN FIXTURES IN STRIAIGHT ROWS. STRESS CAUSED BY BENDING THE ROWS AT THE INTERCONNECT CAN DAMAGE THE FIXTURE AND VOID THE WARRANTY. FOR FIXTURE ROWS THAT ARE NOT PERFECTLY STRAIGHT, PLEASE USE THE 6" FLEXIBLE INTERCONNECT.



WARNING: MOUNTING BRACKET REQUIRES USE OF THE SUPPLIED SET SCREWS (X2). FAILURE TO INSTALL BOTH SET SCREWS CORRECTLY MAY CAUSE FIXTURE TO FALL.

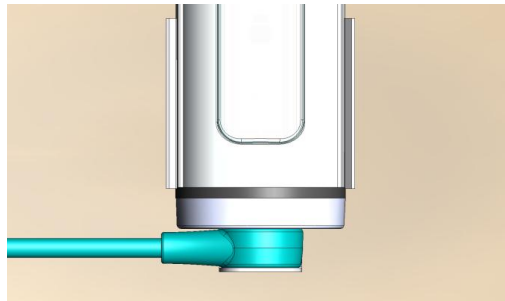
¹ Mounting hardware not included



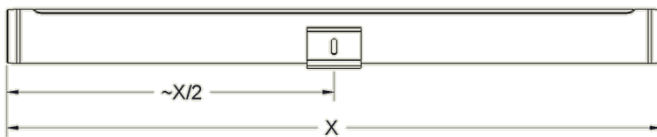
Line 1.5 Vertical Installation Instructions



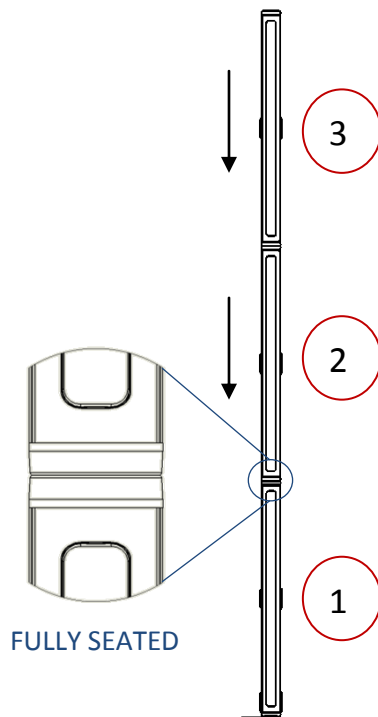
SECURE VERTICAL WALL MOUNT BRACKET TO MOUNTING SURFACE ¹



USE LEFT OR RIGHT SIDE FEED [90° CONNECTOR WITH LOWEST FIXTURE TO POWER SERIES. ENSURE FIXTURE IS FULLY SEATED IN VERTICAL MOUNT BRACKET AND TIGHTEN SET SCREWS (INCLUDED, X2).



SECURE SURFACE MOUNT BRACKET TO MOUNTING SURFACE ¹. THE BRACKET SHOULD BE CENTRALLY LOCATED ON FIXTURE BEING INSTALLED. USE RIGID INTERCONNECTS BETWEEN FIXTURES. ENSURE FULLY SEATED CONNECTION AND TIGHTEN (X2) SET SCREWS.



CONTINUE INSTALLING FIXTURES ONE AT A TIME (MOUNT, INTERCONNECT, FIXTURE PLACEMENT, SET SCREWS X2) TO DESIRED HEIGHT NOT TO EXCEED RECOMMENDED RUN LENGTHS, FROM THE LOWEST FIXTURE TO THE HIGHEST.

¹ Mounting hardware not included