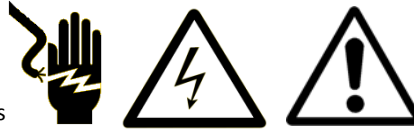




CLOSET ROD INSTALLATION INSTRUCTIONS

- *Installation Instructions for qualified electricians only
- *Install per National Electrical Code and local regulations
- *Read Installation Instructions completely before installation
- *Failure to follow Installation Instructions may void warranties

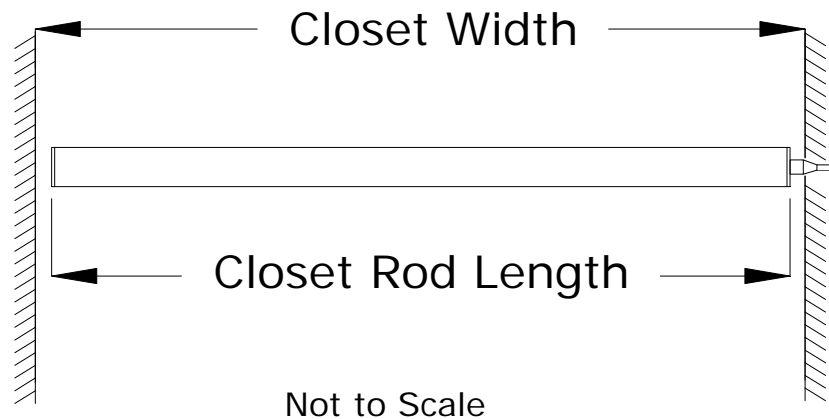


THIS PRODUCT MUST BE INSTALLED IN ACCORDANCE WITH THE APPLICABLE INSTALLATION CODE BY A PERSON FAMILIAR WITH THE CONSTRUCTION AND OPERATION OF THE PRODUCT AND THE HAZARDS INVOLVED.

Ordering Information:

Closet Rod is available in custom lengths up to 96 inches. A center support is required for beams longer than 48 inches. Additional supports are recommended if the closet rod will be supporting especially heavy apparel (i.e. winter coats, heavy weight suits, etc.). The maximum allowable load for the closet rod is 45 pounds per foot.

io Lighting must be provided with either the exact rod lengths or the closet dimensions at the time of order. If closet dimensions are provided, the Closet Rod will be built with a 3/16" clearance. CLOSET ROD IS NOT FIELD CONFIGURABLE.



Cautions:

All mounting surfaces should be flat and structurally sound.

All screw connections to be made in structural framing or blocking. Drywall anchors should not be used.

Installer is responsible to ensure fasteners used are suitable for mounting conditions.

Closet Rod is a Class II lighting system and must be installed with the io provided power supply (driver) in accordance with all applicable electrical codes.

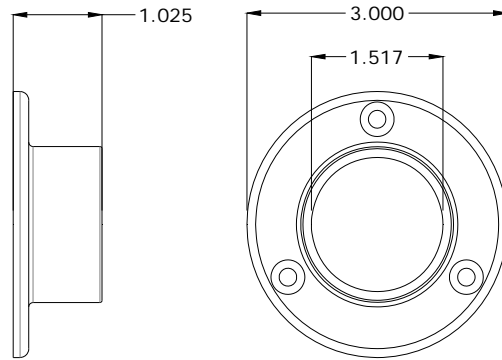


CLOSET ROD INSTALLATION INSTRUCTIONS

Hardware:

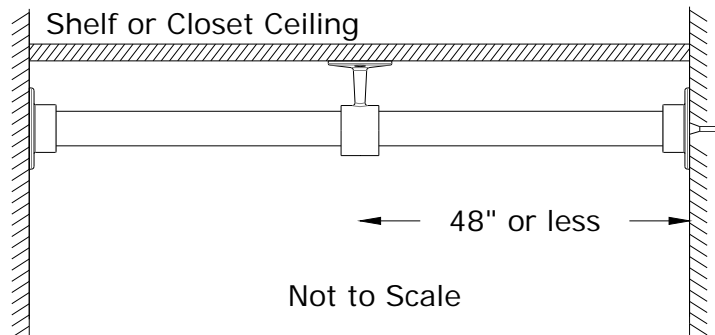
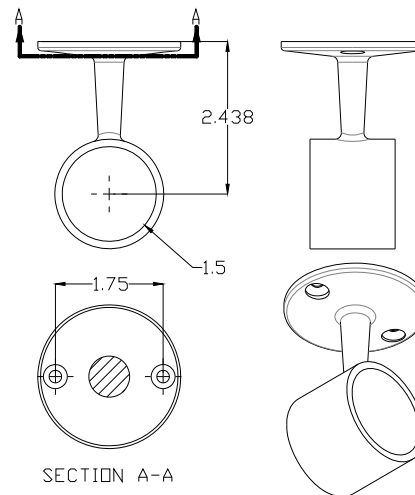
End Mounting Bracket

Provided with (3) #10-24 x 1 1/2" wood screws.



Center Support Bracket – Required for beams over 48".

Provided with (2) #10-24 x 1 1/2" wood screws.

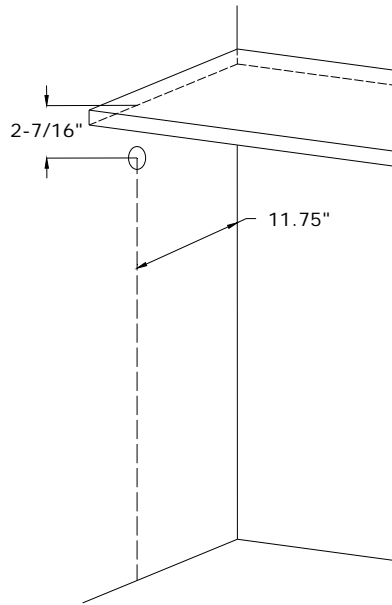




CLOSET ROD INSTALLATION INSTRUCTIONS

Installation:

1. Measure and mark location of Closet Rod brackets. Closet Rod centerline should be located 11.75" from rear wall of closet. If center support is used, Closet Rod Center line must be 2-7/16" from bottom of shelf or ceiling. Center support should be evenly spaced between end brackets. Mark locations of end and center brackets, mark location of mounting screws and drill pilot holes as needed.

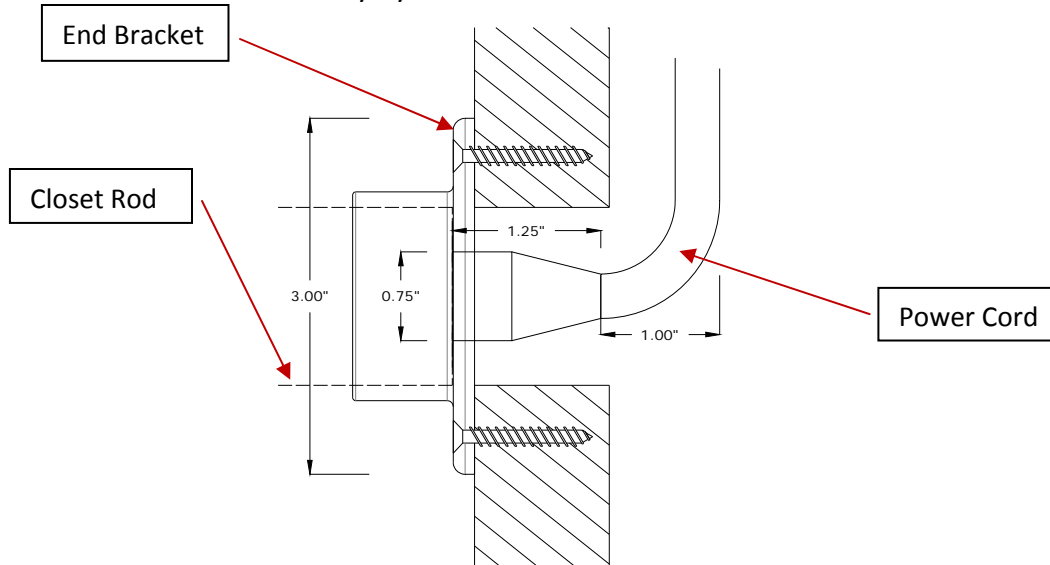


2. Set Screw (optional). A set screw may be used to prevent the Closet Rod from rotating in the end brackets. A hole for this purpose is provided in the end mounting bracket but the actual screw is not provided and is not required for installation. If a set screw is desired, please note its location when marking mounting holes and installing the end brackets. The set screw cannot be screwed into the underside or lens portion of the fixture. The screw should fall between two ribs in the Closet Rod. Use a #6-32 x 3/16(min) type screw. Screw head type should be based on application requirements. For residential applications a Phillips type screw head is recommended. For commercial applications a tamper proof or headless set screw may be preferred.



CLOSET ROD INSTALLATION INSTRUCTIONS

3. Drill hole for wire feed to powered end of Closet Rod. Hole should be between 1" and 1 1/2" in diameter. Wall thickness will vary by installation.



Not to Scale

4. Install driver in a readily accessible location. The supplied standard wire harness is 8', 18AWG. Remote driver mounting limitations are:

Wire Gauge	Remote Distance
22AWG	7'-0"
18AWG	18'-0"
14AWG	46'-0"
12AWG	71'-0"

Consult driver specification sheet for driver attributes and requirements.

5. Run power cord to closet rod location and out through drilled hole.
6. Slide end bracket for powered end onto Closet Rod.
7. Plug power cord into Closet Rod. Be sure to fully seat plug into Closet Rod to ensure a solid connection. Closet rod should be installed with lens facing down.
8. Install end bracket on powered side into wall using screws. Ensure mounting screws engage structurally sound framing or blocking.
9. Slide center bracket(s) and end bracket onto other end of Closet Rod.
10. Install end bracket on non powered side using screws. Ensure mounting screws engage structurally sound framing or blocking.
11. Install center bracket(s) using screws. Ensure mounting screws engage structurally sound framing or blocking.



CLOSET ROD INSTALLATION INSTRUCTIONS

12. Closet Rod should rest evenly on end and center support brackets.
13. Energize circuit and test functionality of closet rod.

