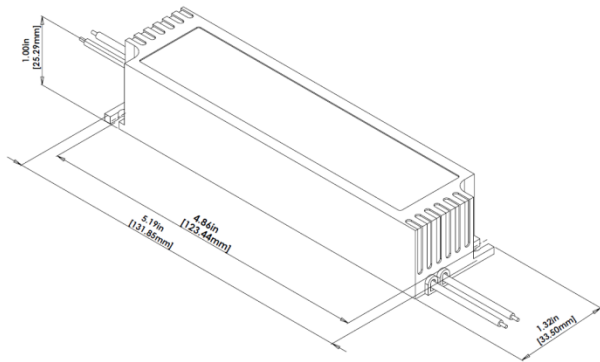


20-Watt Driver

POWER SUPPLY | 20D-12X6X4

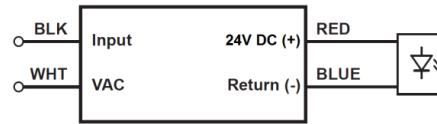


Key Features

- Light weight, low profile
- Short circuit and overload protection
- Low power supply losses

Specifications

Location:	Damp
Output Voltage:	24v DC
Output Power:	20w
Input Voltage:	120 to 277 VAC
Frequency:	50 to 60 HZ
Ambient Temp:	-20°C to +50°C
Weight:	.21 lbs
Dimming:	Yes



Note: Mounting distance for 18 AWG wire is 15 feet. For additional information on further distances and EMI compliance reference application note LED126.

Remote Distance		Diameter	
7'-0"	(2.1m)	w/22 AWG	(.644mm)
18'-0"	(5.5m)	w/18 AWG	(1.02mm)
46'-0"	(14.0m)	w/14 AWG	(1.63mm)
71'-0"	(21.6m)	w/12 AWG	(2.05 mm)

20W	Max Run Length in Series		Max Run Lengths in Parallel	
line .75 - SO / ledge / luxrail	34'	(5.18m)	34'	(10.36m)
line .75 - HO / ledge / luxrail	4'	(1.22m)	8'	(2.44m)
line .75 - VHO (and color) / ledge	3'	(0.91m)	6'	(1.82m)
line 1.5 - SO	17'	(5.18m)	17'	(10.36m)
line 1.5 - MO	7'	(2.13m)	7'	(4.26m)
line 1.5 - HO	4'	(1.22m)	4'	(2.44m)
line 1.5 - VHO (and color)	3'	(0.91m)	3'	(1.82m)
line 2.0 - SO	5'	(1.52m)	10'	(3.04m)
line 2.0 - HO	3'	(0.91m)	6'	(1.82m)
line 2.0 - VHO	2'	(0.61m)	4'	(1.22m)
line 2.0 - V2HO / B / G / A	1'	(0.30m)	2'	(0.6m)
line 2.0 - R	NA		NA	

12x6x4 Enclosure

POWER SUPPLY | 20D-12X6X4



Enclosure Construction

Enclosure and cover are fabricated from code 16 gauge steel. Enclosure body has mounting holes on the back and are available with or without knock outs on the sides, top and bottom ends. Cover is secured to the body with plated hex head combo screws, and has keyhole slots for easy removal without removing screws.

Enclosure Industry Standards

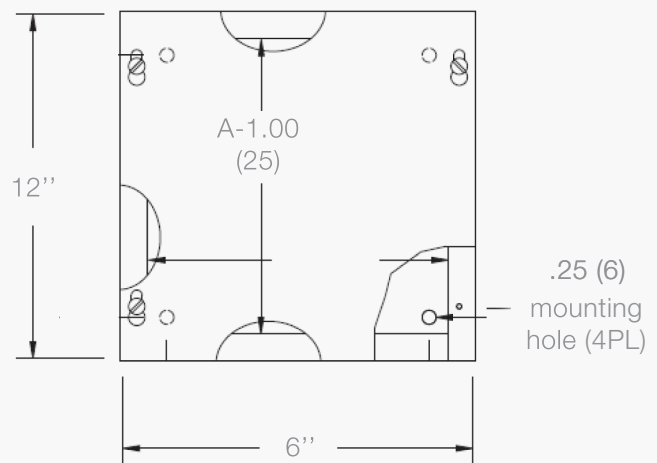
- UL 50 Listed, Type 1
- CSA C22.2 No. 40 certified, Type 1
- Conforms to NEMA standard for Type 1
- IEC 60529, IP30

*One driver enclosure can hold one 20W or 100W driver and one dimming module.

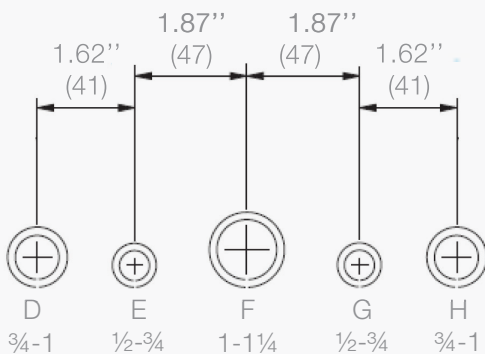
Left End With Cover



Front View Without Cover



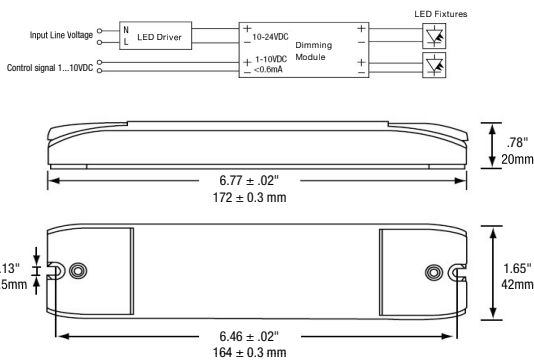
Conduit Sizes



Note: Dimensions are in inches. Millimeters are for reference only. Data subject to change without notice.

Dimming Module

POWER SUPPLY | 20D-12X6X4



DMX Compatibility

A DMX to 0-10V converter will typically be required to interface with DMX control systems. ETC has tested the dimming module with the Unison Series Dimming Rack. The Unison Fluorescent Option Module will provide up to (24) 0-10 signals from a single unit. The dimming module has also been tested with a 0-10 converter from Northlight Systems.

Tested by OSRAM

Manufacturer	Type	Model
HUNT	0-10 wall mount	PS-010
Leviton	0-10 wall mount	IP710-DLW
Lightolie	0-10 wall mount	ZP600F-AM 120W
Lutron	0-10 wall mount	NTFTV Series
	Control Panel	Grafik Eye
	Converter to 0-10v dc	GRX-TVI, GRX-TVM
NorthLight Systems	DMX to 0-10v Converter	8 channels 24 channels

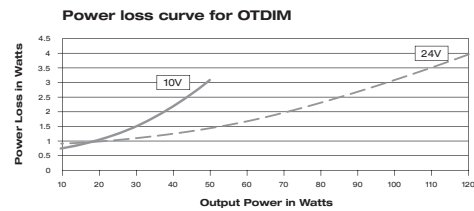
Source: OSRAM's "Controllers for LED Modules" PowerPoint

Key Features

- Utilizes pulse width modulation (PWM), to control LED performance
- Options available for analog or DMX protocols
- Dimming range: 0-100%
- Short circuit, overload and overheating protection

Specifications

Location:	Dry
Input Voltage:	24v DC
Max Input Current:	5.3A
Control Voltage:	0-10v DC
Frequency:	135 HZ
Ambient Temp:	-20°C to +50°C
Weight:	.165 lbs
Power Consumption:	Up to 3W



Lutron Products

0-10 V (current sink) IEC 60929

Entire Room Controls

Radio Touch™	Included
microWatt™	Included
Grafik Eye	
3000/2000	GRX-TVI
4000®	TVM Module
GXI	Included
Spacer System	SPSF-6A + GRX - TVI

Building Controls

LCP128™	TVM Module
G5000™/6000/7000™	TVM Module

Whole Home Controls

Radio RA®	RA-6ND + GRX-TVI
Homeworks®	GRX-TVI, TVM

Wallbox

NovaT®*	NTFTV
Nova®	NFTV
Vareo® 2	VF10 + GRX-TVI
Divi® 2	DVF103P + GRX-TVI
Skylark® 2	SF103P + GRX-TVI

Source: Lutron Application Note #138:

*Please contact specific manufacturers for details on specific dimming control