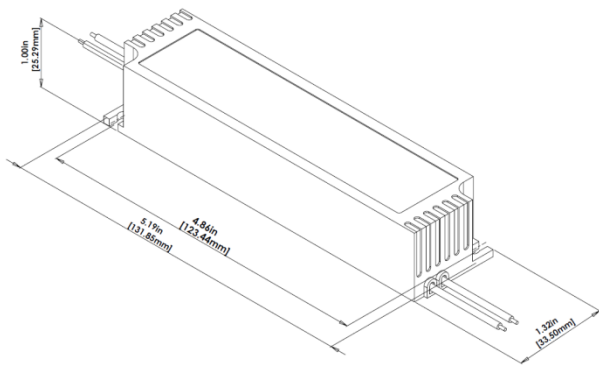


# 20-Watt Driver

## POWER SUPPLY | 20ND-.75-6x4x4

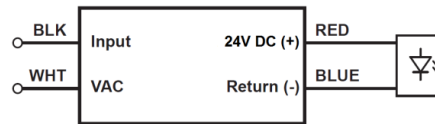


### Key Features

- Light weight, low profile
- Short circuit and overload protection
- Low power supply losses

### Specifications

Location:	<b>Damp</b>
Output Voltage:	<b>24v DC</b>
Output Power:	<b>20w</b>
Input Voltage:	<b>120 to 277 VAC 50 to 60 HZ</b>
Frequency:	<b>to 60 HZ</b>
Ambient Temp:	<b>-20°C to +50°C</b>
Weight:	<b>.21 lbs</b>
Dimming:	<b>Requires io provided Dimming Module</b>



Note: Mounting distance for 18 AWG wire is 15 feet. For additional information on further distances and EMI compliance reference application note LED126.

Remote Distance	Diameter
7'-0" (2.1m)	w/22 AWG (.644mm)
18'-0" (5.5m)	w/18 AWG (1.02mm)
46'-0" (14.0m)	w/14 AWG (1.63mm)
71'-0" (21.6m)	w/12 AWG (2.05 mm)

20W	Max Run Length in Series	Max Run Lengths in Parallel
line .75 - SO / ledge / luxrail	17' (5.18m)	34' (10.36m)
line .75 - HO / ledge / luxrail	4' (1.22m)	8' (2.44m)
line .75 - VHO (and color) / ledge	3' (0.91m)	6' (1.82m)
line 1.5 - SO	17' (5.18m)	17' (10.36m)
line 1.5 - MO	7' (2.13m)	7' (4.26m)
line 1.5 - HO	4' (1.22m)	4' (2.44m)
line 1.5 - VHO (and color)	3' (0.91m)	3' (1.82m)
line 2.0 - SO	5' (1.52m)	10' (3.04m)
line 2.0 - HO	3' (0.91m)	6' (1.82m)
line 2.0 - VHO	2' (0.61m)	4' (1.22m)
line 2.0 - V2HO / B / G / A	1' (0.6m)	2' (0.6m)
line 2.0 - R	NA	NA

# 6x4x4 Enclosure

## POWER SUPPLY | 20ND-.75-6x4x4



### Enclosure Construction

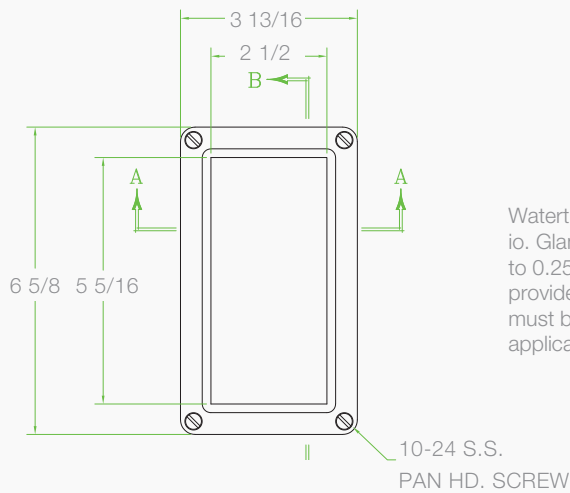
Enclosure material is a molded fiberglass reinforced polyester (thermoset). The gasket is poured polurethane seamless gasket that provides watertight, dust-tight environmental seal. The cover screws are recessed, captive and stainless steel.

### Enclosure Industry Standards

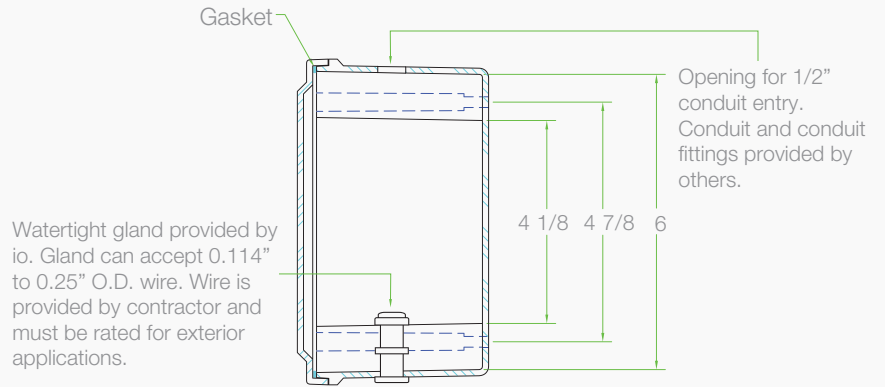
- UL/cUL 50: File E64358 type 1, 3, 4X 6P, 12
- NEMA 250: Type 1, 3, 4X, 6P, 12
- CSA Std 22.2: File LR069014 type 1, 3, 4X, 6P, 12
- Temp rating: (-40° to +120°C)
- Flammability rating: UL94-5V

\*One driver enclosure can hold one 20W driver.

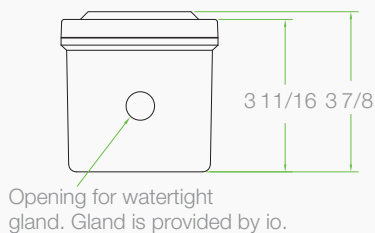
### Front View With Cover



### Front View Cross Section



### End View With Cover



### End View Cross Section

