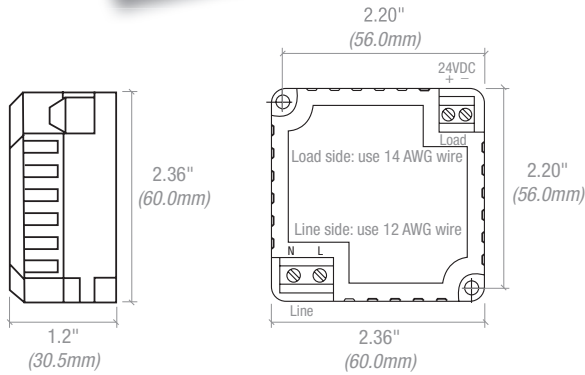


20-Watt Driver

POWER SUPPLY | 20D-.75-11x4x4



Note: 6" (L) x 4" (W) x 4" (H) enclosure is required by UL.

Key Features

- Light weight, low profile
- Short circuit and overload protection
- Low power supply losses

Specifications

Location:	Dry
Output Voltage:	24v DC
Output Power:	20w
Input Voltage:	120 to 240 VAC
Frequency:	50 to 60 HZ
Ambient Temp:	-20°C to +50°C
Weight:	.21 lbs
Dimming:	Yes

Remote Distance	Diameter
7'-0" (2.1m)	w/22 AWG (.644mm)
18'-0" (5.5m)	w/18 AWG (1.02mm)
46'-0" (14.0m)	w/14 AWG (1.63mm)
71'-0" (21.6m)	w/12 AWG (2.05 mm)

20W	Max Run Length in Series	Max Run Lengths in Parallel
line .75 - SO / ledge / luxrail	17' (5.18m)	17' (5.18m)
line .75 - MO / ledge / luxrail	7' (2.13m)	7' (2.13m)
line .75 - HO / ledge / luxrail	4' (1.22m)	4' (1.22m)
line .75 - VHO (and color) / ledge	3' (0.91m)	3' (0.91m)
line 1.5 - SO	12' (3.66m)	12' (3.66m)
line 1.5 - MO	5' (1.52m)	5' (1.52m)
line 1.5 - HO	3' (0.91m)	3' (0.91m)
line 1.5 - VHO (and color)	2' (0.61m)	2' (0.61m)
line 2.0 - SO	5' (1.52m)	5' (1.52m)
line 2.0 - HO	3' (0.91m)	3' (0.91m)
line 2.0 - VHO	2' (0.61m)	2' (0.61m)
line 2.0 - V2HO / B / G / A	1' (0.30m)	1' (0.30m)
line 2.0 - R	NA	NA

277 NOT AVAILABLE

11x4x4 Enclosure

POWER SUPPLY | 20D-.75-11x4x4



Enclosure Construction

Enclosure material is a molded fiberglass reinforced polyester (thermoset). The gasket is poured polurethane seamless gasket that provides watertight, dust-tight environmental seal. The cover screws are recessed, captive and stainless steel.

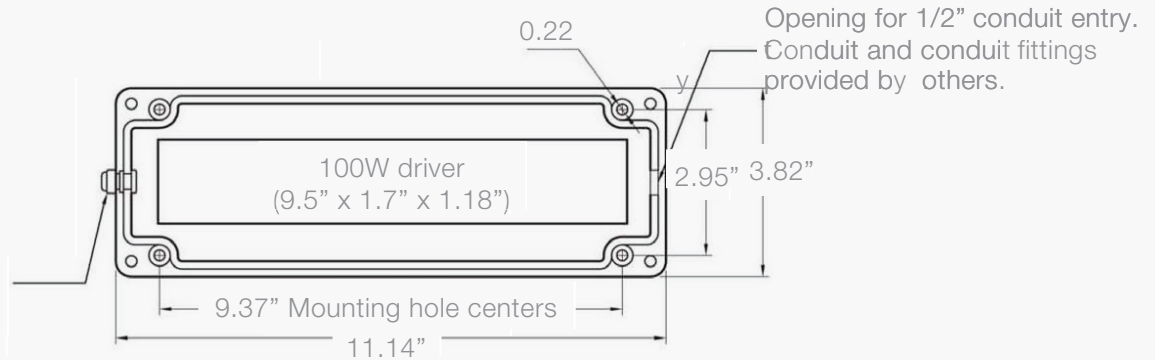
Enclosure Industry Standards

- UL/cUL 50: File E64358 type 1, 3, 4X 6P, 12
- NEMA 250: Type 1, 3, 4X, 6P, 12
- CSA Std 22.2: File LR069014 type 1, 3, 4X, 6P, 12
- Temp rating: (-40° to +120°C)
- Flammability rating: UL94-5V

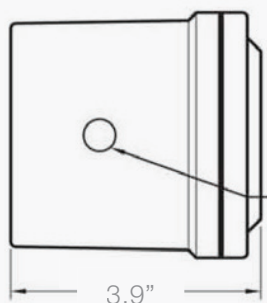
**One driver enclosure can hold one 20W or 100W driver and one dimming module.*

Front View Without Cover

Watertight gland provided by io. Gland can accept 0.114" to 0.25" O.D. wire. Wire is provided by contractor and must be rated for exterior applications.

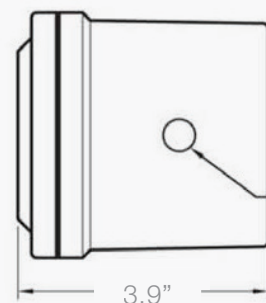


Left End View With Cover



Opening for water-tight gland. Gland is provided by io.

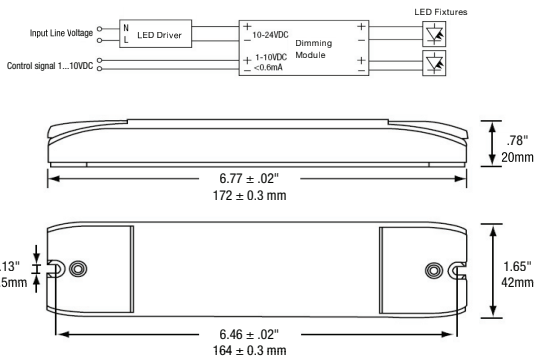
Right End View With Cover



Opening for 1/2" conduit entry. Conduit and conduit fittings provided by others.

Dimming Module

POWER SUPPLY | 20D-.75-11x4x4



DMX Compatibility

A DMX to 0-10V converter will typically be required to interface with DMX control systems. ETC has tested the dimming module with the Unison Series Dimming Rack. The Unison Fluorescent Option Module will provide up to (24) 0-10 signals from a single unit. The dimming module has also been tested with a 0-10 converter from Northlight Systems.

Tested by OSRAM

Manufacturer	Type	Model
HUNT	0-10 wall mount	PS-010
Leviton	0-10 wall mount	IP710-DLW
Lightolie	0-10 wall mount	ZP600F-AM 120W
Lutron	0-10 wall mount	NTFTV Series
	Control Panel	Grafik Eye
	Converter to 0-10v dc	GRX-TVI, GRX-TVM
NorthLight Systems	DMX to 0-10v Converter	8 channels 24 channels

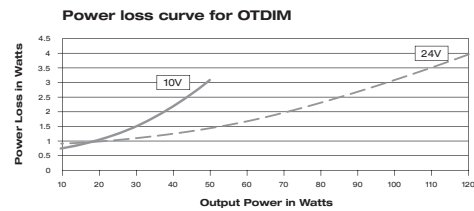
Source: OSRAM's "Controllers for LED Modules" PowerPoint

Key Features

- Utilizes pulse width modulation (PWM), to control LED performance
- Options available for analog or DMX protocols
- Dimming range: 0-100%
- Short circuit, overload and overheating protection

Specifications

Location:	Dry
Input Voltage:	24v DC
Max Input Current:	5.3A
Control Voltage:	0-10v DC
Frequency:	135 HZ
Ambient Temp:	-20°C to +50°C
Weight:	.165 lbs
Power Consumption:	Up to 3W



Lutron Products

0-10 V (current sink) IEC 60929

Entire Room Controls

Radio Touch™	Included
microWatt™	Included
Grafik Eye	
3000/2000	GRX-TVI
4000®	TVM Module
GXI	Included
Spacer System	SPSF-6A + GRX - TVI

Building Controls

LCP128™	TVM Module
G5000™/6000/7000™	TVM Module

Whole Home Controls

Radio RA®	RA-6ND + GRX-TVI
Homeworks®	GRX-TVI, TVM

Wallbox

NovaT®*	NTFTV
Nova®	NFTV
Vareo® 2	VF10 + GRX-TVI
Divi® 2	DVF103P + GRX-TVI
Skylark® 2	SF103P + GRX-TVI

Source: Lutron Application Note #138:

*Please contact specific manufacturers for details on specific dimming control