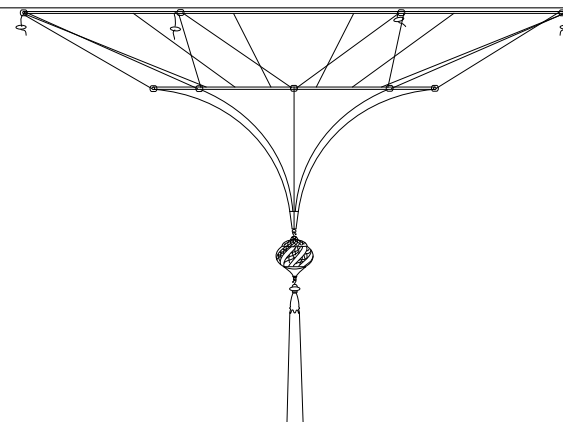

◆ ATELIER **FORTVNY** VENEZIA ◆

produced & distributed by Venetia Studium S.r.l. San Marco, 2425 - 30124 Venezia - Italy p+39 041 5236953 . info@fortuny.it
www.fortuny.it



SCHEHERAZADE 2T / art. 086 SH-2 / silk

assembly instructions / ceiling

1 x max 52W | E27 | 220-240V | 50-60 Hz



Our creations may show slight imperfections due to the special handwork required on each piece. Variations are one of the features which make each of our products an original and unique item.

IMPORTANT: keep for any possible need

GENERAL:

- Read all instructions and review diagrams beginning with the installation of the fixture.
- All electrical connections must be in accordance with local codes, ordinances or the National electrical code. If you are unfamiliar with methods of electrical wiring, secure the services of a qualified licensed electrician.

BEFORE BEGINNING INSTALLATION:

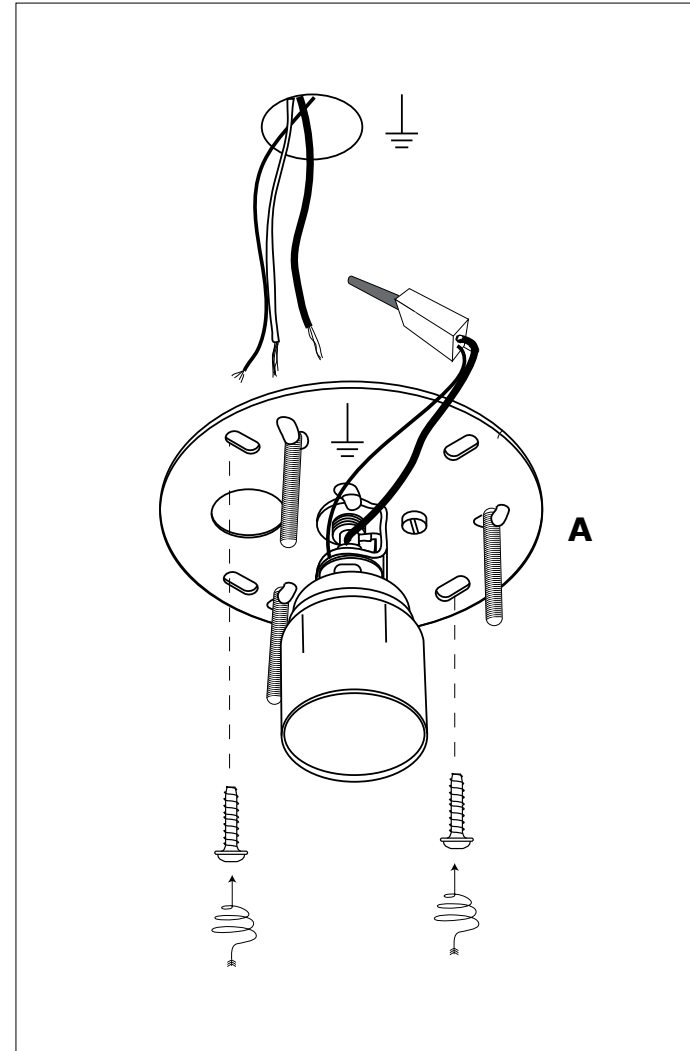
- Turn off the electricity to the outlet box at the circuit breaker or fuse box.
- If you are replacing an existing fixture, remove the old fixture and expose the supply wiring.
- Remove the old cross bar.

ELECTRICAL CONNECTIONS:

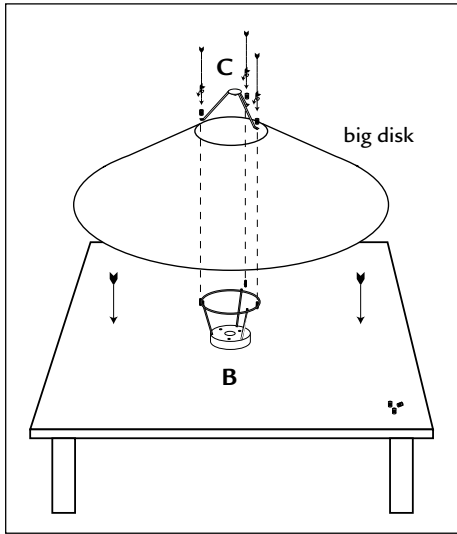
- Connect the blu wire from the fixture to the blu wire of the supply circuit.
- Connect the brown wire from the fixture to the brown supply wire.
Connect the ground wire - yellow/green - to the ground conductor of the supply circuit.
Make sure that there are no loose strands of wire and that there are no loose connections.

INSTALLING FIXTURE:

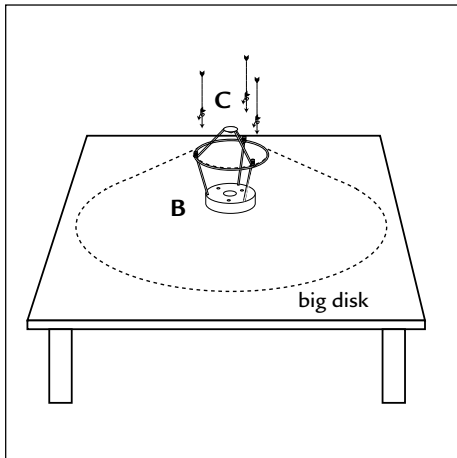
1. Before starting the installation, disconnect the power by turning off the circuit breaker.
2. Attach the cross bar **A** to the ceiling using suitable screws.
3. Make the electrical connections. Refer to the section titled Electrical Connections.



4. Lay the big disk over element B



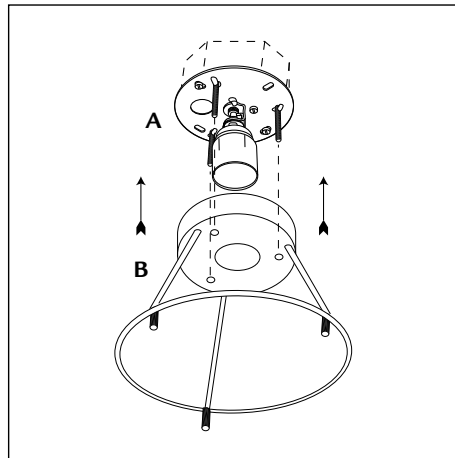
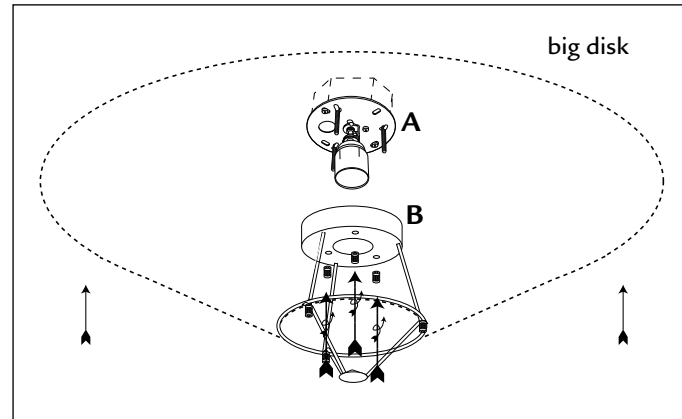
5. Insert element C and tighten the three screws on element B



6. Place the element B over the cross bar A so that the threaded studs extend through the 3 holes.

7. To secure the element B against the mounting surface thread the 3 nuts provided onto the 3 pins.

8. Install bulb. Do not exceed the maximum wattage for this fixture. Refer to the wattage warning label attached to the fixture for maximum allowable wattage.



9. Screw the small disk D onto element C.

10. Connect the two disks using the set of cords provided (see next page).

11. Restore the electricity and test.

