

ULTRA BOLLARD INSTALLATION INSTRUCTIONS

NOTE: THESE INSTRUCTIONS MUST NOT CONTRAVENE YOUR LOCAL ELECTRICAL AUTHORITY REGULATIONS, WITH WHICH ALL INSTRUCTIONS HERE IN MUST COMPLY. PLEASE KEEP INSTRUCTIONS FOR FUTURE REFERENCE.

Remove the complete fixture from the packaging. If the Pole and luminaire are to be installed separately detach the luminaire from the Pole and place it back in the packaging and store securely.

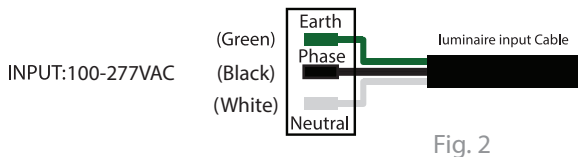
Discard the packing in an environmentally friendly way.

We recommend casting the Pole into the ground with concrete to a minimum depth of 300mm (12"). Place drainage material in the bottom of the hole to drain away water and stop water level build up. (See Fig. 1).

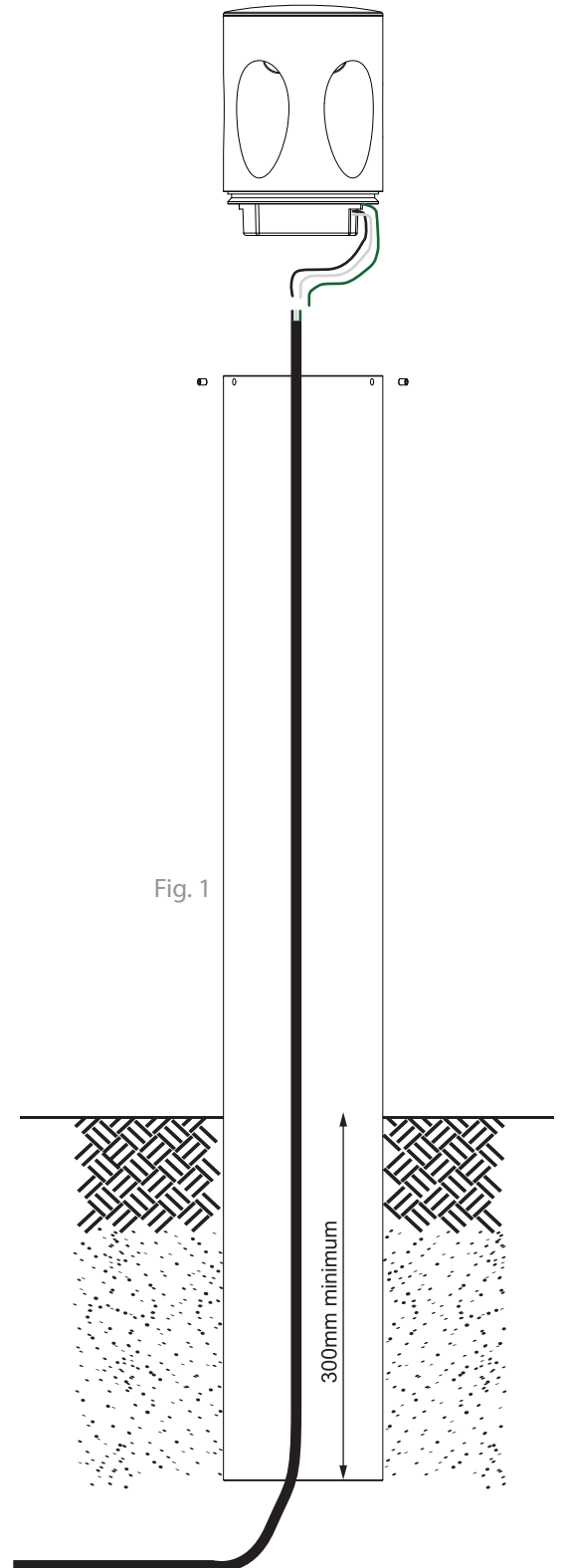
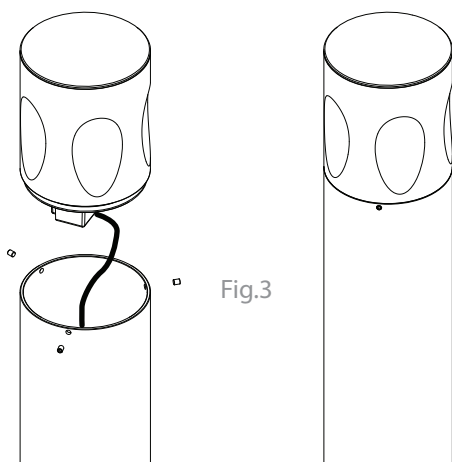
NB. Top of Pole is indicated by the 3 fixing Grub Screws

Draw the power supply cable up through the centre of the canister ready for connection to the luminaire.

Once ground works are complete and the pole is set in place. Draw supply cable through Pole allowing an extra 200mm (8") minimum of cable above the top of the pole. Now make a waterproof connection to the luminaire input cable. (See Fig.2).



Finish installation by securing the Luminaire head/ Cap to the top of the pole with Grub screws provided. (See Fig.3).



Replacing LED Chips

A: First remove the small grub screw immobilising the Top Cap. Now unscrew the Top Cap

B: Unscrew the Threaded Cap holding in the Light Engine (Of which there will be 5).

C: Once the Threaded Cap is undone, pull the Series pot and heat sink out of the Bollard Head. (If you are having trouble you can use a finger to gently push on the lens to help move the parts from the cavity. Be sure to take note of the Lens and Gasket placement for reinstallation).

D: You will now be able to undo the 2 M2 Cap screws holding the Board. Replace the LED Board with the new one.

Reverse the above 4 steps to reinstall. Be sure to take note of the order in which the components came out and insure they go back in the same order.

DO NOT water blast/jet wash this fixture under any circumstances.

