

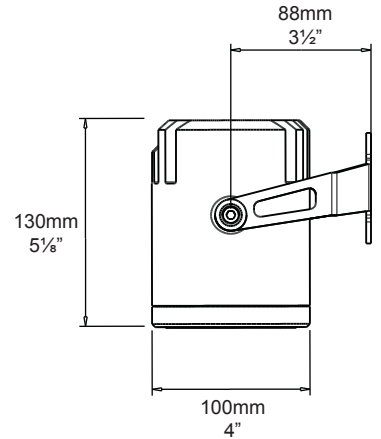
RGBW Spot ULTRA 35

SPECIFICATIONS



LED Chip	LED ENGIN LZP RGBW field replaceable LED board
Luminaire Output	1400 total Lumens @ 350mA (26 watts) all colours on, delivered from the Luminaire with unobstructed beam
Lumens Per Watt	54 Lumens minimum @ 26 watts, delivered from Luminaire with unobstructed beam
CRI (3000K)	RGBW (White 75)
Colour Temperatures	RGBW (White CCT 6500)
Beam Angles	13, 30, 40
Ingress Protection	IP66

Warranty	Electronics = 5 years Body Aluminium = 5 years
Standards	BS/EN 60598.2.2 cUL 2108 CE



The Ultra 35 RGBW Spot must be specified with a mounting accessory.

PRODUCT CONFIGURATION

Please fill in appropriate codes into boxes provided

Cat. No. S/U35/RGBW

Luminaire	Power	Material/ Finish	Beam	Colour	Accessories
S/U35/RGBW					
SR 350mA Input, Series Wired 26W		ALUMINIUM EBK BLACK EBZ BRONZE EOGR OLIVE GREEN EWH WHITE EWB WHITE BIRCH EDG DARK GREY ESTAR SILVER STAR ECT CORTEN	13 13° 30 30° 40 40°	RGBW	CJK CABLE JOINT KIT ULT35GG GLARE GUARD HCL/U35 HEX CELL LOUVRE ULT35SNT SNOOT PB/U35 POLE BRACKET* ULT35SPK SPIKE* ULT35WP WALL PLATE*

SERIES REMOTE DRIVER INCLUDED, SUPPLIED AND PRICED SEPARATE TO FIXTURE.

PLEASE SPECIFY ONE OF THE BELOW:

SRPC-2108-150CCF
Click here for specification sheet.

PWR106S1
Click here for specification sheet.

*Must be specified with a mounting accessory

ADDITIONAL COMMENTS:

LUMINAIRE CONSTRUCTION

CNC machined from one of the following metals:

Aluminium:

Body: 101mm (4") high corrosion resistant aluminium rod with chromate substrate and high UV resistant polyester powder coat.
Colours: Black, Bronze, Silver Star, White, White Birch, Olive Green, Dark Grey, Corten.

316 Stainless Steel:

Bracket: laser cut and folded 316 stainless steel.

Adjustability:

The fully adjustable head allows 120 degree rotation and 0-120 degree elevation.

Cable:

Water resistant rubber.

Gaskets:

Silicone, iron impregnated 220°C (428°F).

Step Lens:

12mm (1/2") extra clear, low iron, shatter resistant glass.
Lifetime warranty.

Mounting:

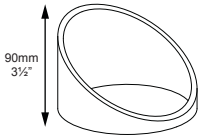
The mounting bracket is fixed to the surface using two stainless steel screws.
Pole Bracket - mount to pre-installed poles.
Spike - mount into the earth/soft ground.
Wall Plate - mount over junction boxes.

Luminaire Weight:

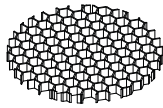
4kg (9lb)

ACCESSORIES

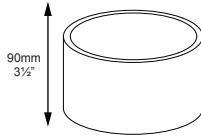
*Must be specified with a mounting accessory



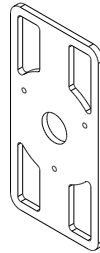
Glare Guard



Hex Cell Louvre



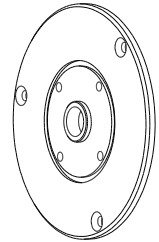
Snoot



Pole Bracket*



Spike*

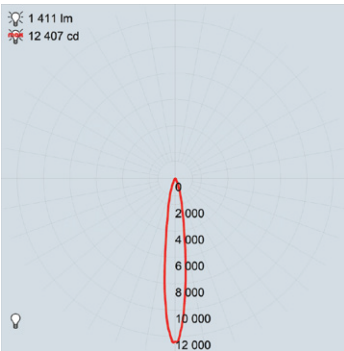


Wall Plate*
127mm (5")

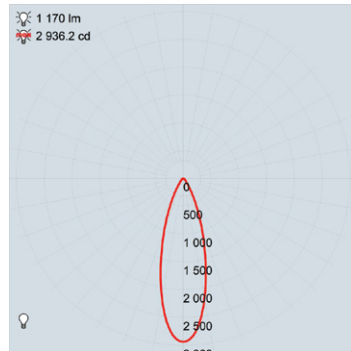
BEAM ANGLES

High efficiency Reflectors. Field replaceable

IES files available for download: <http://www.hunzalighting.com/download.php>



13° FWHM
TIR

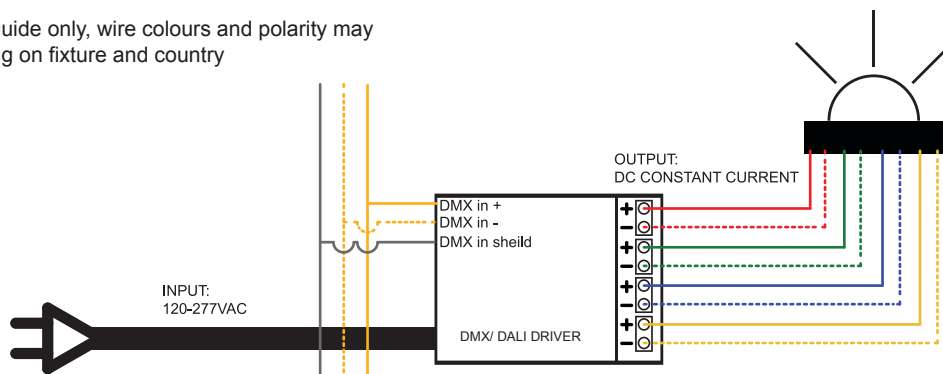


30° FWHM
TIR

WIRING GUIDE

Available for download: www.hunzalighting.com/download.php

Diagrams are a guide only, wire colours and polarity may change depending on fixture and country



Specifications may change without notification

Aug 2017