

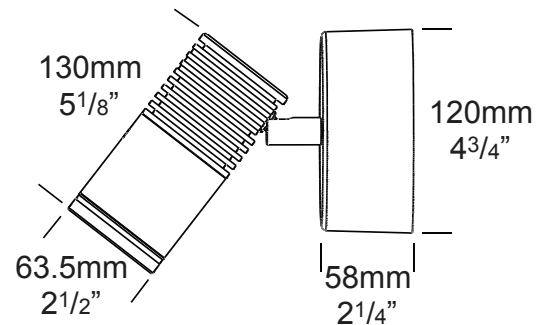
Wall Spot High Power PURE LED

PROJECT:
TYPE:
SOURCE:
NOTES:

SPECIFICATIONS



LED Chip	Cree CXA1512 Plug and Play field replaceable LED board
Luminaire Output	1200 Lumens @ 700mA (12 watts), delivered from luminaire with unobstructed beam.
Lumens Per Watt	100 Lumens minimum @ 12 watts, delivered from luminaire with unobstructed beam
CRI (3000K)	85+ Standard, 90+ Optional
Colour Temperatures	2700K, 3000K, 4000K
Beam Angles	15, 30, 40
Ingress Protection	IP66



Warranty	Electronics = 5 years Body Aluminium = 5 years
Standards	AS/NZS 61046, EN60598 cUL 1838, 2108, 1598 CSA C22.2 No. 250.7, No. 250.0-08, No. 250.0 CE

PRODUCT CONFIGURATION

Please fill in appropriate codes into boxes provided

Cat. No. WS/HP

Luminaire	Power	Material/Finish	Beam	Colour	Accessories
<input type="text" value="WS/HP"/>	<input type="text"/>	<input type="text"/>	<input type="text"/>	<input type="text"/>	<input type="text"/>
<ul style="list-style-type: none"> <input type="checkbox"/> SR SERIES REMOTE DRIVER <input type="checkbox"/> R RETRO, 110/240V DRIVER <input type="checkbox"/> D24 24VDC DRIVER 		<ul style="list-style-type: none"> <input type="checkbox"/> EBK BLACK <input type="checkbox"/> EBZ BRONZE <input type="checkbox"/> EOGR OLIVE GREEN <input type="checkbox"/> EWH WHITE <input type="checkbox"/> EWB WHITE BIRCH <input type="checkbox"/> EDG DARK GREY <input type="checkbox"/> ESTAR SILVER STAR <input type="checkbox"/> ECT CORTEN 	<ul style="list-style-type: none"> <input type="checkbox"/> 15 15° <input type="checkbox"/> 30 30° <input type="checkbox"/> 40 40° 	<ul style="list-style-type: none"> <input type="checkbox"/> 2 2700K <input type="checkbox"/> 3 3000K <input type="checkbox"/> 4 4000K <input type="checkbox"/> 39 3000K, 90+ CRI 	<ul style="list-style-type: none"> <input type="checkbox"/> LKN LOCKING KNUCKLE <input type="checkbox"/> HCL HEX CELL LOUVRE <input type="checkbox"/> SNT SNOOT <input type="checkbox"/> GG GLARE GUARD <input type="checkbox"/> LF FROSTED LENS <input type="checkbox"/> CJK CABLE JOINT KIT

SERIES REMOTE DRIVER:
Constant current driver (included) individual fixtures require 18vdc @ 700mA maximum. 0-10 volt dimming.

RETRO 110/240VAC DRIVER:
Constant current driver (included).
Input: 90/305vac, 13 watt total (driver included).
Output: 18vdc, 700mA
0-10 volt dimming.

24VDC DRIVER:
Input: 24vdc.
Output: 18vdc @ 700mA constant current (non dimming).
Note: not for USA.

ADDITIONAL COMMENTS:

LUMINAIRE CONSTRUCTION

CNC machined from one of the following metals:

Aluminium:

Body: high corrosion resistant 63.5mm solid aluminium tube with chromate substrate and high UV resistant polyester "E" powder coat.
Colours:

Black, Bronze, Silver Star, White, White Birch, Olive Green, Dark Grey, Corten.

Locking Knuckle:

360° rotation and 0-90° elevation, solid brass with anti rust spring.

Lens:

10mm (3/8") Extra clear, low iron, shatter resistant glass.

Lifetime warranty

Gaskets:

Silicone, iron impregnated 220°C (428°F)

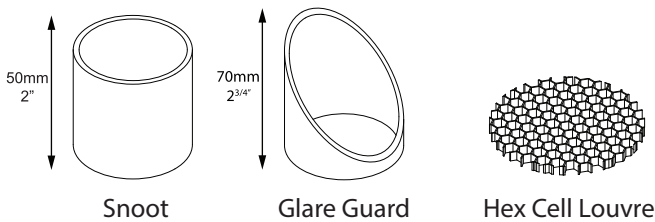
Mounting:

A mounting plate is fixed to the wall using two screws and the luminaire is fitted to the mounting plate.

Luminaire Weight:

Low voltage:
Alum: 0.870 (1lb 15oz)

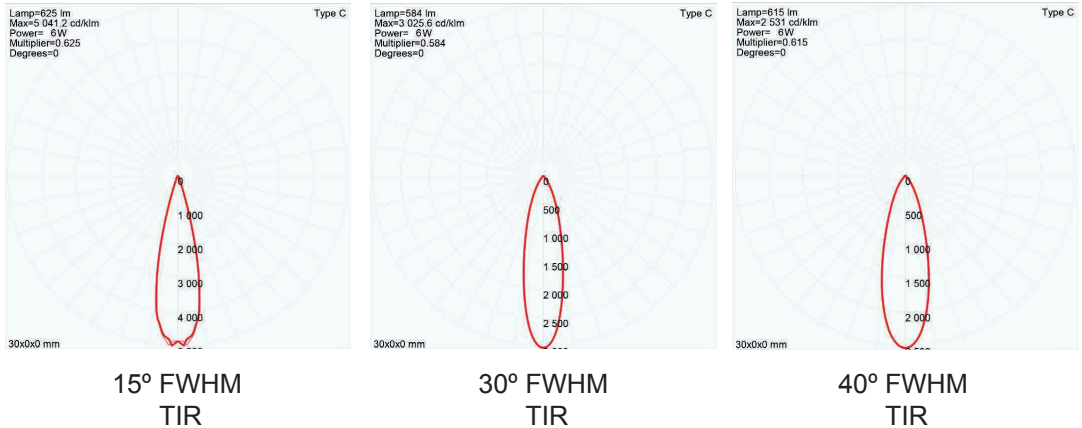
ACCESSORIES



BEAM ANGLES

High efficiency PMMA TIR lenses. Field replaceable

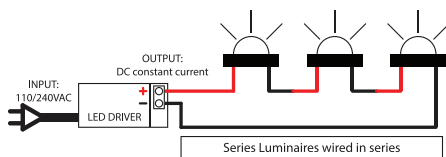
IES files available for download: hunzalighting.com/downloads



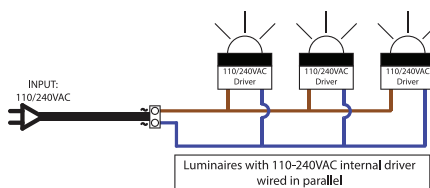
WIRING GUIDE

Available for download: hunzalighting.com/downloads

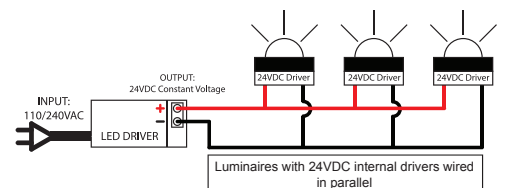
Series/remote driver



110/240v integral driver



24vdc integral driver



Diagrams are a guide only, wire colours and polarity may change depending on fixture and country

Specifications may change without notification

Aug 2017