

## Tilting Eave Square 6w PURE LED

PROJECT:

TYPE:

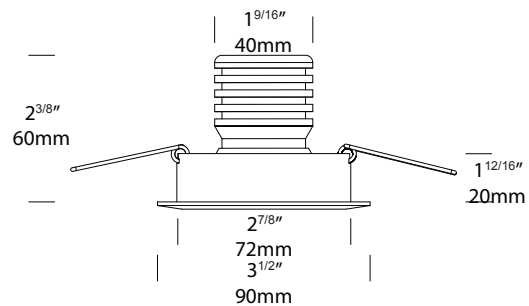
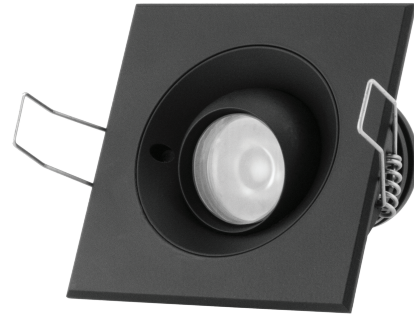
SOURCE:

NOTES:

### SPECIFICATIONS



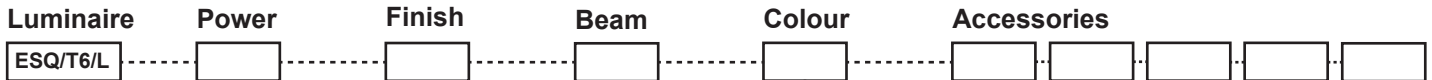
<b>LED Chip</b>	Cree XHP-50-2 Plug and Play field replaceable LED board
<b>Luminaire Output</b>	600 Lumens @ 1050mA (6 watts), 420 Lumens @ 700mA (4 watts), 240 Lumens @ 350mA (2 watts), delivered from luminaire with unobstructed beam.
<b>Lumens Per Watt</b>	100 Lumens @ 6 watts minimum, delivered from luminaire with unobstructed beam
<b>CRI (3000K)</b>	90+
<b>Colour Temperatures</b>	2700K, 3000K, 4000K
<b>Beam Angles</b>	15, 25, 38, 60
<b>Ingress Protection</b>	IP66
<b>Warranty</b>	Electronics = 5 years Flange Cop / SS = 10 years Body Aluminium = 5 years
<b>Standards</b>	AS/NZS 61046 cUL 2108 CSA C22.2 No. 250.0-08 CE



### PRODUCT CONFIGURATION

Please fill in appropriate codes into boxes provided

Cat. No. ESQ/T6/L



- S SERIES, REMOTE DRIVER
- D3 12VAC, 2W INTEGRAL
- D7 12VAC, 4W INTEGRAL
- D10 12VAC, 6W INTEGRAL
- DC7 9-36VDC, 700mA

- ALUMINIUM**
- EBK BLACK
  - EBZ BRONZE
  - EOGR OLIVE GREEN
  - EWH WHITE
  - EWB WHITE BIRCH
  - EDG DARK GREY
  - ESTAR SILVER STAR
  - ECT CORTEN
- COP SOLID COPPER**  
**SS STAINLESS STEEL**

- 15 15°
- 25 25°
- 38 38°
- 60 60°

- 2 2700K
- 3 3000K
- 4 4000K

- LF FROSTED LENS
- CJK CABLE JOINT KIT

**SERIES, REMOTE DRIVER REQUIRED:**  
Constant current driver  
Individual fixtures require 6vdc @ 1050mA maximum

**12VAC INTEGRAL DRIVER:**  
Hunza integrated plug and play driver (included)  
Input: 9-15VAC, 7watt total  
Output: 6vdc @ D3=350mA, D7=700mA, D10=1050mA (1050mA limited to ≤ 40°C (104°F) ambient temperature in stainless steel)

**24VAC INTEGRAL DRIVER:**  
Hunza integrated plug and play driver (included)  
Input: 9-36vdc, 7 watt total  
Output: 6vdc nominal, 700mA

[Click for here Remote Power Supply Guidance Charts](#)

# LUMINAIRE CONSTRUCTION

**CNC machined from one of the following metals:**

**Aluminium:**

Body: 45mm (1<sup>3/4"</sup>) anodised aluminium  
 Flange: 90mm x 90mm (3<sup>1/2"</sup> x 3<sup>1/2"</sup>) high corrosion resistant solid aluminium square bar with chromate substrate and high UV resistant polyester powder coat.

Colours:

Black, Bronze, Silver Star, White, White Birch, Olive Green, Dark Grey, Corten.

**Copper:**

Flange: 90mm x 90mm (3<sup>1/2"</sup> x 3<sup>1/2"</sup>) solid copper square bar.

**316 Stainless Steel:**

Flange: 90mm x 90mm (3<sup>1/2"</sup> x 3<sup>1/2"</sup>) 316 stainless steel square bar.

**Lens:**

8mm extra clear, low iron, glass lens.  
 Lifetime Warranty.

**Gaskets:**

Silicone, iron impregnated 220°C (428°F)

**Mounting:**

This fitting is designed to fit through a 72mm (2") holes and be fixed into position by two spring clips.

**Luminaire Weight:**

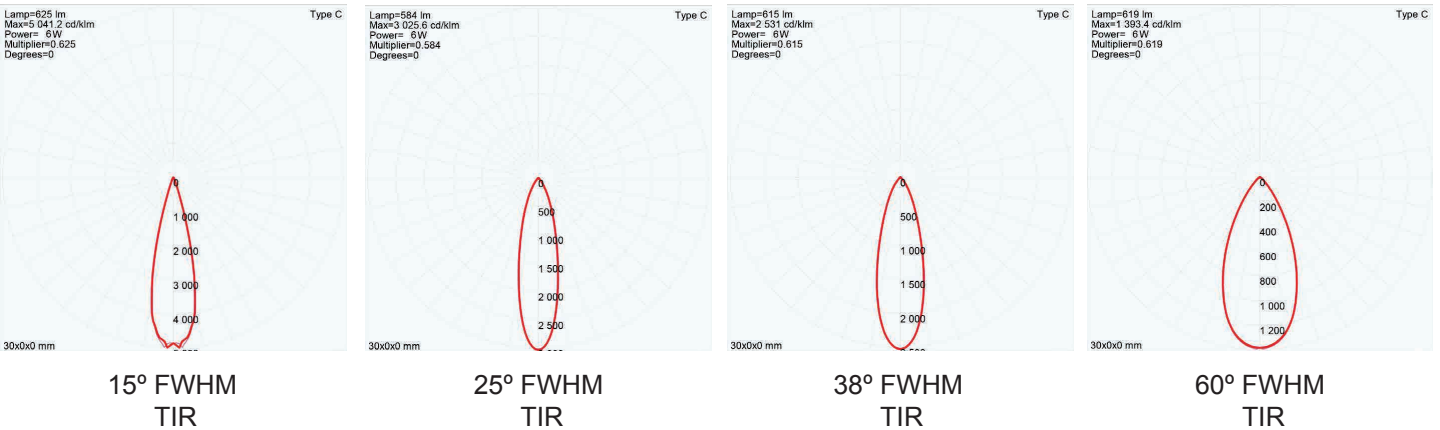
Low voltage  
 Alum: 0.300kg (11oz)  
 Cop: 0.800kg (1lb 12oz)  
 SS: 0.750kg (1lb 10oz)

## ACCESSORIES

## BEAM ANGLES

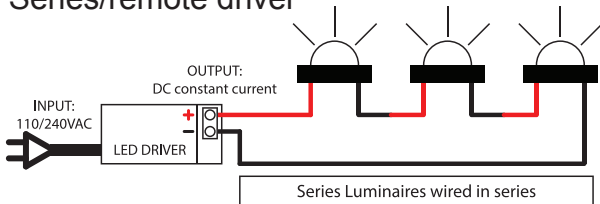
High efficiency PMMA TIR lenses. Field replaceable

IES files available for download: [hunzalighting.com/downloads](http://hunzalighting.com/downloads)



## WIRING GUIDE

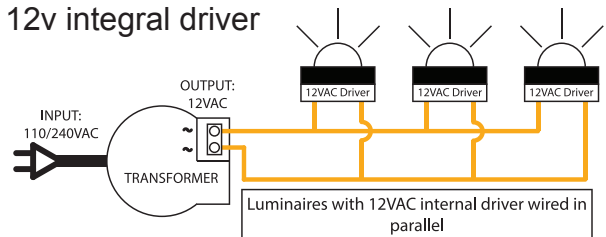
Series/remote driver



Diagrams are a guide only, wire colours and polarity may change depending on fixture and country

Available for download: [hunzalighting.com/downloads](http://hunzalighting.com/downloads)

12v integral driver



Specifications may change without notification

Aug 2017