

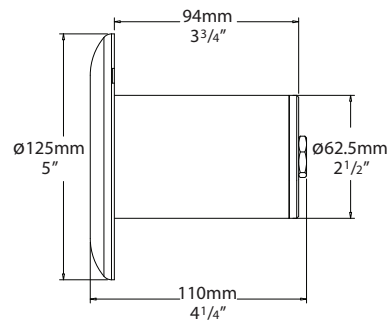
Pool Lite High Power PURE LED

PROJECT:
TYPE:
SOURCE:
NOTES:

SPECIFICATIONS



LED Chip	Cree CXA1512 Plug and Play field replaceable LED board
Luminaire Output	1200 Lumens @ 700mA, delivered from luminaire with unobstructed beam.
Lumens Per Watt	100 Lumens minimum @ 12 watts, delivered from luminaire with unobstructed beam
CRI (3000K)	85+ Standard, 90+ Optional
Colour Temperatures	2700K, 3000K, 4000K
Beam Angles	15, 30, 40
Ingress Protection	IP68

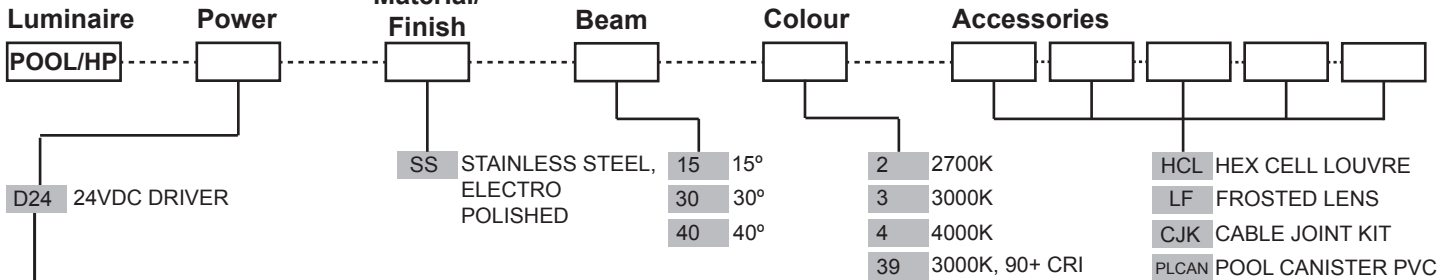


Warranty	Electronics = 5 years Body Stainless Steel = 5 years
Standards	AS/NZS 61046

PRODUCT CONFIGURATION

Please fill in appropriate codes into boxes provided

Cat. No. POOL/HP



24VDC DRIVER:
Input: 24vdc.
Output: 18vdc @ 700mA constant current (non dimming).
Note: not for USA.

ADDITIONAL COMMENTS:

LUMINAIRE CONSTRUCTION

CNC machined from one of the following metals:

316 Stainless Steel:

Body: 63.5mm (2 1/2") x 9mm (3/8").
End cap: solid 316 stainless steel 63.5 (2 1/2") rod, electro polished to increase corrosion protection by up to 33%.

Canister:

CNC machined from engineering grade PVC with moulded PVC end cap which has 20mm (3/4") conduit entry for electrical connections.

Lens:

10mm (3/8") extra clear, low iron, shatter resistant glass.
Lifetime warranty.

Gaskets:

Silicone, iron impregnated 220°C (428°F).

Mounting:

The PVC mounting canister is suitable for installation into three different types of pool wall. Fibre glass pools, existing concrete pools and new concrete pools.

Cable:

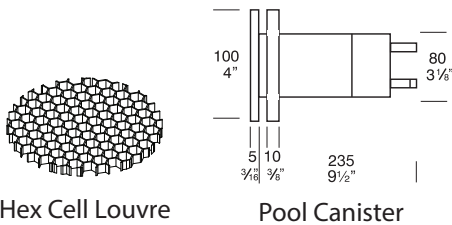
Standard 6 meters
Water resistant rubber

Luminaire Weight:

SS: 1.885kg (4lb 2oz)

WARNING - out of balance pool chemicals may cause the luminaire to corrode at a rapid rate. In salt water an increase in water temperature of 10 degrees will double the corrosion factor. 316 stainless steel is suitable for situations of up to 1000 parts per million of chloride. Where an automatic chlorinator is employed an excess amount of chlorine may be produced. The Hunza Pool Lite is electro polished to increase corrosion protection.

ACCESSORIES



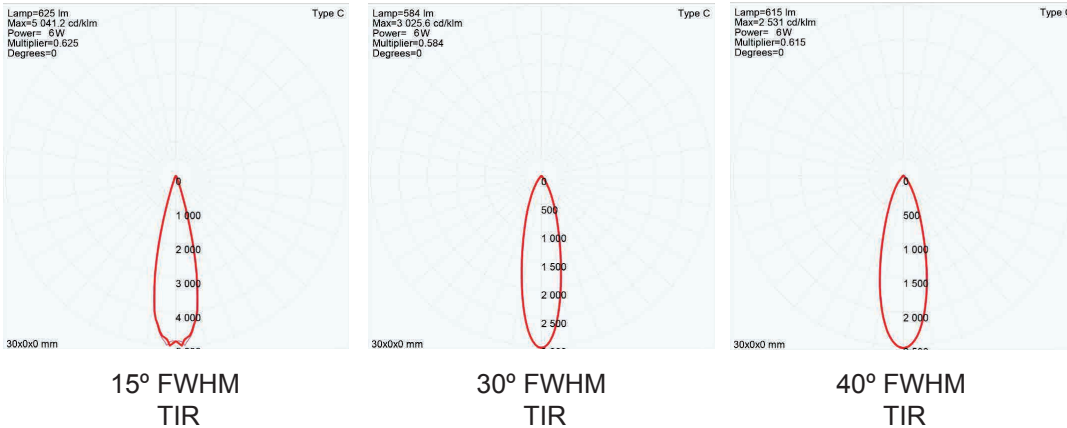
Hex Cell Louvre

Pool Canister

BEAM ANGLES

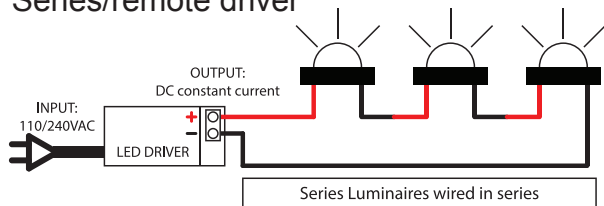
High efficiency PMMA TIR lenses. Field replaceable

IES files available for download: hunzalighting.com/downloads



WIRING GUIDE

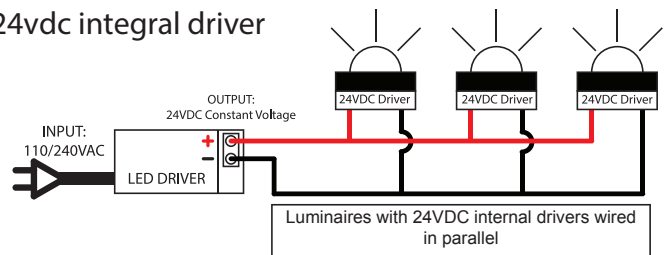
Series/remote driver



Diagrams are a guide only, wire colours and polarity may change depending on fixture and country

Available for download: hunzalighting.com/downloads

24vdc integral driver



Specifications may change without notification

Aug 2017