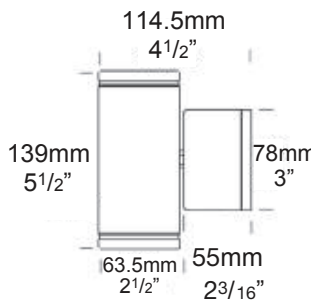
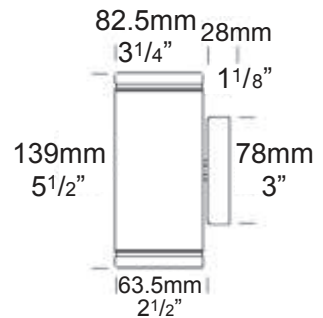


## Pillar Lite

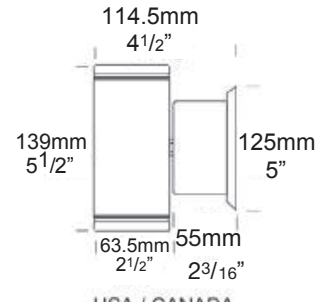
PROJECT:
TYPE:
SOURCE:
NOTES:

### PURELED SPECIFICATIONS PER END

<b>LED Chip</b>	Cree XHP-50-2 Plug and Play field replaceable LED board
<b>Luminaire Output Per Head</b>	600 Lumens @ 1050mA (6 watts), 420 Lumens @ 700mA (4 watts), 240 Lumens @ 350mA (2 watts), delivered from luminaire with unobstructed beam.
<b>Lumens Per Watt</b>	100 Lumens minimum @ 6 watts, delivered from luminaire with unobstructed beam
<b>CRI (3000K)</b>	90+
<b>Colour Temperatures</b>	2700K, 3000K, 4000K
<b>Beam Angles</b>	15, 25, 38, 60
<b>Ingress Protection</b>	IP66
<b>Warranty</b>	Electronics = 5 years Body Cop/ SS = 10 years Body Aluminium = 5 years
<b>Standards</b>	AS/NZS 61046 cUL 1838, 2108, 1598 CSA 22.2 No. 250.7, No. 250.0-08, No. 250.0 CE



Retro



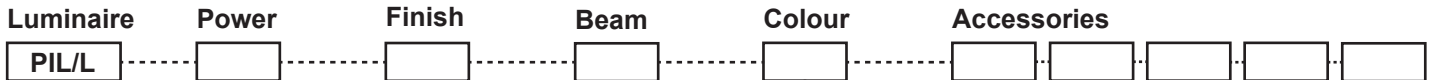
USA / CANADA

Retro

### PRODUCT CONFIGURATION

Please fill in appropriate codes into boxes provided

Cat. No. PIL/L



- S SERIES, REMOTE DRIVER
- D3 12VAC, 2W INTEGRAL
- D7 12VAC, 4W INTEGRAL
- D10 12VAC, 6W INTEGRAL
- R RETRO, 110/240V DRIVER

**SERIES, REMOTE DRIVER REQUIRED:**  
Constant current driver  
Individual fixtures require 12vdc @ 1050mA maximum

**12VAC INTEGRAL DRIVER:**  
Hunza integrated plug and play driver (included)  
Input: 9-15VAC.  
Output: 6vdc @ D3=350mA, D7=700mA, D10=1050mA (1050mA limited to ≤ 40°C (104°F) ambient temperature in stainless steel)

**110/240VAC RETRO DRIVER:**  
Input: 120/240vac, 5 watt total (driver included)  
Output: 12vdc, 700mA  
0-10 volt dimming (USA - non dimming)

- Material/Finish**
- ALUMINIUM
    - EBK BLACK
    - EBZ BRONZE
    - EOGR OLIVE GREEN
    - EWH WHITE
    - EWB WHITE BIRCH
    - EDG DARK GREY
    - ESTAR SILVER STAR
    - ECT CORTEN
  - COP SOLID COPPER
  - SS STAINLESS STEEL

- Beam**
- 15 15°
  - 25 25°
  - 38 38°
  - 60 60°

- Colour**
- 2 2700K
  - 3 3000K
  - 4 4000K

- Accessories**
- HCL HEX CELL LOUVRE
  - SNT SNOOT
  - GG GLARE GUARD
  - LF FROSTED LENS
  - WBAP WALL BOX ADAPTOR
  - CJK CABLE JOINT KIT
  - TLTM TILTING MODULE

#### OTHER LAMP OPTIONS:

- PIL/H - MR16 Halogen 12V Lamp
- PIL/SL - MR16 LED Retrofit 12V Lamp (lamps vary by market - please refer to supplier for details)
- PIL/GUH - GU10 120/240V Halogen Lamp (body length increases for all GU10 lamps)
- PIL/GUSL - GU10 LED Retrofit 120/240V Lamp (lamps vary by market - please refer to supplier for details)

[Click here for halogen specification sheet](#)

[Click here for Remote Power Supply Guidance Charts](#)

# LUMINAIRE CONSTRUCTION

**CNC machined from one of the following metals:**

**Aluminium:**

Body: high corrosion resistant 63.5mm (2<sup>1/2</sup>" ) x 10mm (3/8") aluminium.

End cap: solid aluminium 63.5mm (2<sup>1/2</sup>" ) rod.  
Base and Mounting Plate (Retro™): handspun 2mm (5/64") aluminium. Base cast from virgin CC401 low copper aluminium alloy chromate substrate and high UV resistant polyester powder coat.

Colours:

Black, Bronze, Silver Star, White, White Birch, Olive Green, Dark Grey, Corten.

**Copper:**

Body: 63.5mm (2<sup>1/2</sup>" ) x 10mm (3/8").

Base and Mounting Plate (Retro™): handspun 2mm (5/64") copper disk and forged brass.

**316 Stainless Steel:**

Body: 63.5mm (2<sup>1/2</sup>" ) x 9mm (3/8").

End cap: solid 316 stainless steel 63.5 (2<sup>1/2</sup>" ) rod.

Base and Mounting Plate (Retro™): investing cast and CNC machined 316 stainless steel.

**Step Lens:**

10mm (3/8") extra clear, low iron, shatter resistant glass.

Lifetime warranty

**Gaskets:**

Silicone, iron impregnated 220°C (428°F)

**Mounting:**

12 volt: the luminaire is mounted to the wall using two 316 stainless screws through a shallow base 28mm (1<sup>1/8</sup>" ) in depth.

Retro™ (110/240-12volt): a mounting plate is fixed to the wall using two screws and the luminaire is fitted to the mounting plate.

**Luminaire Weight:**

Low voltage

Alum: 0.775kg (1lb 11oz)

Cop: 2.300kg (5lb 1oz)

SS: 1.750kg (3lb 14oz)

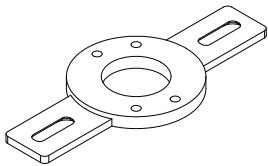
Retro™

Alum: 1.100kg (2lb 7oz)

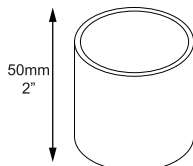
Cop: 2.650kg (5lb 13oz)

SS: 2.200kg (4lb 14oz)

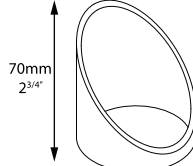
## ACCESSORIES



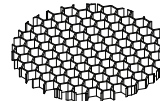
Wall Box Adaptor



Snoot



Glare Guard

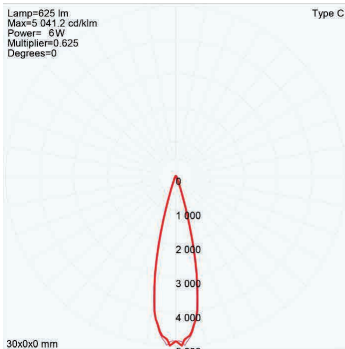


Hex Cell Louvre

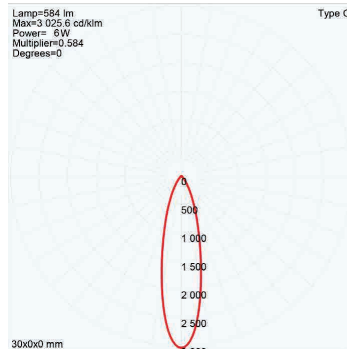
## BEAM ANGLES

High efficiency PMMA TIR lenses. Field replaceable

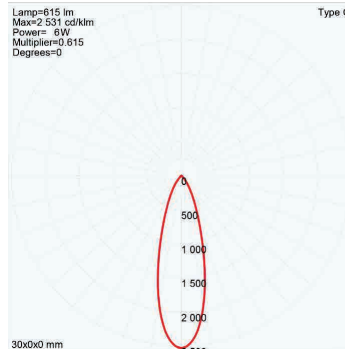
IES files available for download: [hunzalighting.com/downloads](http://hunzalighting.com/downloads)



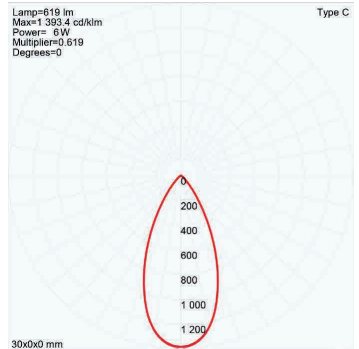
15° FWHM TIR



25° FWHM TIR



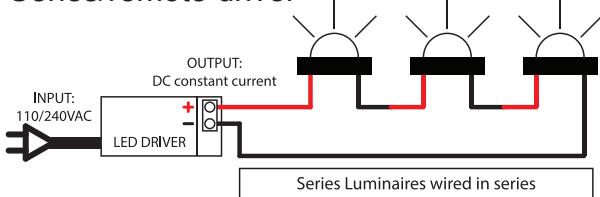
38° FWHM TIR



60° FWHM TIR

## WIRING GUIDE

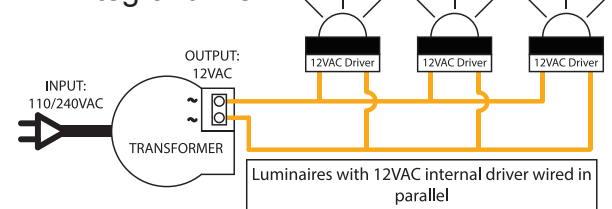
Series/remote driver



Series Luminaires wired in series

Available for download: [hunzalighting.com/downloads](http://hunzalighting.com/downloads)

12v integral driver



Luminaires with 12VAC internal driver wired in parallel

Diagrams are a guide only, wire colours and polarity may change depending on fixture and country

Specifications may change without notification

Aug 2017