

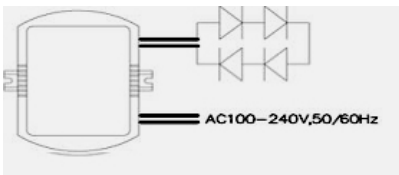
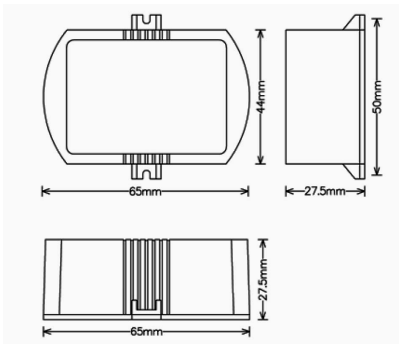
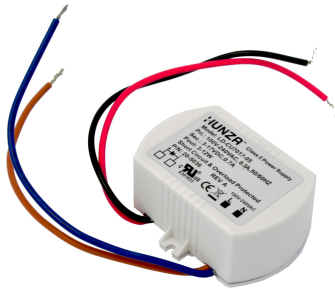
Magtech

Constant Current

120V Retro Driver

700mA

Cat. No. LD-CU7017-05



The Magtech LD-CU7017-05 is a 700mA constant current driver supplied with Hunza 120V PURE LED Retro fixtures. It includes over temperature protection, short-circuit protection, waterproof potting and a PC plastic case. Not dimmable.

Input:

Voltage Range (VAC)	100V-240Vac \pm 6%
Frequency Range (Hz)	50Hz/60Hz
AC Current	0.3A@115VAC / 0.15A@230VAC
Max. Inrush Current	18A
Leakage Current	<1mA / 240 Vac

Output:

Voltage Range (VDC)	3-17 Vdc
Rated Current Range (mA)	700mA \pm 6%
Rated Power (W)	12W
Weight	0.12kg (4oz)
Efficiency (Typ.)	75%
Ambient Temp.	- 20°C~+50°C full load .

Standards:

IP65, c  us

Ordering Code:

LD-CU7017-05

HUNZA™ PURE
OUTDOOR
LIGHTING

HUNZA FACTORY
130 Felton Mathew Ave
Glen Innes
Auckland 1072
New Zealand

Ph: 64-9-528 9471
Fax: 64-9-528 9361
hunza@hunza.co.nz
www.hunzaligning.com

INTERNATIONAL CONTACTS:
www.hunzaligning.com/contact.php
Specifications may change without notice.
Manufactured in New Zealand.
2016 Hunza Productions Ltd.