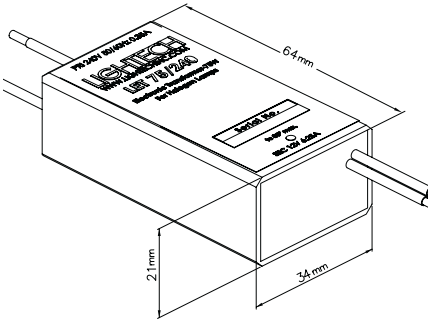


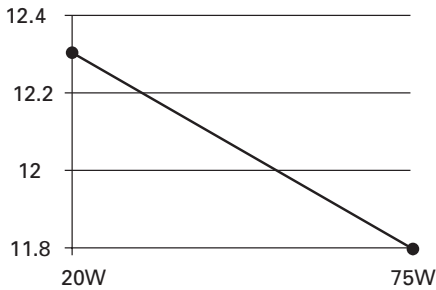
HET75

240V Retro Transformer

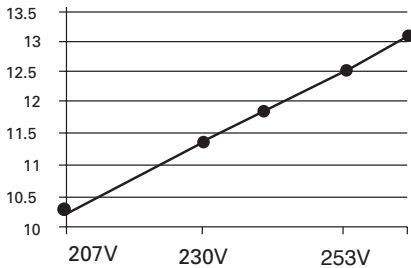
Cat. No. HET75



Output Voltage vs. Load at



Output vs. Input at Max.



The Hunza HET75 is a 75 Watt electronic transformer supplied with Hunza 240 Volt Retro Halogen fixtures. Includes electronic, internal resettable short circuit protection, auto-reset thermal cut-off at 125°C, waterproof potting, and a PC plastic casing. Dimmable.

Maximum load	75W
Minimum load with dimmer	20W
Input	216-264V, 50-60Hz
Output at Max. load	11.8V 40kHz
Input current at Max. load	0.32A
Output current at Max. load	6.25A
Power factor Min.	0.95
Weight:	0.1kg (3oz)
Standards:	IP44, CE
Tc Max	80°C
Ta Max	50°C

Output wire – Black 16AWG 150°C,
Input wire – Blue, Brown Fep+Fep 0.75mm² 450V 180°C

Non UL

Ordering Code: HET75

HUNZATM PURE
OUTDOOR
LIGHTING

HUNZA FACTORY
130 Felton Mathew Ave
Glen Innes
Auckland 1072
New Zealand

Ph: 64-9-528 9471
Fax: 64-9-528 9361
hunza@hunza.co.nz
www.hunzalighting.com

INTERNATIONAL CONTACTS:
www.hunzalighting.com/contact.php
Specifications may change without notice.
Manufactured in New Zealand.
2016 Hunza Productions Ltd.