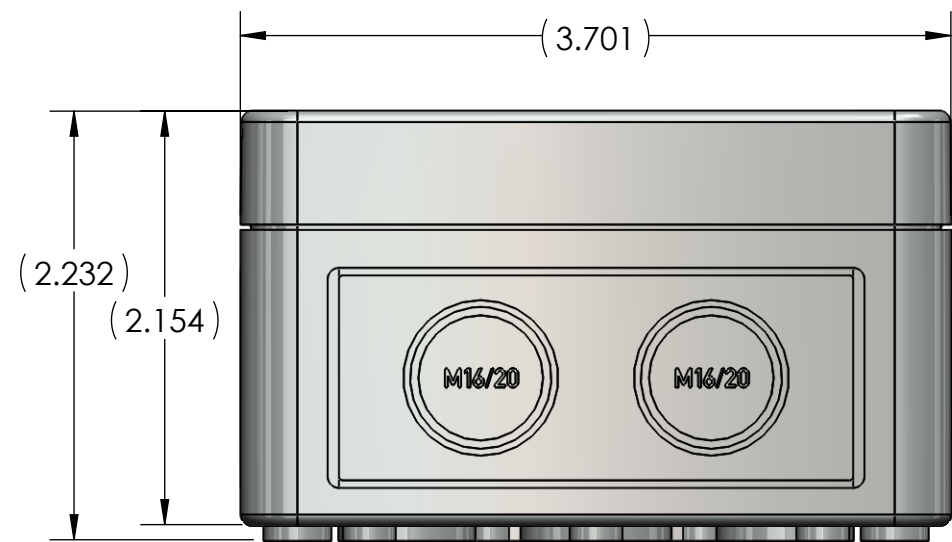
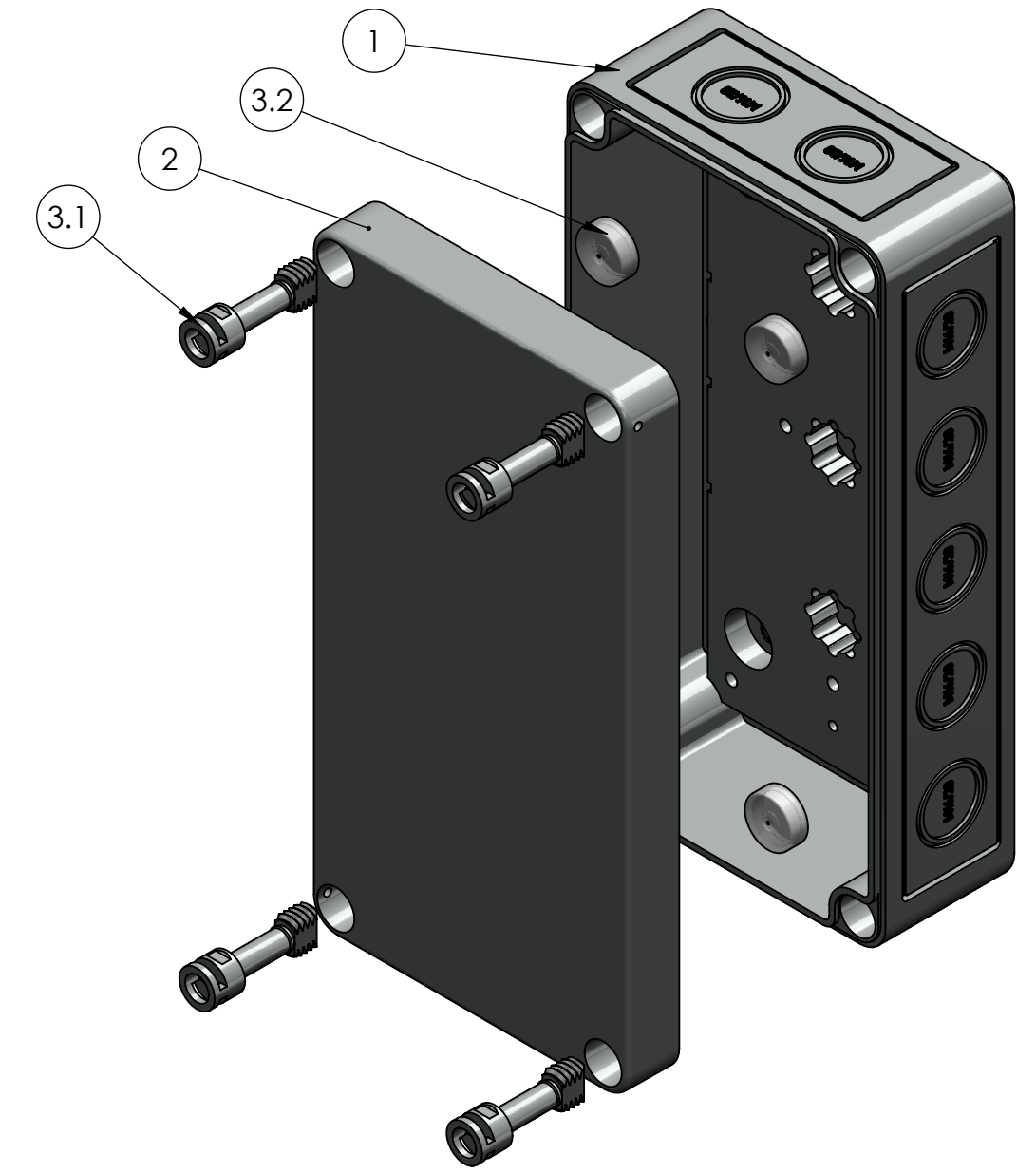
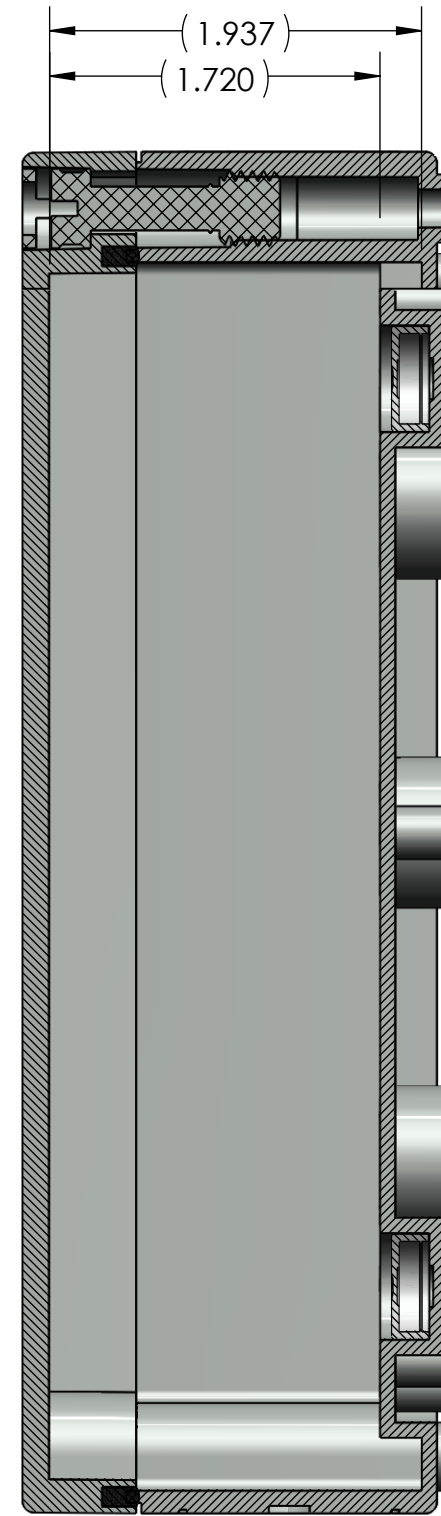
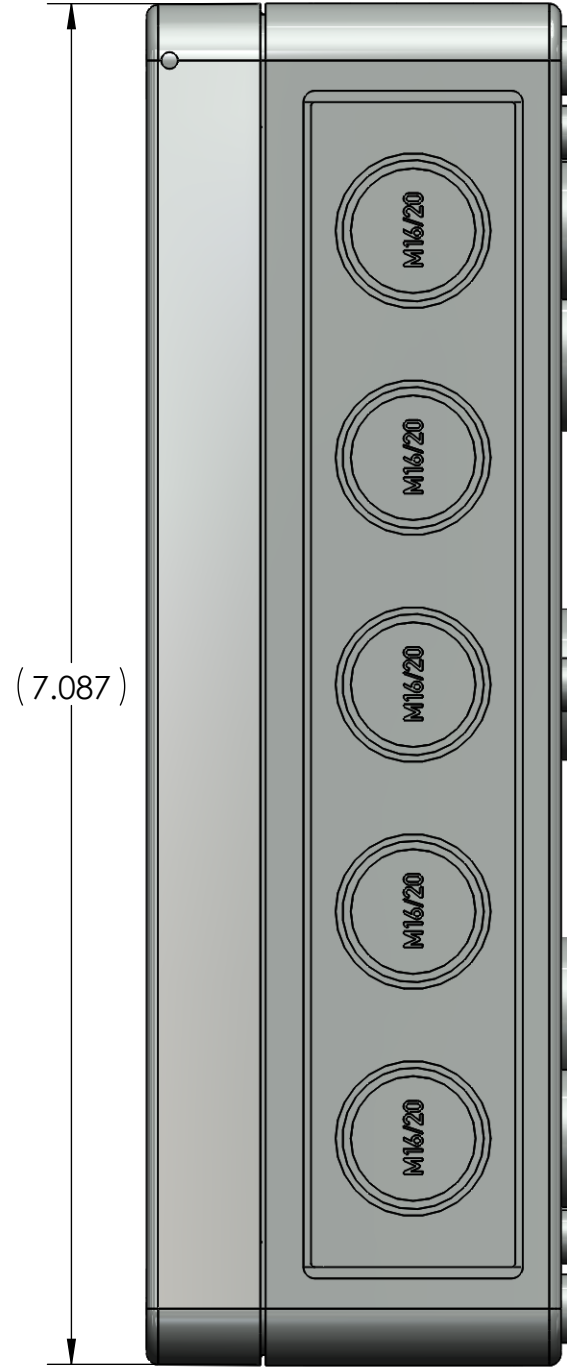


# POLYCASE

## Cat No PC-17-02



UNLESS OTHERWISE SPECIFIED: DIMENSIONS ARE IN: INCHES[mm] TOLERANCES: ANGULAR: ±2° TWO PLACE DECIMAL: ±.010 THREE PLACE DECIMAL: ±.005 PRINTED GRAPHICS: ±.010		PART NO. SEE BOM		 <small>1305 CHESTER RD. PARKWAY AVON, OHIO 44011-1083 U.S.A. PH: 1-800-248-1233 440-934-0444 FAX: 440-934-0088</small>					
PROPRIETARY AND CONFIDENTIAL THE INFORMATION CONTAINED IN THIS DRAWING IS THE SOLE PROPERTY OF POLYCASE. ANY REPRODUCTION IN PART OR AS A WHOLE WITHOUT THE WRITTEN PERMISSION OF POLYCASE IS PROHIBITED. CAD FILE: SK-17		MATERIAL SEE BOM							
FLAME RATING SEE BOM		SIZE <b>C</b>	REV						
REV.	DESCRIPTION	ZONE	BY	APPR'D	DATE	DRAWN CHECKED	NAME DATE	SCALE: 1:1	SHEET 1 OF 2
REVISIONS						2	8/25/2015 2/5/2013		

