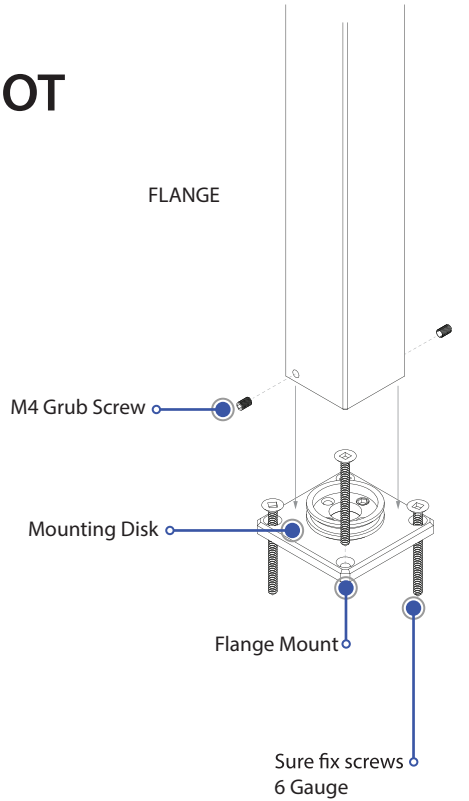
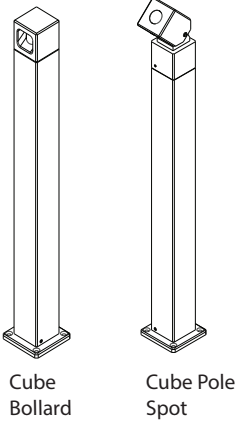


CUBE BOLLARD & POLE SPOT

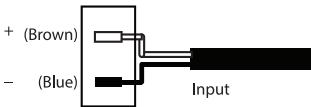
INSTALLATION/MOUNTING INSTRUCTIONS



- Fixtures require 3Vf per fixture, Max 1000mA
- Remote driven series wiring OR 12V integral driver

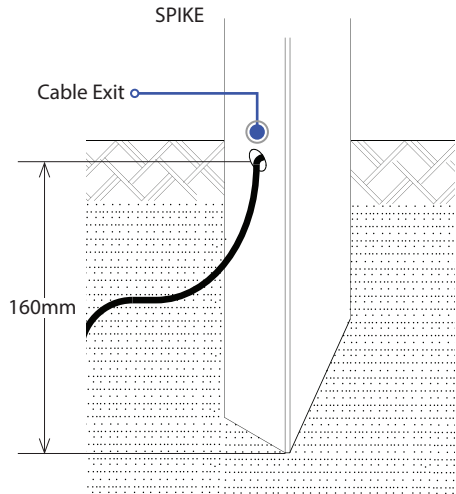
1) Fix Flange Mount to ground/wall with 6 Gauge Screws

2) Draw input cable through Flange Mount and connect to the fixture cables



3) Square Pole over mounting disk. Rotate to position before fixing in place. Secure in place using M4 Grub Screws

4) Position head to appropriate angle and fix using M3 Grub Screws (POLE SPOT ONLY)



NOTE: DO NOT clean Quartz or Cloak Lenses with Petrochemical Substances
DO NOT water blast/jet wash this fixture under any circumstances

When a spike is used, push into substrate with Cable Exit above or below the ground, as desired and make water proof connection