

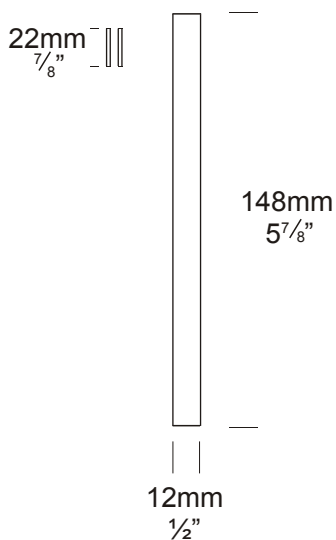
Cable Joint Kit

Cat. No. CJK150



The Cable Joint Kit is designed to join two separate cables together using crimp sleeves and an adhesive heat shrink.

A Cable Joint Kit includes two yellow crimp sleeve (6mm) and a 150mm long 12/4 black adhesive heat shrink.



Features

Crimp Sleeve

Yellow crimp sleeve (6mm).

Heat Shrink

150mm long 12/4 black adhesive heat shrink.