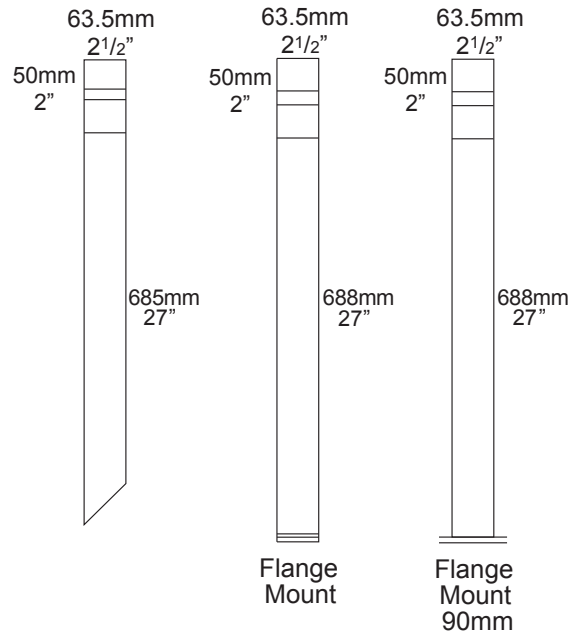


## Bollard 700

PROJECT:
TYPE:
SOURCE:
NOTES:

### PURELED SPECIFICATIONS

<b>LED Chip</b>	Cree XHP-50-2 Plug and Play field replaceable LED board
<b>Luminaire Output</b>	510 Lumens @ 1050mA (6 watts), 340 Lumens @ 700mA (4 watts), 160 Lumens @ 350mA (2 watts), delivered from luminaire with unobstructed beam.
<b>Lumens Per Watt</b>	85 Lumens minimum @ 6 watts, delivered from luminaire with unobstructed beam
<b>CRI (3000K)</b>	90+
<b>Colour Temperatures</b>	2700K, 3000K, 4000K
<b>Beam Angles</b>	360 degrees
<b>Ingress Protection</b>	IP56/IP66
<b>Warranty</b>	Electronics = 5 years Body Cop/ SS = 10 years Body Aluminium = 5 years
<b>Standards</b>	AS/NZS 61046 cUL 1838, 2108 CSA C22.2 No.250.7, No.250.0-08 CE



### PRODUCT CONFIGURATION

Please fill in appropriate codes into boxes provided

Cat. No. BOL700/L

<b>Luminaire</b>	<b>Power</b>	<b>Material/ Finish</b>	<b>Beam</b>	<b>Colour</b>	<b>Accessories</b>
<input type="text" value="BOL700/L"/>	<input type="text"/>	<input type="text"/>	<input type="text"/>	<input type="text"/>	<input type="text"/>
<b>S</b> SERIES, REMOTE DRIVER <b>D3</b> 12VAC, 2W INTEGRAL <b>D7</b> 12VAC, 4W INTEGRAL <b>D10</b> 12VAC, 6W INTEGRAL <b>R</b> RETRO, 110/240V DRIVER		<b>ALUMINIUM</b> <b>EBK</b> BLACK <b>EBZ</b> BRONZE <b>EGR</b> OLIVE GREEN <b>EWB</b> WHITE <b>EDG</b> DARK GREY <b>ESTAR</b> SILVER STAR <b>ECT</b> CORTEN <b>COP</b> SOLID COPPER <b>SS</b> STAINLESS STEEL	<b>360</b> 360°	<b>2</b> 2700K <b>3</b> 3000K <b>4</b> 4000K	<b>CJK</b> CABLE JOINT KIT <b>BOLOP</b> OPAQUE LENS <b>HOOD140</b> HOOD 140MM <b>FM</b> FLANGE MOUNT <b>FM90</b> EXTERNAL FLANGE MOUNT 90

**SERIES, REMOTE DRIVER REQUIRED:**  
Constant current driver  
Individual fixtures require 6vdc @ 1050mA maximum

**12VAC INTEGRAL DRIVER:**  
Hunza integrated plug and play driver (included)  
Input: 9-15VAC.  
Output: 6vdc @ D3=350mA, D7=700mA, D10=1050mA (1050mA limited to ≤ 40°C (104°F) ambient temperature in stainless steel)

**110/240VAC RETRO DRIVER:**  
Input: 120/240vac, 5 watt total (included)  
Output: 6vdc, 700mA  
0-10 volt dimming (USA - non dimming)

**OTHER LAMP OPTIONS:**  
 BOL700/H - MR16 Halogen 12V Lamp  
 BOL700/SL - MR16 LED Retrofit 12V Lamp (lamps vary by market - please refer to supplier for details)  
 BOL700/GUH - GU10 120/240V Halogen Lamp (body length increases for all GU10 lamps)  
 BOL700/GUSL - GU10 LED Retrofit 120/240V Lamp (lamps vary by market - please refer to supplier for details)

[Click here for Remote Power Supply Guidance Charts](#)

[Click here for halogen specification sheet](#)

# LUMINAIRE CONSTRUCTION

## CNC machined from one of the following metals:

### Aluminium:

Body: Solid high corrosion resistant 63.5mm (2½") x 10mm (3/8") aluminium.  
 Pole: 63.5mm (2½") aluminium.  
 End cap: solid aluminium 63.5mm (2½") rod, with chromate substrate and high UV resistant polyester powder coat.  
 Colours:  
 Black, Bronze, Silver Star, White, White Birch, Olive Green, Dark Grey, Corten.

### Copper:

Body: 63.5mm (2½") x 10mm (3/8").  
 Pole: solid copper 63.5mm (2½").  
 End cap: solid copper 63.5mm (2½") rod.

### 316 Stainless Steel:

Body: 63.5mm (2½") x 10mm (3/8").  
 Pole: 316 stainless steel 63.5mm (2½").  
 End cap: solid 316 stainless steel 63.5 (2½") rod.

### Anti-glare Hood:

140mm (5½") x 1.2mm (1/16") handspun aluminium, copper or stainless steel. No upward light or glare projected.

### Lens:

UV stable polycarbonate lens with anti-glare mesh and dual angle reflector projects light horizontally and at 45° onto the ground.

### Gaskets:

Silicone, iron impregnated 220°C (428°F)

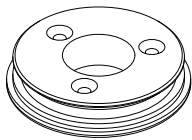
### Mounting:

Set in concrete in the ground or specify with flange mount option, which bolts to concrete, tiling or wooden decks.

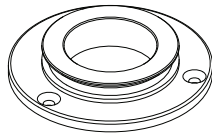
### Luminaire Weight:

Low voltage  
 Alum: 0.870kg (1lb 15oz)  
 Cop: 2.290kg (5lb 1oz)  
 SS: 2.170kg (4lb 13oz)  
 Retro™  
 Alum: 2.700kg (5lb 15oz)  
 Cop: 5.200kg (11lb 7oz)  
 SS: 4.650kg (10lb 4oz)

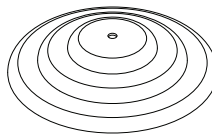
## ACCESSORIES



Flange Mount



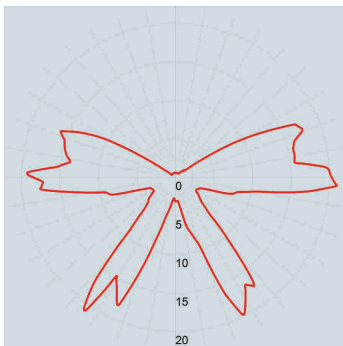
Flange Mount 90



Hood 140mm

## BEAM ANGLES

IES files available for download: [hunzalighting.com/downloads](http://hunzalighting.com/downloads)

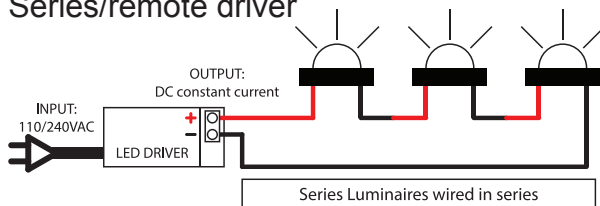


Polycarbonate lens

## WIRING GUIDE

Available for download: [hunzalighting.com/downloads](http://hunzalighting.com/downloads)

### Series/remote driver



Diagrams are a guide only, wire colours and polarity may change depending on fixture and country

### 12v integral driver

