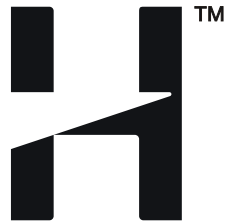
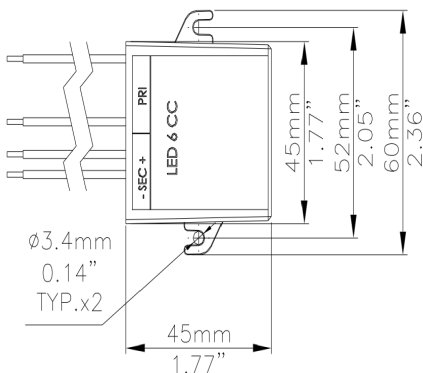
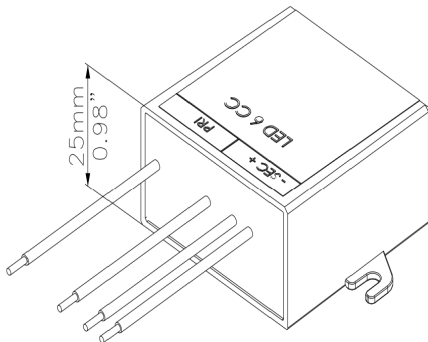


LIGHTTECH

LED-6DC-350

Constant Current
Driver

Cat. No. LED-6DC-350



The GE/Lighttech **LED-6DC-350** is a 6 Watt electronic, constant current, remote driver available to power Hunza series version PURE LED fixtures in the USA market. It is non-dimmable.

For exterior use, it is highly recommended to install this in a weatherproof box, available as an option from Hunza. The PC-17-02 weatherproof box is a requirement for UL compliance.

When this driver is used as a remote power supply, SERIES WIRING is required to connect the fixtures. Please refer to the Hunza PURE LED Series Wiring page for more information on wiring diagrams and fixture loads per driver.

Key Specifications:

Input Voltage: 120-277Vac 50-60Hz

Output Voltage: 2V-20V dc

Output Current: 350mA

Wattage: 6W

Temperature range: -25...+50°C, max 71°C

Driver Weight: 0.0945kg (3.5oz)

Dimensions: 25x45x45mm (1" x 1³/₄" x 1³/₄")

Standards: IP67, CSA, UL Recognized

Ordering Code: LED-6DC-350.

HUNZATM PURE
OUTDOOR
LIGHTING

HUNZA FACTORY
130 Felton Mathew Ave
Glen Innes
Auckland 1072
New Zealand

Ph: 64-9-528 9471
Fax: 64-9-528 9361
hunza@hunza.co.nz
www.hunzalighting.com

INTERNATIONAL CONTACTS:
www.hunzalighting.com/contact.php
Specifications may change without notice.
Manufactured in New Zealand.
2016 Hunza Productions Ltd.