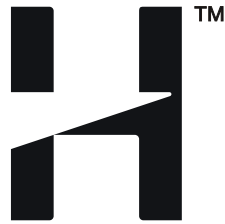
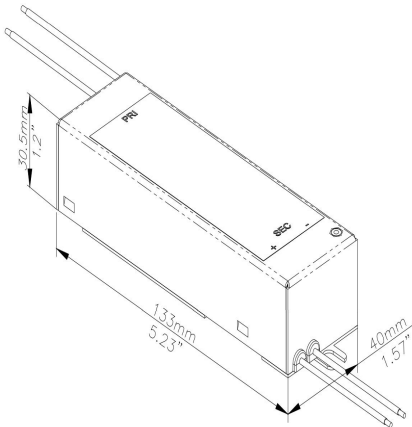


LIGHTECH
LED-18DC-700
Constant Current
Driver
Cat. No. LED-18DC-700



GE/Lightech LED-18DC-700 CONSTANT CURRENT DRIVER POWER SUPPLY

The GE/Lightech LED-18DC-700 is an 18 Watt electronic, constant current, remote driver available to power Hunza series version PURE LED fixtures in the USA market. It is ELV dimmable (trailing edge).

For exterior use, it is highly recommended to install this in a weatherproof box, available as an option from Hunza. The PC-17-02 weatherproof box is a requirement for UL compliance.

When this driver is used as a remote power supply, SERIES WIRING is required to connect the fixtures. Please refer to the Hunza PURE LED Series Wiring page for more information on wiring diagrams and fixture loads per driver.

Key Specifications:

Input Voltage: 120-277Vac 50-60Hz

Output Voltage: 4V-26V DC

Output Current: 700mA

Wattage: 18W

Temperature range: -25...+50°C, max 90°C

Driver Weight: 0.28kg (10.4oz)

Dimensions: 133x40x30.5mm (5.23"x1.57"x1.2")

Standards: IP67, CSA, UL Recognized

Ordering Code: LED-18DC-700