

EPTRONICS

Constant Current Driver

Cat. No. LD-12W-36-CO350



The EPTronics LD-12W-36-CO350 is a 12 Watt electronic, constant current, remote driver available to power Hunza series version PURE LED fixtures in the USA market. It is non-dimmable.

For exterior use, it is highly recommended to install this in a weatherproof box, available as an option from Hunza. The PC-17-02 weatherproof box is a requirement for UL compliance.

When this driver is used as a remote power supply, SERIES WIRING is required to connect the fixtures. Please refer to the Hunza PURE LED Series Wiring page for more information on wiring diagrams and fixture loads per driver.

Electrical Specification

- Input voltage range: 100 to 277VAC
- Frequency: 47~ 63HZ
- Power Factor: > .94 at full load 120Vac/230Vac 50/60Hz
- Inrush current: <10A at 25C, 230V, cold start, Max. Load
- Input current: 0.15A at 120Vac, 60Hz, Maximum Load
- Efficiency: 78% at 120Vac 60Hz, 230Vac 50Hz
- Maximum output power: 12.6W
- Output voltage range: 18-36 VDC
- Output constant current: 350mA

Safety and Compliance

- UL8750, EN61347, CSA 22.2 safety compliant
- FCC, 47CFR Part 15 Class B compliant
- Water resistant and Dust Proof Design: IP66, NEMA4, for Dry, Damp, Wet Locations.
- Safety Isolation between Primary and Secondary Meets EN61000-3-2 & EN61000-3-3 Class C
- Protection: output over-voltage, output over-current, output short circuit, auto-recovery
- Transient protection built in.

Environmental

- Operating temperature: Tc 80C Maximum.
- Reference -30 to +60°C ambient
- Storage temperature range: -40 to +85°C
- Humidity (non-condensing): 5% - 95%RH
- Cooling: Convection
- Vibration Frequency: 5-55Hz/2g, 30 minutes
- Impact resistance: 1g/s



IP66

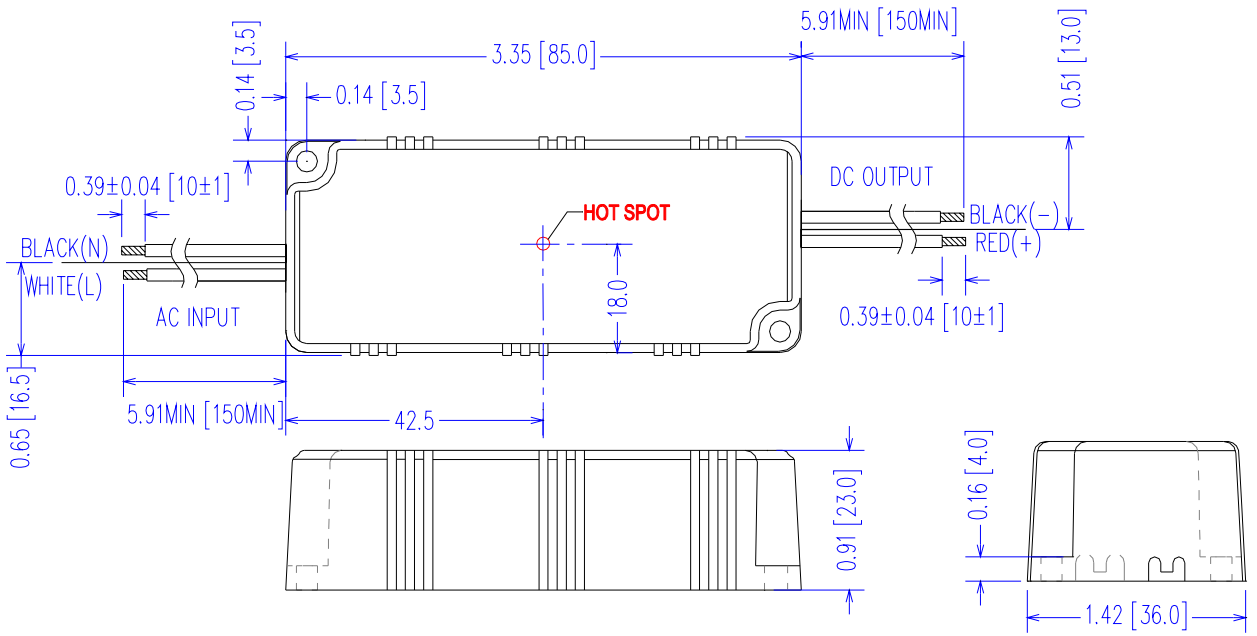


HUNZA™ PURE
OUTDOOR
LIGHTING

HUNZA FACTORY
130 Felton Mathew Ave
Glen Innes
Auckland 1072
New Zealand

Ph: 64-9-528 9471
Fax: 64-9-528 9361
hunza@hunza.co.nz
www.hunzalighting.com

INTERNATIONAL CONTACTS:
www.hunzalighting.com/contact.php
Specifications may change without notice.
Manufactured in New Zealand.
2016 Hunza Productions Ltd.



HUNZA™ PURE
OUTDOOR
LIGHTING

HUNZA FACTORY
130 Felton Mathew Ave
Glen Innes
Auckland 1072
New Zealand

Ph: 64-9-528 9471
Fax: 64-9-528 9361
hunza@hunza.co.nz
www.hunzalighting.com

INTERNATIONAL CONTACTS:
www.hunzalighting.com/contact.php
Specifications may change without notice.
Manufactured in New Zealand.
2016 Hunza Productions Ltd.