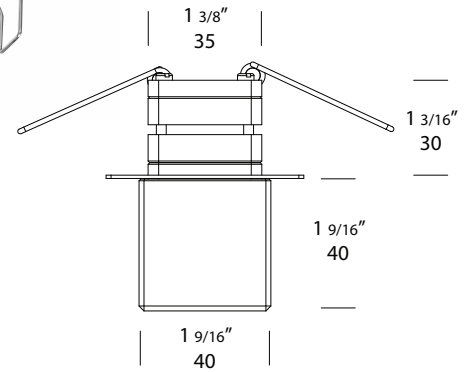


Cube Eave Lite PURE LED

PROJECT:
TYPE:
SOURCE:
NOTES:

SPECIFICATIONS



LED Chip	Cree XPG-3 Plug and Play field replaceable LED board
Luminaire Output Per Head	200 Lumens @ 700mA, delivered from luminaire with unobstructed beam.
Lumens Per Watt	66 Lumens minimum @ 2 watts, delivered from luminaire with unobstructed beam
CRI (3000K)	90+
Colour Temperatures	2700K, 3000K, 4000K, Amber, Blue, Green, Red
Beam Angles	N/A
Ingress Protection	IP66
Warranty	Electronics = 5 years Body Aluminium = 5 years
Standards	AS/NZS 61046 CE

PRODUCT CONFIGURATION

Please fill in appropriate codes into boxes provided

Cat. No. CEAVE/L

Luminaire	Power	Material/ Finish	Colour	Accessories
CEAVE/L	<input type="text"/>	<input type="text"/>	<input type="text"/>	<input type="text"/> <input type="text"/> <input type="text"/> <input type="text"/> <input type="text"/>
S	700mA Input, Series Wired 2W	ALUMINIUM EBK BLACK EBZ BRONZE EOGR OLIVE GREEN EWH WHITE EWB WHITE BIRCH EDG DARK GREY ESTAR SILVER STAR ECT CORTEN	2 2700K 3 3000K 4 4000K A AMBER B BLUE G GREEN R RED	CJK CABLE JOINT KIT

SERIES, REMOTE DRIVER REQUIRED:
Constant current driver
Individual fixtures require 3vdc @ 700mA maximum

ADDITIONAL COMMENTS:

LUMINAIRE CONSTRUCTION

CNC machined from one of the following metals:

Aluminium:

Flange: High corrosion resistant 40mm (1½") x 4mm (3/16") aluminium square tube, with chromate substrate and high UV resistant polyester powder coat.

Colours:

Black, Bronze, Silver Star, White, White Birch, Olive Green, Dark Grey, Corten.

Head/Lens:

40mm (1½") x 40mm (1½") acrylic.

Lifetime warranty.

Do not clean with petrochemical substances.

Mounting:

The fixture is designed to fit a 35mm hole and fixed into position by two spring clips.

Make a waterproof seal when fixing the flange against the ceiling.

Luminaire Weight:

Alum: 0.775kg (1lb 11oz)

ACCESSORIES

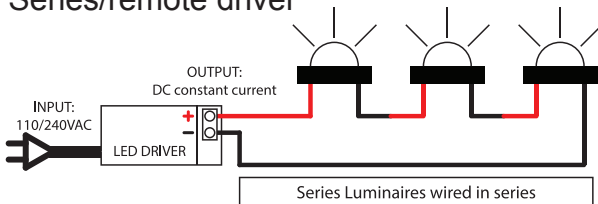
BEAM ANGLES

High efficiency PMMA TIR lenses. Field replaceable

IES files available for download: hunzalighting.com/downloads

WIRING GUIDE

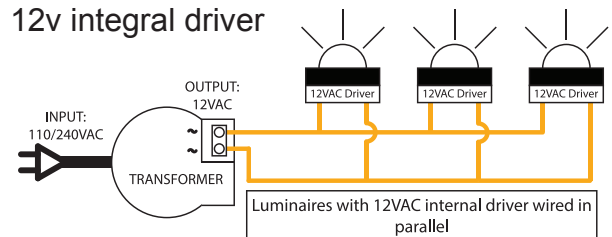
Series/remote driver



Diagrams are a guide only, wire colours and polarity may change depending on fixture and country

Available for download: hunzalighting.com/downloads

12v integral driver



Specifications may change without notification

Aug 2017