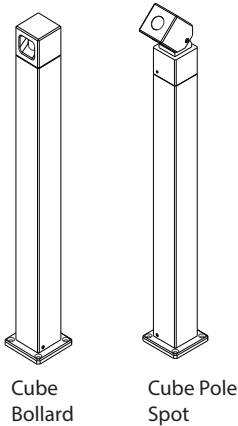
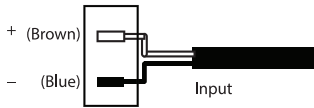


CUBE BOLLARD & POLE SPOT INSTALLATION/MOUNTING INSTRUCTIONS

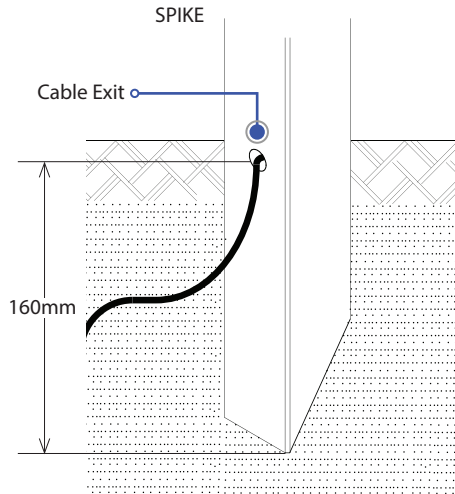
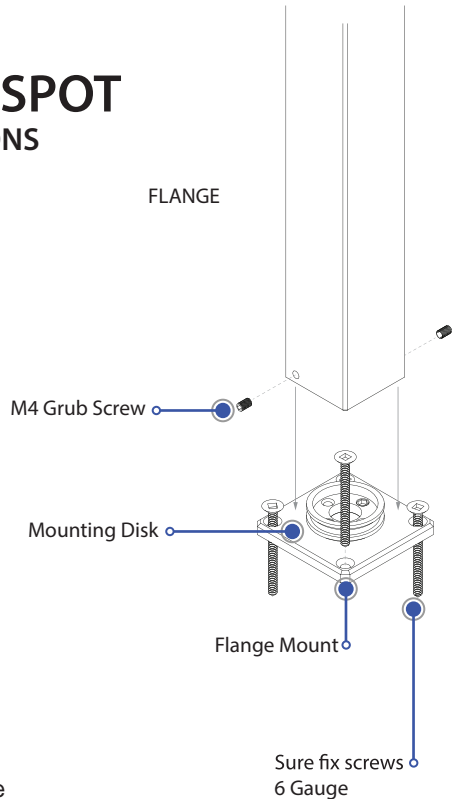


- Fixtures require 3Vf per fixture, Max 1000mA
- Remote driven series wiring OR 12V integral driver

- 1)Fix Flange Mount to ground/wall with 6 Gauge Screws
- 2)Install O-ring flush against mounting disk, making sure O-ring does not move into groove above.
- 3)Draw input cable through Flange Mount and connect to the fixture cables



- 4)Fix Square Pole over mounting disk. Rotate to position before fixing in place. Secure in place using M4 Grub Screws.
- 5)Position head to appropriate angle and fix using M3 Grub Screws (POLE SPOT ONLY)



**NOTE: DO NOT clean Quartz or Cloak Lenses with Petrochemical Substances.
DO NOT water blast/jet wash this fixture under any circumstances.**

When a spike is used, push into substrate with Cable Exit above or below the ground, as desired and make water proof connection