

## CATENARY MOUNT INSTALLATION INSTRUCTIONS

NOTE: THESE INSTRUCTIONS MUST NOT CONTRAVENE YOUR LOCAL ELECTRICAL AUTHORITY REGULATIONS, WITH WHICH ALL INSTRUCTIONS HERE IN MUST COMPLY.  
PLEASE KEEP INSTRUCTIONS FOR FUTURE REFERENCE.

### INSTALLATION

Attach the luminaire to the wire or steel rod as shown in diagram A.

**IMPORTANT** apply Loctite to the thread where shown to ensure that the nut will remain secure.

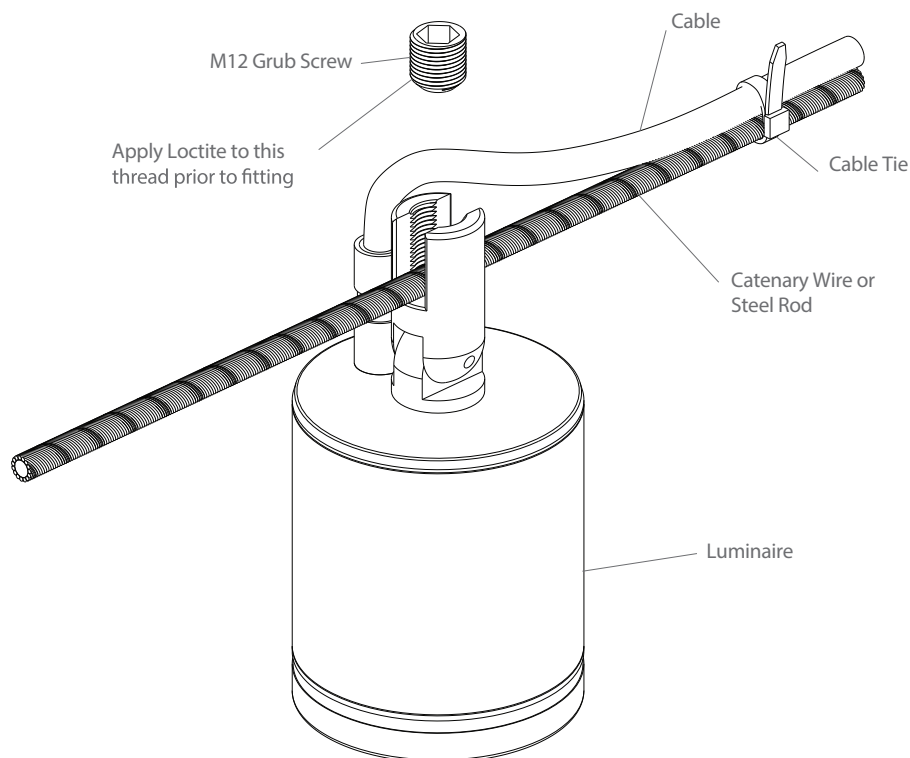
Tighten the nut down on to the wire or rod as shown in diagram A.

Secure the cable to the wire or rod as shown with cable ties.

Disclaimer: These installation instructions do not cover the engineering required for the stainless wire or rod catenary system required to suspend the fixture.

Please get advice from your local structural engineer with regards to appropriate stainless wire/rod and fixing specifications.

Diagram A



## CATENARY MOUNT INSTALLATION INSTRUCTIONS

NOTE: THESE INSTRUCTIONS MUST NOT CONTRAVENE YOUR LOCAL ELECTRICAL AUTHORITY REGULATIONS, WITH WHICH ALL INSTRUCTIONS HERE IN MUST COMPLY. PLEASE KEEP INSTRUCTIONS FOR FUTURE REFERENCE.

### LED CHANGING

**CAUTION:** Make sure that the power to the luminaire is switched off before attempting to change the LED.

#### LED Changing Sequence

When replacing gasket and lens, make sure there is no dirt or grit on the gasket. Dirt or grit on the gasket may cause luminaire to leak.

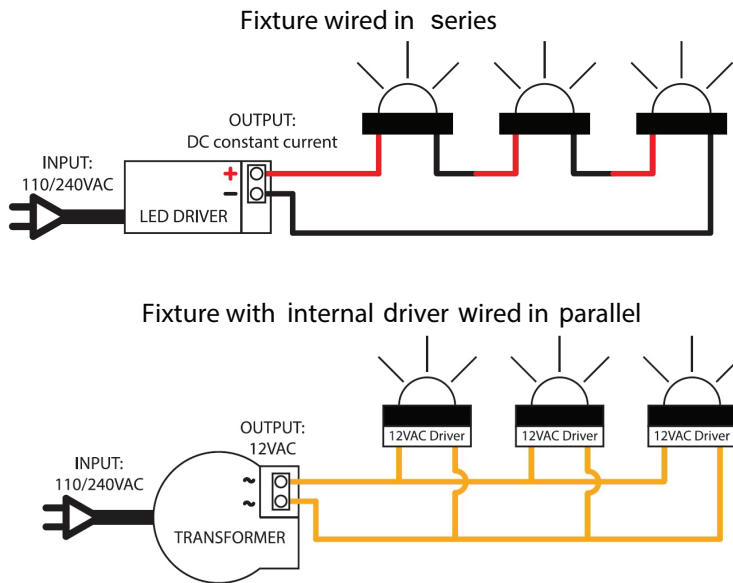
#### Gasket and lens sequence

Place lens on top of lamp and put orange gasket on top of lens. Screw on lens ring.

#### Recommendation:

Run all low voltage cables in flexible conduit for extra protection. Use Hunza Cable Joint Kit CJK#150. Do not over tighten lens ring.

Connect the Driver as shown in the diagram below



**Warning:** Do not disconnect the LED luminaire from secondary side of the the driver connected to the mains. Switch off mains FIRST. Allow the LED to discharge, then disconnect luminaire from the output side of thedriver.

Do not water blast/jet wash this fixture under any circumstance

DO NOT connect in close proximity to inductive loads, eg. air conditioning systems, water pumps etc. without appropriate mains filtering. Use a suppression interface module for every six luminaires connected to the circuit.

DO NOT carry out a Megger or insulation test on a circuit with a RETRO™ luminaires connected to it.

DO NOT mount on a horizontal surface where water may collect or pool.

DO NOT connect to any Electronic Home System without checking with the manufacturer that it is suitable to control the HUNZA™ luminaire.