

SAFETOUCH 100 LED INSTALLATION INSTRUCTIONS UK/AUS/NZ

NOTE: THESE INSTRUCTIONS MUST NOT CONTRAVENE YOUR LOCAL ELECTRICAL AUTHORITY REGULATIONS, WITH WHICH ALL INSTRUCTIONS HERE IN MUST COMPLY. PLEASE KEEP INSTRUCTIONS FOR FUTURE REFERENCE.

Remove the complete fixture from the packaging. If the canister and luminaire are to be installed separately detach the luminaire from the canister and place it back in the packaging and store securely.

If not discard the packing in an environmentally friendly way. Dig a hole 30cm (12") diameter and 40cm (16") Deep. Place drainage material in the bottom of the hole to drain away water and stop water level build up. (See Fig. 1).

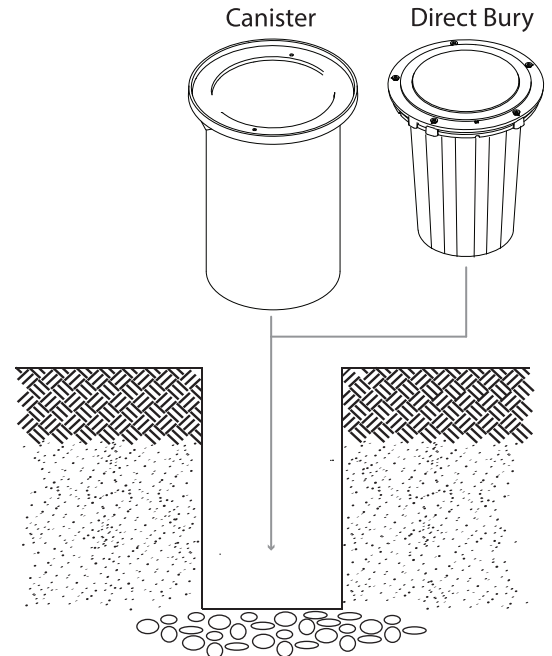


Fig. 1

DIRECT BURY OPTION

For Direct bury. Make a waterproof connection with the Input cables.

Place the luminaire into the hole. Make sure the flange is flush with the ground level and then back fill around the luminaire. Compact the surrounding substrate to ensure good heat conductivity. Place drainage material in the bottom of the hole to drain away water and stop water level build up. (see Fig. 2).

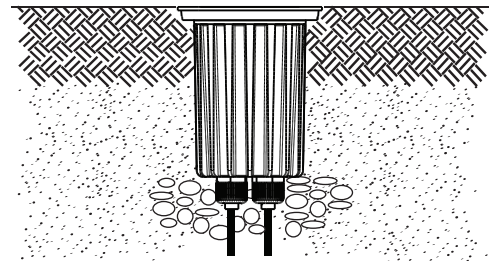


Fig. 2

CANISTER OPTION

Sit mounting canister into the hole. Make sure that the top of the canister is flush and level with the finished floor or ground level (see Fig. 2a).

Draw the power supply cable up through the centre of the canister ready for connection to the luminaire.

Back fill with soil or concrete. If grout is to be used with tiles insure canister will be flush with tilt finish height.

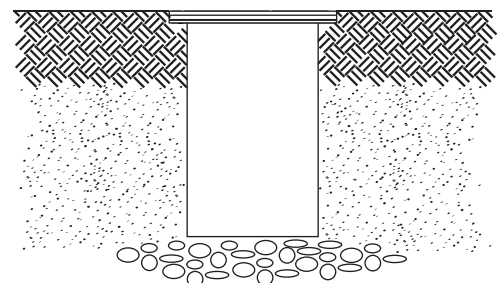


Fig. 2a

NOTE: Do not backfill with stones, scoria or any material that will leave air gaps next to the canister. Concrete is strongly recommended to backfill the canister hole. Concrete will conduct away 40% more heat than soil.

Once ground works are complete remove the blue flange protector. Draw supply cable through canister and make a waterproof connection to the luminaire input. (See Fig.3a)

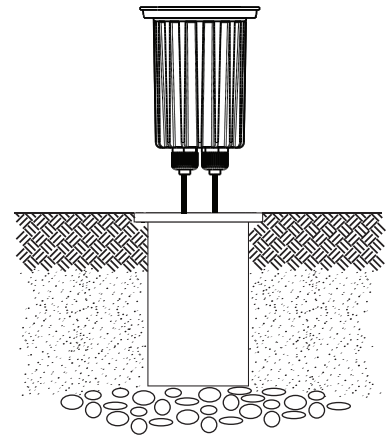
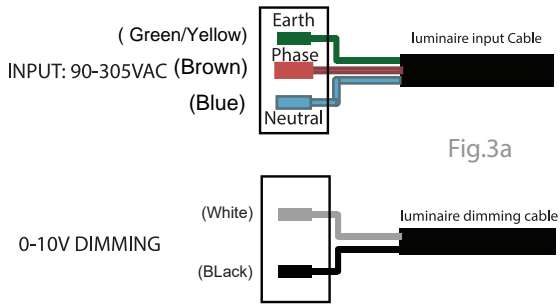


Fig.3

NOTE: Where dimming is required, cut and strip dimming cable to make connection

Place the luminaire into the canister. Make sure flange surfaces are clean - dirt sand and mud free.

Tighten the two screws (A) provided that hold the luminaire into the canister by hand only – no power tools should be used on this luminaire. (See Fig. 4).

Make sure debris does not fall into the open luminaire while working.

To adjust Gimbal, loosen M5 bolts, rotate to desired position and tighten bolts to clamp Gimbal in place. (See Fig. 4a)

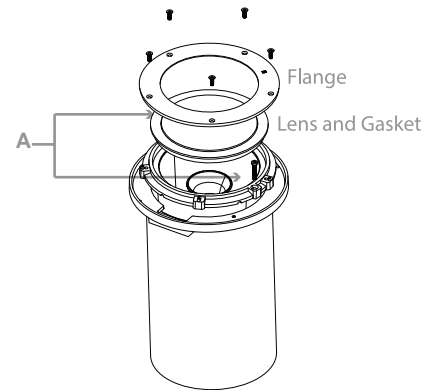


Fig. 4

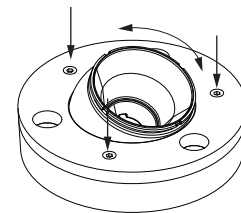


Fig. 4a

Be certain to clean gasket recess before placing Lens and Gasket assembly into the gasket recess in the luminaire (see Fig. 4b). Make sure that the lens and gasket are clean.

Place Flange on top of gasket and lens assembly and tighten the four screws (B) evenly by hand. (See Fig. 4b).

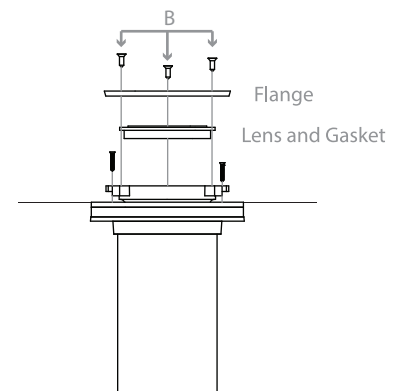


Fig. 4b