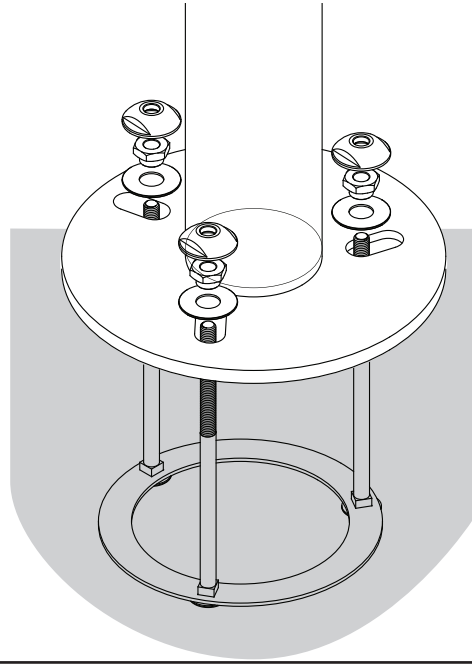


## Flange Mount Installation with Mounting Cage

1. Set Mounting Cage into concrete. Leave a minimum of 40mm (1 ½ inch) thread proud of the ground level.
2. Place Fixture flange over the proud bolt threads and tighten using provided nuts and washers.
3. Trim off excess thread once tight. (Additional bolts may be used under the fixture flange to level the fitting. If this is the case be sure to leave sufficient thread proud of ground level.)



## Material Maintenance

**DO NOT use bleach, concentrated cleaners, or solvents under any circumstances.**

**DO NOT water blast/pressure blast fixtures**

**DO NOT use abrasive compounds.**

**316 Stainless Steel:** To maintain the finish of 316 stainless steel it is recommended to wash the luminaire with fresh water from time to time to stop salt and corrosive elements building up. If tea staining appears, a commercially available stainless steel cleaner is recommended to remove this.

**Electro Polishes** still require regular maintenance. Even an electro polished stainless steel fixture under an eave or roof will suffer from the build up of salt deposits as it will not be washed away by rain.

**Copper** will age naturally and will patina over time, it is not necessary to clean copper frequently. When they do require cleaning, wipe them with a damp cloth.

**DO NOT use polishing compounds.**

**HUNZA™**  
PURE OUTDOOR LIGHTING

**HUNZA LIGHTING LTD**

130 Felton Mathew Ave  
Saint Johns  
Auckland 1072  
New Zealand

Ph: +64-9-528 9471

Fax: +64-9-528 9471

E: hunza@hunza.co.nz

This document contains proprietary information of Hunza™. Its receipt or possession does not convey any rights to reproduce or disclose its content.



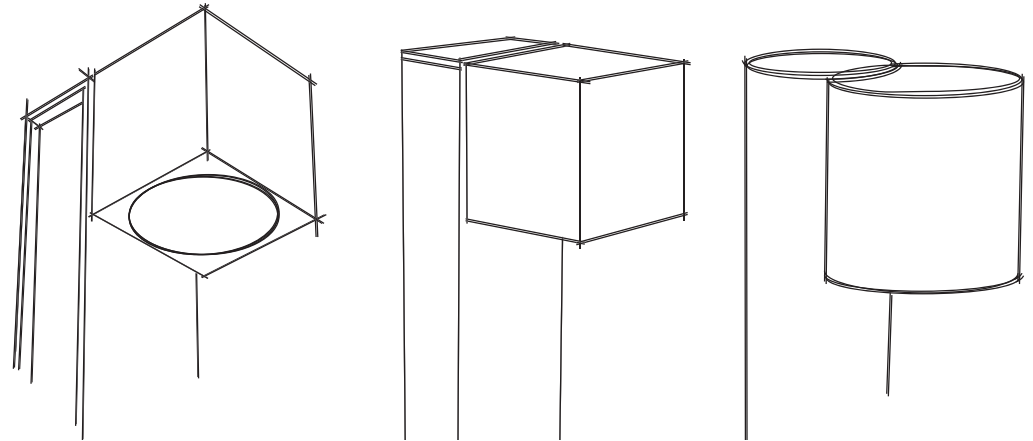
Hunza™ fixtures are available from specialist outdoor lighting distributors. **Specifications, Installation, IES, CAD & Guides** are available online:

[www.hunzalighting.com](http://www.hunzalighting.com)

**HUNZA™**  
PURE OUTDOOR LIGHTING

ARCH BOLLARD  
**INSTALLATION INSTRUCTIONS**

UK/AU/NZ



**IMPORTANT! TO MEET HUNZA'S BLACK LABEL WARRANTY, PLEASE READ BEFORE INSTALLING THE FIXTURE.**

**PLEASE NOTE: THESE INSTRUCTIONS MUST NOT CONTRAVENE YOUR LOCAL ELECTRICAL AUTHORITY REGULATIONS, WITH WHICH ALL INSTRUCTIONS HERE IN MUST COMPLY. PLEASE KEEP INSTRUCTIONS FOR FUTURE REFERENCE.**

**WARNING:** DO NOT connect the secondary side (output) of a live driver to the fixture, this will cause a spike in voltage that can damage the LED. When connecting or disconnecting the fitting always insure the 120/240V power supply is disconnected.

**WARNING:** When using a photocell and/or timer we recommend using devices with relay outputs as opposed to electronic. The high frequency of electronic devices can lead to failure of the LED driver.

**WARNING:** If the mounting surface is to be "acid washed" the fixtures must be removed prior to the process to avoid damage to the fixture and its fittings.

**WATERPROOFING FIXTURES:** Ensure the fixture is fixed in place and ensure a waterproof seal is made between the fixture and surface. Ensure that installation on exteriors meets local authority regulations.

**WATERPROOFING CONNECTIONS:**

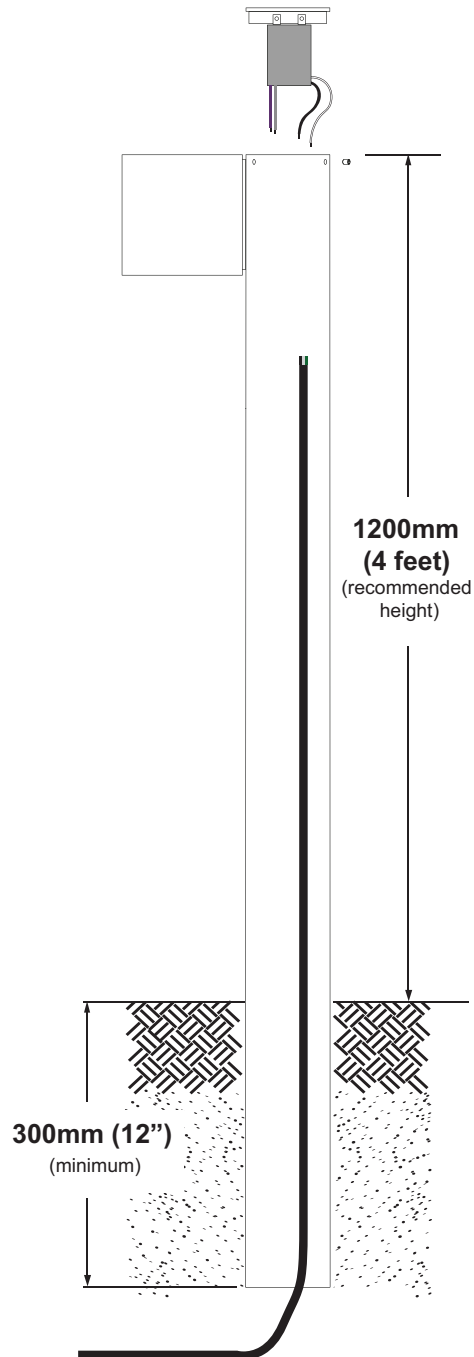
Make sure to waterproof connections to the luminaire, input cables and/or dimming cable. A NON WATERPROOF CONNECTION WILL ALLOW WATER TO INGRESS INTO THE POWER SUPPLY AND/OR FIXTURE HEAD WHICH CAN LEAD TO FAILURE.



\*T&C's apply. See website for details:  
[hunzalighting.com/warranty](http://hunzalighting.com/warranty)

# Installation

1. We recommend casting the Pole into the ground with concrete to a minimum depth of 300mm (12"). Place drainage material in the bottom of the hole to drain away water and stop water level build up. (See Fig. 1).
2. For the best optic performance we recommend to install the head of the Luminaire at 1200mm (4 feet) above the ground.
3. Once ground works are complete and the pole is set in place. Remove Luminaire Cap. Draw supply cable through the Pole allowing an extra 200mm (8") minimum of cable above the top of the pole.
4. **Make water proof connections using heavy walled adhesive lined heat shrink. Refer to wiring guide.**
5. Dimming: If 0-10V dimming is being used draw dimming cable up through the pole and connect to purple and grey dimming wires on the driver. **Refer to wiring guide.**
6. Finish installation by securing the Luminaire Cap to the top of the pole with Grub Screws provided.



**DO NOT** connect in close proximity to inductive loads e.g. air conditioning systems, water pumps, etc. without appropriate mains filtering. Use a suppression interface module for every six luminaires connected to the circuit.

**DO NOT** carry out a Megger or insulation test on a circuit with a luminaire connected to it.

**DO NOT** connect to a Clipsal C-Bus2, or any other home automation System type without using a suppression interface module.

**DO NOT** water blast/jet wash this fixture under any circumstances.

**NOTE:** Due to the nature of electronics, the ambient temperature of the installation location must be considered carefully as the luminaire may not operate reliably at temperatures below -8°C (18°F).

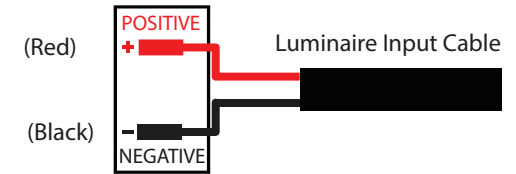
# Wiring Guide

Make water proof connections using heavy walled adhesive lined heat shrink (Refer to wiring guide below).

## REMOTE DRIVEN (SERIES) CONNECTIONS

Make input connections according to diagram below.

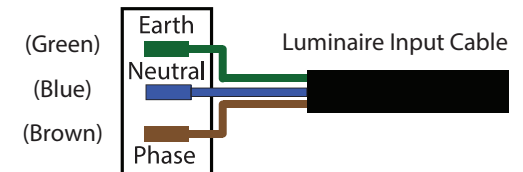
**DRIVER OUTPUT:**  
CONSTANT  
CURRENT 700mA  
Max, 37Vdc



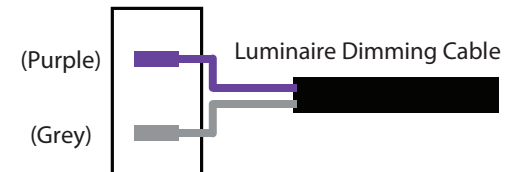
## 120/240V (RETRO) CONNECTIONS

Make input connections according to diagram below.

**INPUT:**  
100-277VAC



0-10V DIMMING



**Recommendations:** Run all low voltage cables in flexible conduit for extra protection. Use Hunza Cable Joint Kit CJK#15. Heavy Duty Cable Boots available for additional ingress protection.