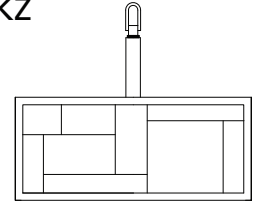
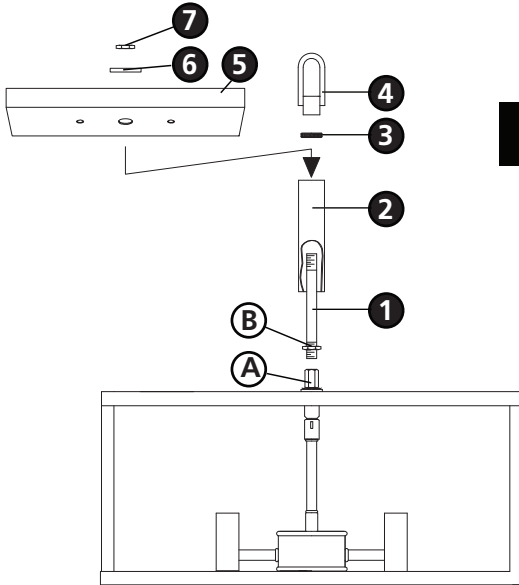


Family: Mondrian | Item No. 4571 KZ



**Drawing 1 - Fixture Assembly**



▼ start here

**1**

1. Find a clear area in which you can work.
2. Unpack fixture and glass from carton.
3. Carefully review instructions prior to assembly.

**\*\*\* The construction of this fixture will be accomplished by first assembling the fixture, installing the fixture glass, determining what mounting style you will use, installing the mounting bracket to the junction box, making all necessary electrical connections and hanging the fixture from the ceiling.**

**SAFETY WARNING: READ WIRING AND GROUNDING INSTRUCTIONS (I.S. 18) AND ANY ADDITIONAL DIRECTIONS. TURN POWER SUPPLY OFF DURING INSTALLATION. IF NEW WIRING IS REQUIRED, CONSULT A QUALIFIED ELECTRICIAN OR LOCAL AUTHORITIES FOR CODE REQUIREMENTS.**

**2**

1. To assemble fixture, thread center tube (1) into coupler (A) approximately 3/8" - see **Drawing 1**.
2. Tighten hex nut (B) against coupler (A) to secure threaded tubing (1).

**3**

1. To install glass panels, unwrap and organize tiffany panels - see **Drawing 2**.
  - Note: Center column is on swivel. After glass is installed caution must be used when moving the fixture so stem does not swivel and break glass.
2. Refer to glass installation instruction sheet provided. Then refer back to this sheet to continue fixture installation.

**4**

1. At this point you must determine if the fixture is to be chain hung or mounted to the ceiling. Please see instructions below for each option.

**5**

Chain Hung Option

1. Thread knurl nut (3) onto center tube (1) - see **Drawing 1**.
2. Thread loop (4) onto end of center tube (1) and tighten.
3. Please refer to the hanging instruction sheet (I.S. 19) provided to hang fixture.

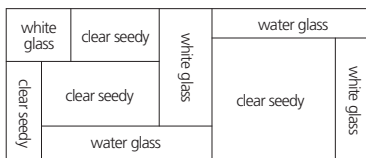
**6**

Ceiling Mount

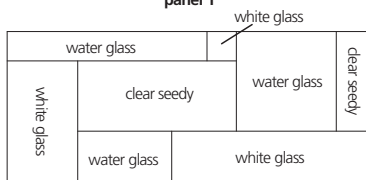
1. Slip canopy (5), with small center hole, over center tube (1) - see **Drawing 1**.
2. Slip lock washer (6) and thread hex nut (7) onto center tube and tighten.
3. Please refer to the mounting instruction sheet (I.S. 20) provided to hang fixture.

**Drawing 2 - Glass Installation**

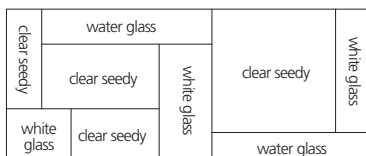
top of panel



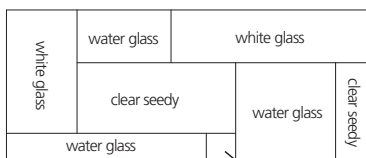
panel 1



panel 2



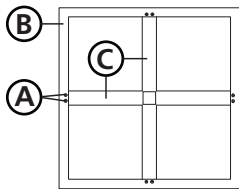
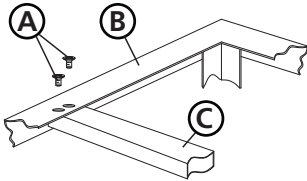
panel 3



panel 4

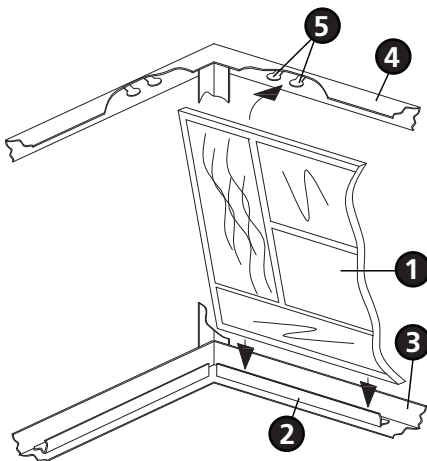
bottom of panel

### Drawing 1 - Glass Installation



top view of fixture cage

### Drawing 2 - Glass Installation



## ▼ start here

- This instruction sheet is intended for the installation of the Mondrian family glass.

### 1

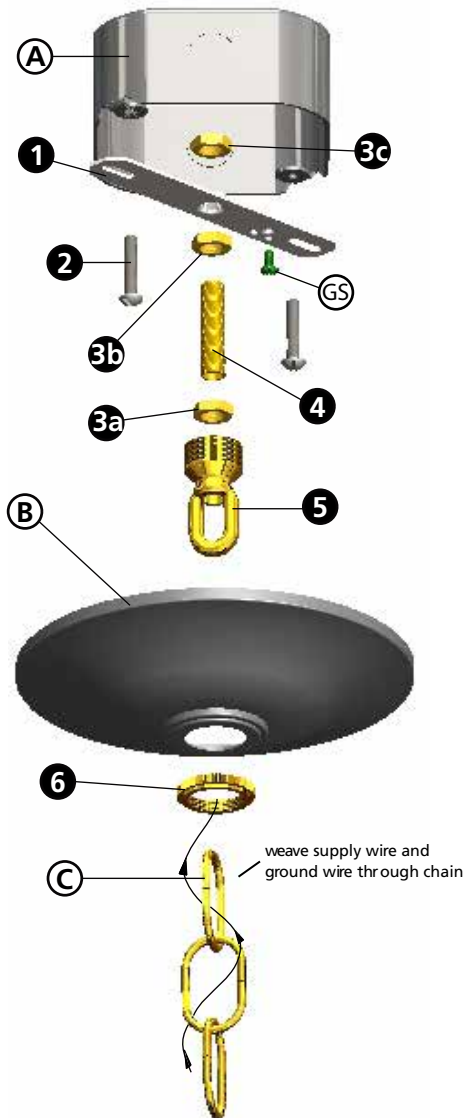
1. To install glass panels, it is necessary to first remove the crossbar located at the top of the cage assembly. This is attached to the center cluster assembly of the fixture.
2. To remove crossbar, remove screws **(A)** from the top of cage assembly **(B)** - see **Drawing 1**.
3. Remove cage assembly from crossbar and center cluster assembly.
4. Set crossbar and center cluster assembly along with previously removed screws aside.

### 2

1. At this point you should have your glass panels layed out as instructed on the main instruction sheet. Remember to note top and bottom.
2. Take the first panel and place bottom of panel **(1)** behind metal channel **(2)** located at the bottom of cage assembly **(3)** - see **Drawing 2**.
3. Tilt panel up into the top of cage **(4)** and carefully bend down clips **(5)** with a screw driver to secure panel in cage.
4. Repeat step 2-3 for remaining glass panels.
5. Once all glass panels have been secured, replace crossbar and center cluster assembly by reattaching crossbar to top of cage assembly with screws **(A)** - see **Drawing 1**.

10.29.09

**Drawing 1 - Hanging Assembly**



**Drawing 2 Canopy Adjustment**



# ▼ start here

**SAFETY WARNING: READ WIRING AND GROUNDING INSTRUCTIONS (I.S. 18) AND ANY ADDITIONAL DIRECTIONS. TURN POWER SUPPLY OFF DURING INSTALLATION. IF NEW WIRING IS REQUIRED, CONSULT A QUALIFIED ELECTRICIAN OR LOCAL AUTHORITIES FOR CODE REQUIREMENTS.**

**1**

1. Shut off electrical current before starting. If the fixture you are replacing is turned on and off by a wall switch, simply turn the switch off. If not, remove the appropriate fuse (or open the circuit breakers) until the fixture is dead.

- DO NOT restore current - either by fuse, breaker or switch - until the new fixture is completely wired and in place.

**2**

1. Fasten mounting strap (1) to outlet box (A) with the two 8-32 screws (2) - see Drawing 1.

2. Thread 2 - hex nuts (3a) and (3b) onto threaded tubing (4).

3. Thread one end of threaded tubing (4) into loop (5) a minimum of 1/2" to 3/4". Tighten hexnut (3a) against loop (5) to lock loop in position.

4. Thread other end of threaded tube (4) into mounting strap approximately 1/2".

5. Slip canopy (B) over loop (5) and adjust height of loop so half of the threaded area on the loop is exposed - see **Drawing 2** below. After loop height is adjusted, tighten hex nut (3b) up against mounting strap, tighten against mounting strap to lock in position.

6. Remove mounting strap (1) from junction box (A), and thread third hex nut (3c) onto end of threaded tube (4) above the mounting strap, tighten against mounting strap to lock assembly in position.

7. Remount mounting strap to junction box.

**3**

1. Taking the chain, determine the length you require to hang the fixture.

2. Attach one end of the chain to the top loop of the fixture.

3. Now slip loop collar (6) and canopy (B) onto chain - see **DRAWING 2**.

4. Attach other end of chain to loop (5). Get assistance for this step since fixture may be heavy and difficult to hold while attaching the chain.

**4**

1. Unwrap supply wire and ground wire and weave them up through the chain.

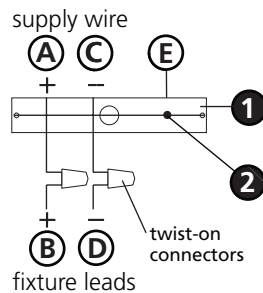
2. Slip supply wire and ground wire through center of loop (5).

3. Connect ground wire to mounting strap (1) using green ground screw (GS).

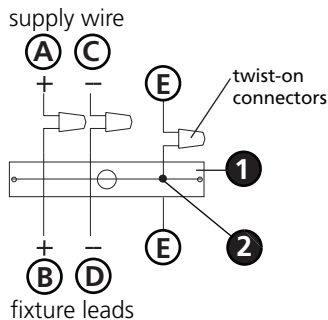
4. Make electrical connections from supply wire to fixture lead wires. Refer to instruction sheet (I.S. 18) and follow all instructions to make all necessary wiring connections.

5. Slip canopy up firmly against the ceiling and secure by turning the threaded collar (6) on loop (5) until tight.

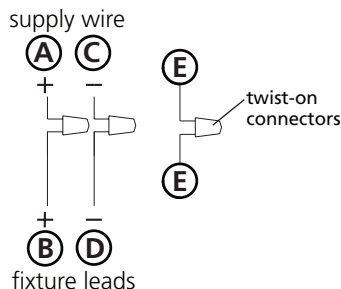
**Drawing 1 - Flush Mount**



**Drawing 2 - Chain Hung**



**Drawing 3 - Post-Mount**



**SAFETY WARNING: READ WIRING AND GROUNDING INSTRUCTIONS (I.S. 18) AND ANY ADDITIONAL DIRECTIONS. TURN POWER SUPPLY OFF DURING INSTALLATION. IF NEW WIRING IS REQUIRED, CONSULT A QUALIFIED ELECTRICIAN OR LOCAL AUTHORITIES FOR CODE REQUIREMENTS.**

## wiring instructions

### Indoor Fixtures

1. Connect positive supply wire **(A)** (typically black or the smooth, unmarked side of the two-conductor cord) to positive fixture lead **(B)** with appropriately sized twist on connector - see **Drawings 1 or 2**.
2. Connect negative supply wire **(C)** (typically white or the ribbed, marked side of the two-conductor cord) to negative fixture lead **(D)**.
3. Please refer to the **grounding instructions** below to complete all electrical connections.

### Outdoor Fixtures

1. Connect positive supply wire **(A)** (typically black or the smooth unmarked side of the two-conductor cord) to positive fixture lead **(B)** with appropriately sized twist on connector - see **Drawings 2 or 3**.
2. Connect negative supply wire **(C)** (typically white or the ribbed, marked side of the two-conductor cord) to negative fixture lead **(D)**.
3. Cover open end of connectors with silicone sealant to form a watertight seal.
  - If installing a wall mount fixture, use caulk to seal gaps between the fixture mounting plate (backplate) and the wall. This will help prevent water from entering the outlet box. If the wall surface is lap siding, use caulk and a fixture mounting platform specially.
4. Please refer to the **grounding instructions** below to complete all electrical connections.

## grounding instructions

### Flush Mount Fixtures

For positive grounding in a 3-wire electrical system, fasten the fixture ground wire **(E)** (typically copper or green plastic coated) to the fixture mounting strap **(1)** with the ground screw **(2)** - see **Drawing 1**.

Note: On straps for screw supported fixtures, first install the two mounting screws in strap. Any remaining tapped hole may be used for the ground screw.

### Chain Hung Fixtures

Loop fixture ground wire **(E)** (typically copper or green plastic coated) under the head of the ground screw **(2)** on fixture mounting strap **(1)** and connect to the loose end of the fixture ground wire directly to the ground wire of the building system with appropriately sized twist-on connectors - see **Drawing 2**.

### Post-Mount Fixtures

Connect fixture ground wire **(E)** (typically copper or green plastic coated) to power supply ground with appropriately sized twist-on connector inside post. Cover open end of connector with silicone sealant to form a watertight seal - see **Drawing 3**.