



## Assembly instructions for 1974 RB

### Step 1

Unpack fixture from carton. Mounting the main body assembly (1) can be done at this time. Please follow the mounting instructions on the back of this instruction sheet.

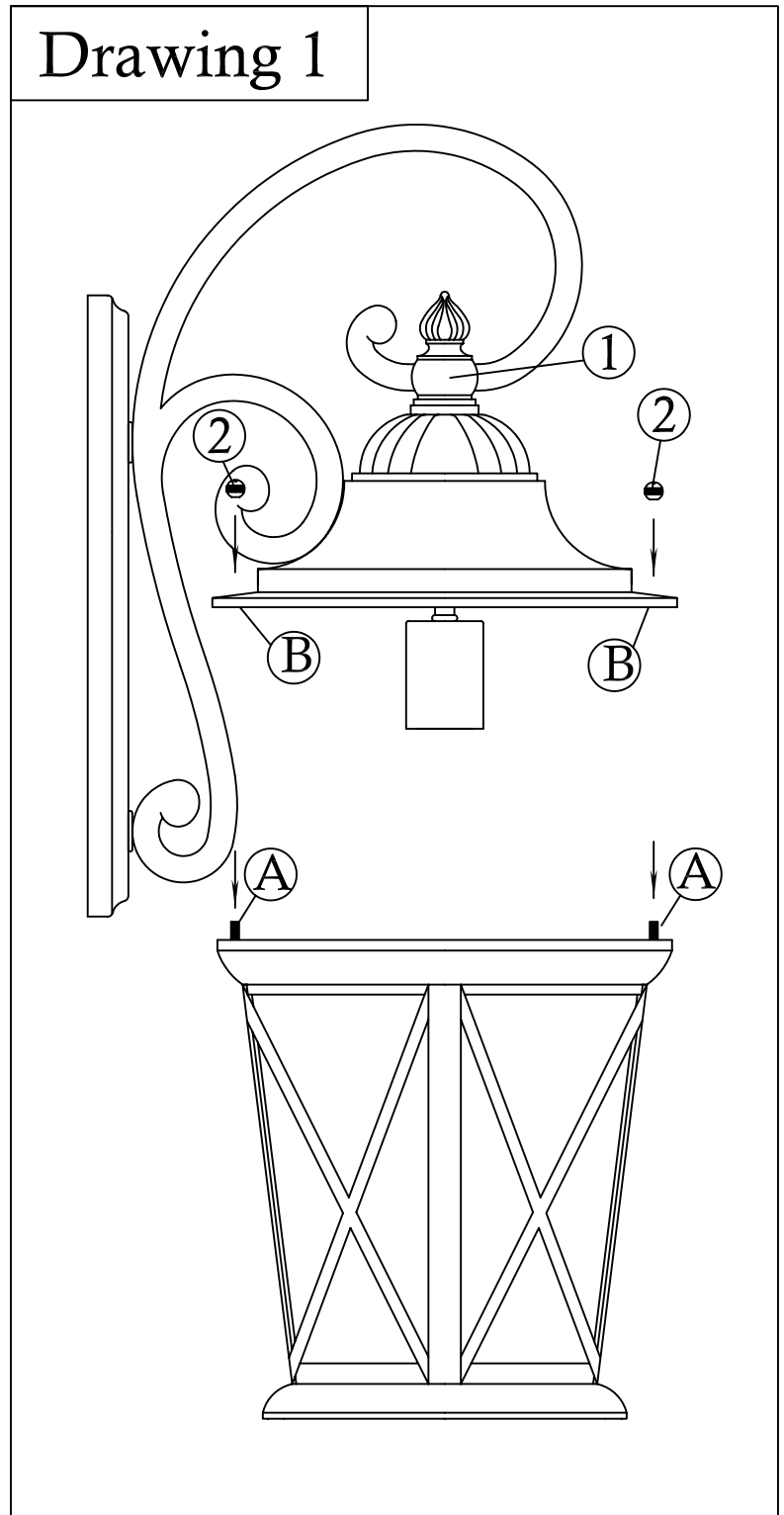
### Step 2

Fixture can now be lamped. Please Note: Maximum wattage for this fixture is 75 watts.

### Step 3

Attach fixture cage by slipping studs (A) through the holes the roof (B). Now thread ball knob (2) onto end of stud (B).

Note: Relamping can be accomplished by following Step 3 in reverse order.



# Mounting Instructions for 1974 RB

## Mounting Instructions

SAFETY WARNING: Read wiring and grounding instructions (I.S. 18) and any additional installation directions. Turn power supply off during installation. If new wiring is required, consult a qualified electrician or local authority for code requirements.

Use Drawing 3 for reference.

1. Prepare gem strap (A) for mounting by threading two 8-32 screws (B) provided into back of gull wing bracket of gem strap (A). Holes chosen to thread screws in to should correspond with mounting holes (D) in backplate. [see drawing 4 for reference].
2. Mount gem strap (A) to junction box (J) with two 8-32 screws (C), 1" long. (not provided).
3. Make electrical connections from supply wire to fixture lead wires. Reference to I.S. 18 provided for correct wire identification and attachments.
4. After all wiring connections are made, slip the two mounting screws (B) through the two mounting holes (D) in the backplate (E).
5. While holding fixture in place, thread the two ball knobs (F) on to mounting screws (B), and tighten.
6. Please return to step 2 of the instruction sheets.

