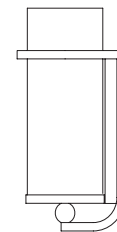
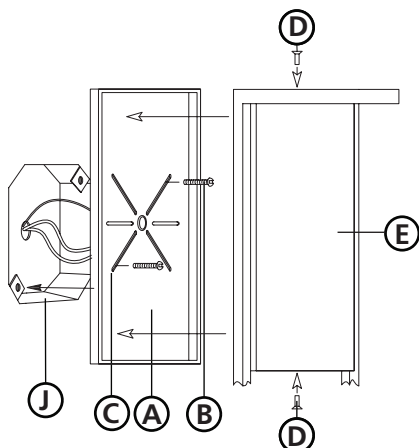


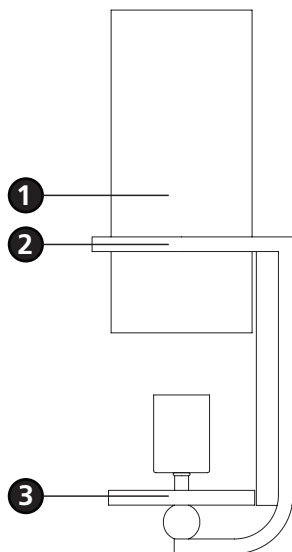
Family: Carlyle | Item No. 1134 MB



**Drawing 1 - Fixture Mounting**



**Drawing 2 - Glass Installation**



## ▼ start here

**1**

1. Find a clear area in which you can work.
2. Unpack fixture and glass from carton.
3. Carefully review instructions prior to assembly.

**\*\*\* The construction of this fixture will be accomplished by first mounting the retaining plate to the junction box, making all necessary electrical connections, mounting the fixture to the wall, and then installing the glass.**

**2**

1. Remove main mounting plate (A) from fixture back plate (E) by removing the 4 flat head screws (D) - see **Drawing 1**.
2. Slide the wires from the junction box (J), through the large center hole in mounting plate (A).
3. Line up the slots (C) with the threaded holes in the junction box (J). Using two 8-32 screws (B) (not included), attach the main mounting plate (A) to the junction box (J).

**SAFETY WARNING: READ WIRING AND GROUNDING INSTRUCTIONS (I.S. 18) AND ANY ADDITIONAL DIRECTIONS. TURN POWER SUPPLY OFF DURING INSTALLATION. IF NEW WIRING IS REQUIRED, CONSULT A QUALIFIED ELECTRICIAN OR LOCAL AUTHORITIES FOR CODE REQUIREMENTS.**

**3**

Make electrical connections from supply wire to fixture lead wires. Refer to instruction sheet (I.S. 18) and follow all instructions to make all necessary wiring connections. Then refer back to this sheet to continue installation of this fixture.

**4**

1. To mount fixture to wall, slide backplate (E) over mounting plate (A) - see **Drawing 1**.
2. Secure the backplate by using screws (D).

**5**

1. Prior to installing glass, fixture can now be lamped accordingly.
2. To install glass, slip glass (1) through top loop of fixture (2) and slide glass (1) down until it sits in bottom holder (3) - see **Drawing 2**.

Note: Maximum wattage for 1134 fixture is 75 watts per bulb.

2.7.08