

Project		Catalog #		Type	
Prepared by		Notes		Date	



# HALO Outdoor

## S1FB06M2B, S1FB10M2B

### Outdoor Security Light

#### Typical Applications

Residential • Outdoor flood • Porch • Garages • Garden areas • Driveways • Sheds • Decks • Gates/Fences

#### Product Certification



#### Product Features



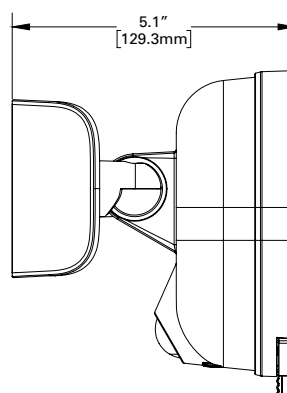
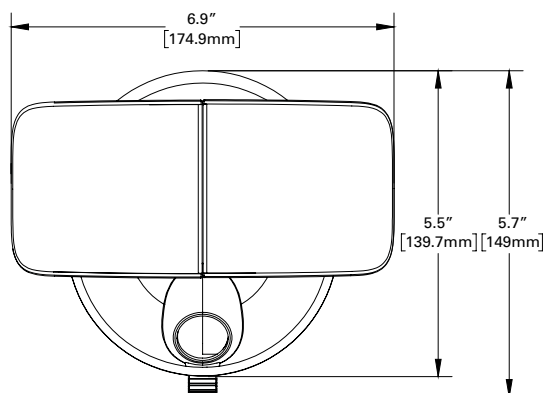
#### Interactive Menu

- Order Information page 2
- Photometric Data page 3

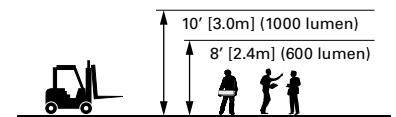
#### Top Product Features

- No wiring required - Perfect for sheds, decks, fences and other areas where wiring is not available.
- Easily accessible compartment for quick and hassle-free change of replaceable alkaline batteries.
- Integrated motion sensor with photocontrol conserves battery power by providing light only when you need it.

#### Dimensional and Mounting Details



#### Scale



## Order Information

Icon Key: ▲ Configurable Product

SAMPLE ORDER NUMBER: **S1FB10M2B**

Family	Lumens	Type	Configuration	Color
<b>S1FB</b>	<b>06</b> - 600 <b>10</b> - 1000	<b>M</b> - Motion	<b>2</b> - Twin Head	<b>B</b> - Bronze

## Product Specifications

### Key Features

- 600 or 1000 initial lumen output
- Integrated motion sensor
- 20-second auto shut off to help prolong battery life if no further motion is detected
- Off-grid installation takes less than 15 minutes using easy mount bracket
- 3 D-cell alkaline batteries provide over 1 year of run time (not included)\*
- IP66 rated housing ideal for outdoor use

### Construction

- UV resistant and rust-free polycarbonate housing is ideal for wet locations

### Mounting

- Suitable for wall mounting
- Easy to mount with integrated wall bracket

### Optics

- Produces 600 and 1000 lumens when fully charged
- Textured lens for glare free light distribution
- 4000K CCT is perfect for security applications

### Electrical

- Up to 160° field of view and up to 30' detection range
- 27 hour run time (600lm) and 17 hour run time (1000lm) on a new set of alkaline batteries

### Compliance

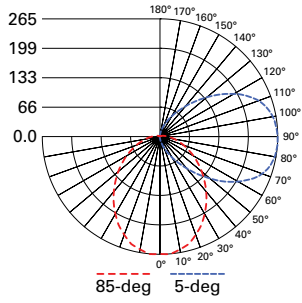
- Contains no mercury or lead and RoHS compliant
- Photometric testing in accordance with IES LM-79-08

### Warranty

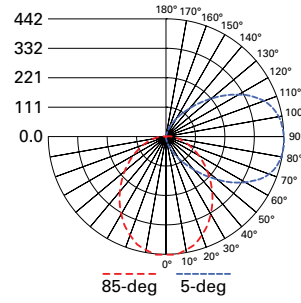
- One year limited warranty, consult website for details. [www.eaton.com/lighting/legal](http://www.eaton.com/lighting/legal)

\*Lifetime based on a activation per day and maintaining 10% of rated lumens at cut-off

## Photometric Data

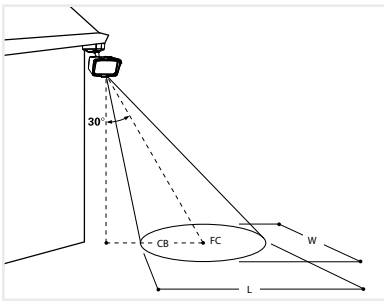


**S1FB06M2B**  
 Lumens: 600  
 Test Report: product G3-1910-523-1



**S1FB10M2B**  
 Lumens: 1000  
 Test Report: G3-1910-523-1

## Energy and Performance Data



### Area Coverage

Catalog Number	Mounting Height	Length (L)	Width (W)	Area Sq. FT	Max. FC
S1FB06M2B	6ft	16	18	223	6.2
	12ft	19	20	275	1.6
S1FB10M2B	6ft	19	21	312	10.4
	12ft	24	25	457	2.7

**Note:** Refer to IES files for more product data. Calculations are done with fixture heads tilted at 30°.