

The **ALL-PRO™** LED area light with Dusk-to-Dawn photocontrol incorporates sustainable LED technology into an aesthetically pleasing fixture. LED Area light is a dependable and reliable security solution that provides nighttime ON and daytime OFF. LED lighting provides the ability to truly install the fixture and walk away, while saving energy.

Perfect Dusk-to-Dawn area lighting for residential applications such as entrances, patios, walkways, apartment complexes and light commercial buildings such as hotels, strip malls.

LED Area Light

- Over 7 years of maintenance – free LEDs with 25,000 hours of life
- 3500K and 5000K Color Temperature options
- Area coverage equivalence up to 75W incandescent or 23W CFL
- Diffused lens provides “no glare” area lighting
- Integral photo control provides nighttime ON/daytime OFF
- cULus listed for wet locations
- 2 year limited warranty



Model #	Description	UPC	Unit Carton Dimensions	Master Carton	Master Carton Dimensions
FE0650LPC	LED Dusk to Dawn Area Light – Bronze	080083666928	5.91”W x 4.72H x 7.36” D	2 Pk	6.5”W x 10.24” H x 7.95” D
FE0650LPCW	LED Dusk to Dawn Area Light – White	080083666935	5.91”W x 4.72H x 7.36” D	2 Pk	6.5”W x 10.24” H x 7.95” D
FES0650LPC	LED Dusk to Dawn Area Light Short lens – Bronze	080083669080	5.71”W x 4.72H x 6.02” D	2 Pk	6.3”W x 10.24” H x 6.61” D
FES0650LPCW	LED Dusk to Dawn Area Light Short lens – White	080083669097	5.71”W x 4.72H x 6.02” D	2 Pk	6.3”W x 10.24” H x 6.61” D
FE1450LPC	LED Dusk to Dawn Area Light – Bronze	080083752669	5.91”W x 4.72H x 7.36” D	2 Pk	6.5”W x 10.24” H x 7.95” D
FE1435LPC	LED Dusk to Dawn Area Light – Bronze	080083760381	5.91”W x 4.72H x 7.36” D	2 Pk	6.5”W x 10.24” H x 7.95” D



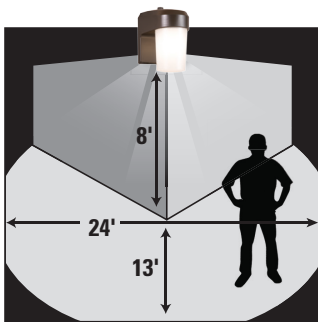
Powering Business Worldwide

Product Specifications

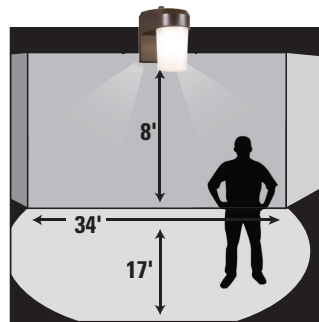
Dusk to Dawn

Model #	Voltage	Power	Lumens	Efficacy Lumen/Watt	CCT	CRI
FE0650LPC	120	11	652	59	5000	85
FE0650LPCW	120	11	738	65	5000	86
FES0650LPC	120	11	573	52	5000	85
FES0650LPCW	120	11	637	56	5000	87
FE1450LPC	120	13	1170	90	5000	84
FE1435LPC	120	13	1275	94	3500	84

Coverage Area



FE0650 Series



FE14 Series

Eaton
 1121 Highway 74 South
 Peachtree City, GA 30269
 P: 770-486-4800
www.eaton.com/lighting

Canada Sales
 5925 McLaughlin Road
 Mississauga, Ontario L5R 1B8
 P: 905-501-3000
 F: 905-501-3172

© 2016 Eaton
 All Rights Reserved
 Printed in USA
 Publication No. SA502048EN
 February 2016

Eaton is a registered trademark.
 All other trademarks are property of their respective owners.
 Product availability, specifications, and compliances are subject to change without notice.