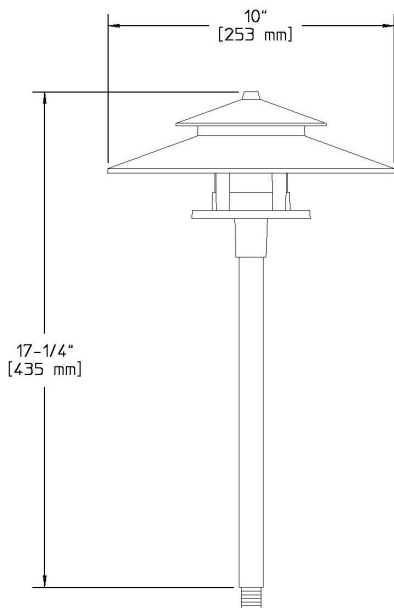


LED Aluminum Path Light (RL4) Specification Sheet

Project Name:	Location:	MFG: Philips Hadco
Fixture Type:	Catalog No.:	Qty:



Ordering Guide

Example: RL4 H S7 LED2W

Product Code	RL4	LED Aluminum Path Light
Finish	H A G	Bronze Black Verde
Mounting	S7	Mounting Stake
LED	LED2W	LED Lamp

Specifications

HOUSING:

Die-cast aluminum. Stem is extruded aluminum. Fasteners are 300 series stainless steel. 1/2" NPS male threads to screw onto accessory mounting stake or junction box, sold separately.

FINISH:

Thermoset polyester powdercoat is electrostatically applied after a five-stage conversion cleaning process and bonded by heat fusion thermosetting. Laboratory tested for superior weatherability and fade resistance in accordance with ASTM B117 specifications.

OPTICAL ASSEMBLY:

Frosted tempered glass lens. Spun aluminum reflector with white thermoset powdercoat.

LAMPING:

Philips 12V LED 1.2W Capsule lamp. Up to 88% energy savins when compared to a 10W Capsule halogen lamp. Long lifetime of 15,000 hours (B50,L70). Operating temperature range is between -20C and 35C (ambient). Suitable for use in enclosed luminaires where the case temperature (Tc) remains below Tc MAX. Total Lumens = 105lm Lamp is included with fixture. Lower wattage lamps are acceptable.

ELECTRICAL ASSEMBLY:

Bi-pin socket type (G4) with 250° C high temperature teflon coated wire leads. 12 Volt fixture is pre-wired with 3-ft pigtail of 18-2 AWG, 105° C, SPT-1W wire. Low voltage quick connector, catalog #LVC3 included for easy hook-up to the low voltage supply cable, not included. 12 Volt system requires remote transformer, not included.

WARRANTY:

Five-year limited warranty.

CERTIFICATIONS:

ETL listed to U.S. safety standards for wet locations. cETL listed to Canadian safety standards for wet locations. Manufactured to ISO 9001:2008 Standards.

Height :

17 1/4" (435mm)

Width:

10" (253mm)

Max. Weight:

3.18 lb.