

Aluminum Pathlyte (MUL5) Specification Sheet

Project Name:

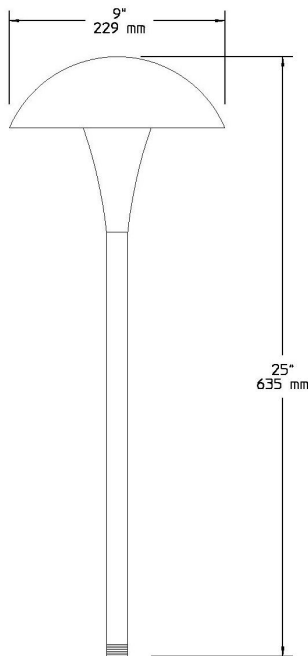
Location:

MFG: Philips Hadco

Fixture Type:

Catalog No.:

Qty:



Ordering Guide

Example: MUL5 A

| Product Code | MUL5 | Aluminum Pathlyte |
|--------------|------|-------------------|
| Finish | A | Black |
| | H | Bronze |
| | G | Verde |

Specifications

HOUSING:

Die-cast aluminum. Stem is extruded aluminum. Roof has dual stainless steel hinge with stainless steel spring-lock for tool-less entry and relamping. 1/2" NPS male threads to screw onto accessory mounting stake or junction box, sold separately.

FINISH:

Thermoset polyester powdercoat is electrostatically applied after a five-stage conversion cleaning process and bonded by heat fusion thermosetting. Laboratory tested for superior weatherability and fade resistance in accordance with ASTM B117 specifications.

OPTICAL ASSEMBLY:

Spun aluminum reflector with white thermoset powdercoat. Frosted tempered glass sprinkler shield includes top and bottom silicone gaskets for tight seal.

LAMPING:

35W maximum T3 halogen. Lamp is included with fixture. Lower wattage lamps are acceptable.

ELECTRICAL ASSEMBLY:

Bi-pin socket type (G4) with 250° C high temperature teflon coated wire leads. 12 Volt fixture is pre-wired with 3-ft pigtail of 18-2 AWG, 105° C, SPT-1W wire. Low voltage quick connector, catalog #LVC3 included for easy hook-up to the low voltage supply cable, not included. 12 Volt system requires remote transformer, not included.

WARRANTY:

Three-year limited warranty.

CERTIFICATIONS:

ETL listed to U.S. safety standards for wet locations. cETL listed to Canadian safety standards for wet locations. Manufactured to ISO 9001:2008 Standards.

Height :

25" (635mm)

Width:

9" (229mm)

Max. Weight:

5.55 lb.