

# Aluminum Pathlyte (MU5) Specification Sheet

Project Name:

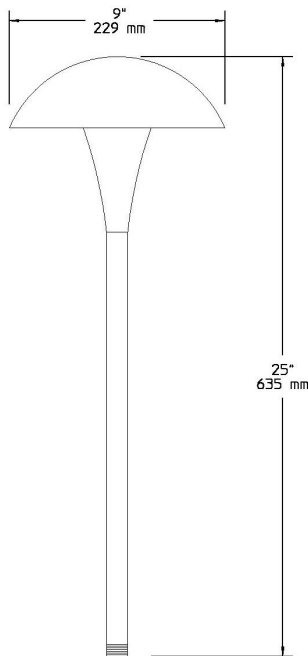
Location:

MFG: Philips Hadco

Fixture Type:

Catalog No.:

Qty:



## Ordering Guide

Example: MU5 A

<b>Product Code</b>	MU5	Aluminum Pathlyte
<b>Finish</b>	A	Black
	G	Verde
	H	Bronze

## Spacing Chart

## Specifications

### HOUSING:

Die-cast aluminum. Stem is extruded aluminum. Roof has dual stainless steel hinge with stainless steel spring-lock for tool-less entry and relamping. ½" NPS male threads to screw onto accessory mounting stake or junction box, sold separately.

### FINISH:

Thermoset polyester powdercoat is electrostatically applied after a five-stage conversion cleaning process and bonded by heat fusion thermosetting. Laboratory tested for superior weatherability and fade resistance in accordance with ASTM B117 specifications.

### OPTICAL ASSEMBLY:

Frosted tempered glass sprinkler shield includes top and bottom silicone gaskets for tight seal. Underside of roof has white reflector, with center ALZAK® reflector for optimal light distribution.

### LAMPING:

Lamp is not included. 100W maximum A19 lamp. Lower wattage lamps are acceptable.

### ELECTRICAL ASSEMBLY:

4kv rated porcelain mini-can base. Nickel-plated screw shell with center contact. Fixture is pre-wired with 18 AWG black, white, and ground wires.

### WARRANTY:

Three-year limited warranty.

### CERTIFICATIONS:

ETL listed to U.S. safety standards for wet locations. cETL listed to Canadian safety standards for wet locations. Manufactured to ISO 9001:2008 Standards.

### Height :

25" (635mm)

### Width:

9" (229mm)

### Max. Weight:

5.56 lb.