

Beacon (DWCL2) Specification Sheet

Project Name:

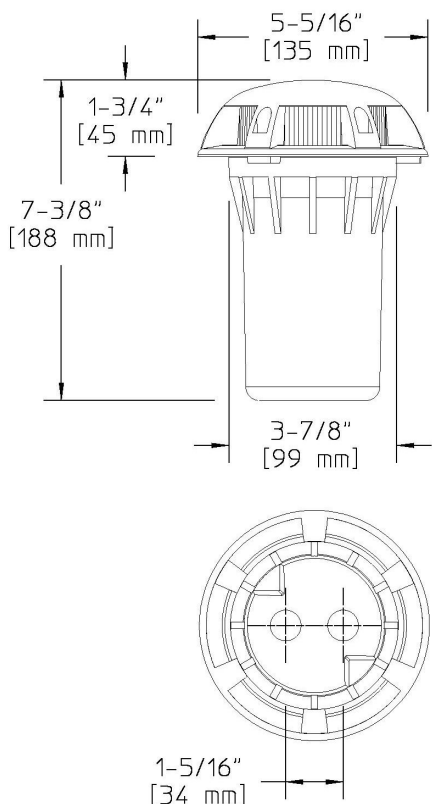
Location:

MFG: Philips Hadco

Fixture Type:

Catalog No.:

Qty:



Ordering Guide

Example: DWCL2 A

Product Code	DWCL2	Beacon
Finish	A	Black

Specifications

HOUSING:

Fasteners are 300 series stainless steel. Gasketing is silicone. Single-piece compression molded fiberglass reinforced polyester composite, factory pressure tested to ensure water will not wick or leak through. Two (2) 1/2" conduit inlets at bottom. Note: Watertight connectors and potting compound (by others) must be used to maintain a watertight seal at conduit entry points.

FINISH:

Composite is textured, pressure formed, molded-in-color.

OPTICAL ASSEMBLY:

Ribbed clear acrylic.

ELECTRICAL ASSEMBLY:

Bi-pin socket type (G4) with 250° C high temperature teflon coated wire leads. 12 Volt fixture is pre-wired with 3-ft pigtail of 18-2 AWG, 105° C, SPT-1W wire. Low voltage quick connector, catalog #LVC3 included for easy hook-up to the low voltage supply cable, not included. 12 Volt system requires remote transformer, not included.

LAMPING:

20W maximum T3 bi-pin lamp. Lamp is included with fixture. Lower wattage lamps are acceptable.

WARRANTY:

Ten-year limited warranty.

CERTIFICATIONS:

ETL listed to U.S. safety standards for wet locations. cETL listed to Canadian safety standards for wet locations. Manufactured to ISO 9001:2008 Standards.

Height :

7 3/8" (188mm)

Width:

ISO 9001:2008 Registered

Page 1 of 2



Note: Philips reserves the right to modify the above details to reflect changes in the cost of materials and/or production and/or design without prior notice.
100 Craftway Drive, Littlestown, PA 17340 | P: +1-717-359-7131 F: +1-717-359-9289 | <http://www.hadco.com> | Copyright 2013 Philips
HW2

Beacon (DWCL2) Specification Sheet

Project Name:	Location:	MFG: Philips Hadco
Fixture Type:	Catalog No.:	Qty:

5 5/16" (135mm)

Max. Weight:
2.5 lb.