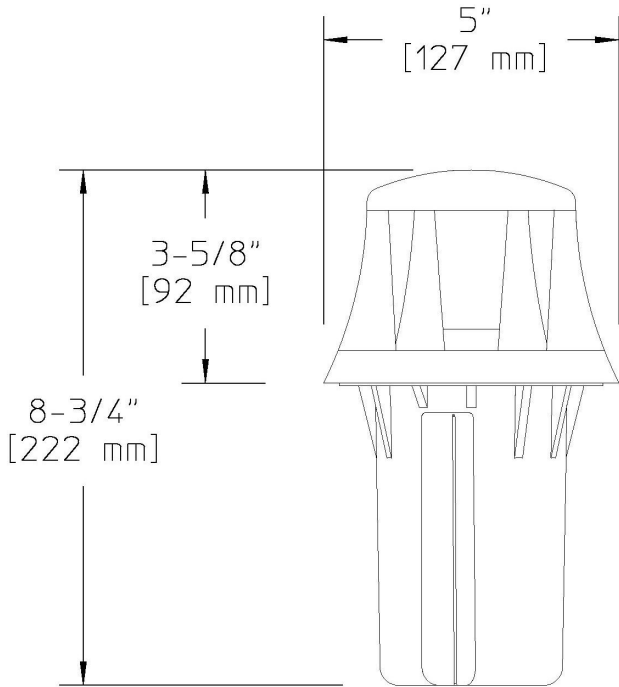


Beacon (DWCL1) Specification Sheet

Project Name:	Location:	MFG: Philips Hadco
Fixture Type:	Catalog No.:	Qty:



Ordering Guide

Example: DWCL1 A

Product Code	DWCL1	Beacon
Finish	A	Black

Spacing Chart

Specifications

HOUSING:

Single-piece compression molded fiberglass reinforced polyester composite, factory pressure tested to ensure water will not wick or leak through. Single-piece molded silicone gasket to prevent water, dust, and insect filtration. Fasteners are 300 series stainless steel. Two (2) 1/2" conduit inlets at bottom. Note: Watertight connectors and potting compound (by others) must be used to maintain a watertight seal at conduit entry points.

FINISH:

Composite is textured, pressure formed, molded-in-color.

OPTICAL ASSEMBLY:

Frosted borosilicate glass.

LAMPING:

20W maximum T3 bi-pin lamp. Lamp is included with fixture. Lower wattage lamps are acceptable.

ELECTRICAL ASSEMBLY:

Bi-pin socket type (G4) with 250° C high temperature teflon coated wire leads. 12 Volt fixture is pre-wired with 3-ft pigtail of 18-2 AWG, 105° C, SPT-1W wire. Low voltage quick connector, catalog #LVC3 included for easy hook-up to the low voltage supply cable, not included. 12 Volt system requires remote transformer, not included.

WARRANTY:

Ten-year limited warranty.

CERTIFICATIONS:

ETL listed to U.S. safety standards for wet locations. cETL listed to Canadian safety standards for wet locations. Manufactured to ISO 9001:2008 Standards.

Height :

8 3/4" (222mm)

Width:

5" (127mm)

Max. Weight:

2.5 lb