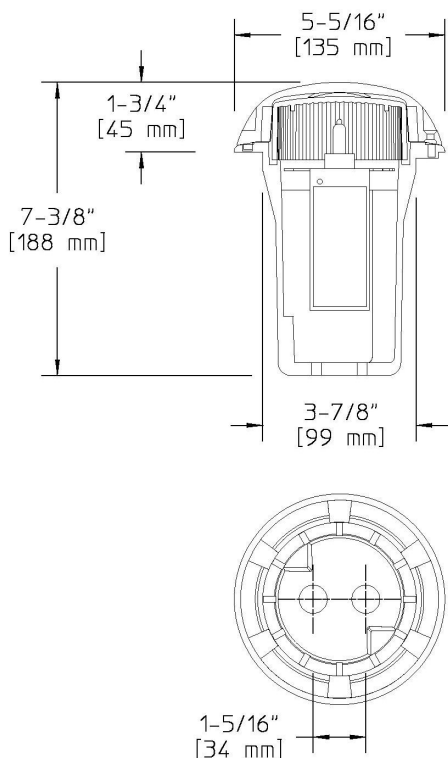


Beacon (DWC2) Specification Sheet

Project Name:	Location:	MFG: Philips Hadco
Fixture Type:	Catalog No.:	Qty:



Ordering Guide

Example: DWC2 A

Product Code	DWC2	Beacon
Finish	A	Black

Spacing Chart

Specifications

HOUSING:

Single-piece compression molded fiberglass reinforced polyester composite, factory pressure tested to ensure water will not wick or leak through. Gasketing is silicone. Fasteners are 300 series stainless steel. Two (2) 1/2" conduit inlets at bottom. Note: Watertight connectors and potting compound (by others) must be used to maintain a watertight seal at conduit entry points.

FINISH:

Composite is textured, pressure formed, molded-in-color.

OPTICAL ASSEMBLY:

Ribbed clear acrylic.

LAMPING:

20W maximum T3 bi-pin lamp. Lamp is included with fixture. Lower wattage lamps are acceptable.

ELECTRICAL ASSEMBLY:

Bi-pin socket type (G4) with 250° C high temperature teflon coated wire leads. Fixture is 12 volt. Internal electronic transformer has 120 volt input. Pre-wired with high temperature 18 AWG wire.

WARRANTY:

Ten-year limited warranty.

CERTIFICATIONS:

ETL listed to U.S. safety standards for wet locations. cETL listed to Canadian safety standards for wet locations. Manufactured to ISO 9001:2008 Standards.

Height :

7 3/8" (188mm)

Width:

5 5/16" (135mm)

Max. Weight:

ISO 9001:2008 Registered

Page 1 of 2



Note: Philips reserves the right to modify the above details to reflect changes in the cost of materials and/or production and/or design without prior notice.
 100 Craftway Drive, Littlestown, PA 17340 | P: +1-717-359-7131 F: +1-717-359-9289 | <http://www.hadco.com> | Copyright 2013 Philips
 HW2

Beacon (DWC2) Specification Sheet

Project Name:	Location:	MFG: Philips Hadco
Fixture Type:	Catalog No.:	Qty:

3 lb.