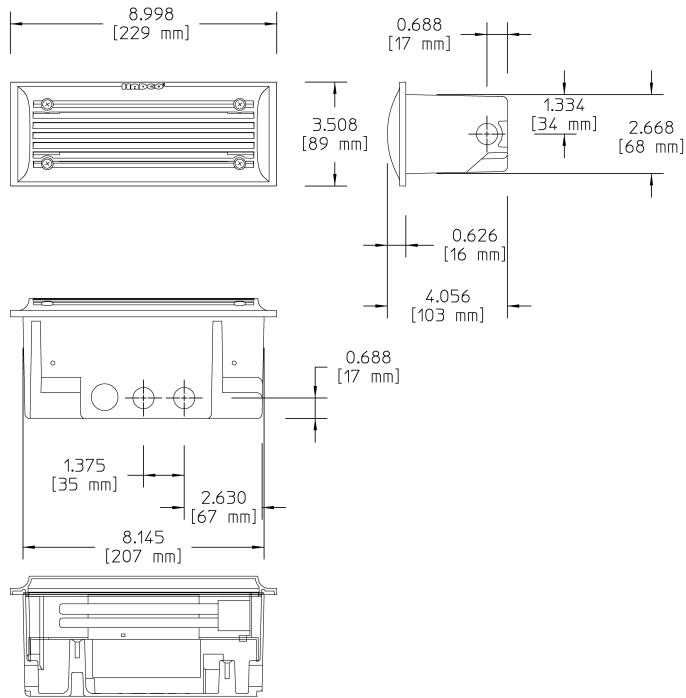


Composite (CB100) Specification Sheet

Project Name:	Location:	MFG: Philips Hadco
Fixture Type:	Catalog No.:	Qty:



Ordering Guide

Example: CB100 A K5 I E P

Product Code	CB100	Composite
Finish	A	Black
	H	Bronze
Optics	K5	Symmetric Optics
Wattage	I	40W T10
	F13	13W CFL
Voltage	E	120V
Thermal Protection	P	Thermal Protection Device *1

*1 Thermal protection device is required for installations in drywall, plaster, wood or other non-masonry materials and must be ordered as an option, except for fluorescent. Add the suffix "P" to the catalog number to order.

Specifications

HOUSING:

Die-cast aluminum back box contains less than 0.3% copper to prevent corrosion in concrete or masonry applications. Horizontal Louver Faceplate is an injection molded RYTON® composite with frosted tempered glass and stainless steel screws.

FINISH:

Zinc-rich primer and thermoset powdercoat for durability. Composite is textured, pressure formed, molded-in-color.

ELECTRICAL ASSEMBLY:

4kv rated porcelain mini-can base. Nickel-plated screw shell with center contact.

BALLAST:

Fluorescent ballast is electronic (-20° F cold weather start).

WARRANTY:

Three-year limited warranty.

CERTIFICATIONS:

ETL listed to U.S. safety standards for wet locations. cETL listed to Canadian safety standards for wet locations. Manufactured to ISO 9001:2008 Standards. ADA Compliant when used in indoor and outdoor wall applications.

Height :

3 1/2" (90mm)

Width:

9" (229mm)

Depth:

4 11/16" (103mm)

Max. Weight:

3.5 lb.