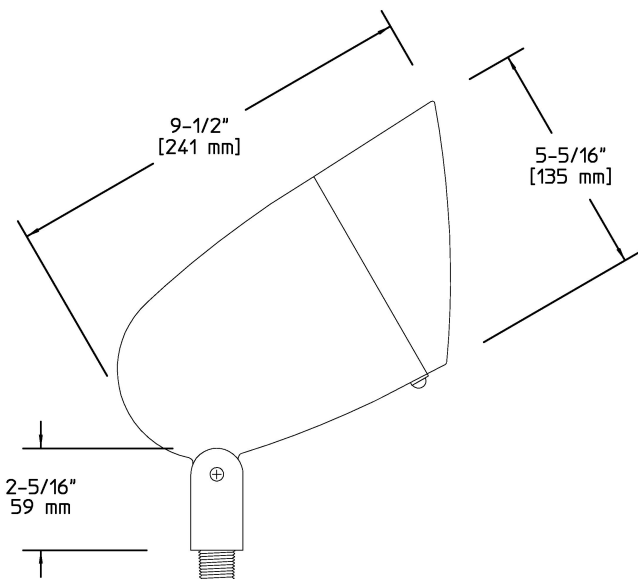


# LED Aluminum Bullyte (B3) Specification Sheet

|               |              |                    |
|---------------|--------------|--------------------|
| Project Name: | Location:    | MFG: Philips Hadco |
| Fixture Type: | Catalog No.: | Qty:               |



## Ordering Guide

Example: B3 A LED13 NF W

|                      |             |                          |
|----------------------|-------------|--------------------------|
| <b>Product Code</b>  | B3          | LED Aluminum Bullyte     |
| <b>Finish</b>        | A<br>H<br>G | Black<br>Bronze<br>Verde |
| <b>Source/Lumens</b> | LED13       | 13W LED *2,3             |
| <b>Optics</b>        | NF          | Narrow Flood             |
| <b>CCT</b>           | W           | Warm                     |

\*1 Lamp will be shipped with fixture, but not installed. Lamp not sold separately.

\*2 13W LED only available in (W) warm CCT and (NF) narrow flood optics.

\*3 120 volt aluminum accent LED

## Specifications

### HOUSING:

Die-cast aluminum. Fully-adjustable swivel arm with vibration-proof locking teeth. Gasketing is silicone. Fasteners are 300 series stainless steel. Fully rotatable shroud, gasketed, cast aluminum. 1/2" NPS male threads to screw onto accessory mounting stake or junction box, sold separately.

### FINISH:

Thermoset polyester powdercoat is electrostatically applied after a five-stage conversion cleaning process and bonded by heat fusion thermosetting.

### OPTICAL ASSEMBLY:

Clear tempered glass affixed at 10° angle for natural cleaning.

### LAMPING:

13W lamp with 25° beam spread. 25,000 hours life. Color temperature (CCT): warm white (2,700K nominal). No Mercury.

### ELECTRICAL ASSEMBLY:

4kv rated porcelain medium base. Nickel-plated screw shell with center contact.

### WARRANTY:

Three-year limited warranty.

### CERTIFICATIONS:

ETL listed to U.S. safety standards for wet locations. cETL listed to Canadian safety standards for wet locations. Manufactured to ISO 9001:2008 Standards.

### Width:

5 5/16" (135mm)

### Length:

9 1/2" (241mm)

### Max. Weight:

2.96 lb.