



Hadco Victorian V72 LED post top is a traditionally styled luminaire with a highly efficient LED lamp inside. This LED lamp provides energy efficiency without sacrificing lumens for much needed safety along walkways in cities and neighborhoods. It also allows for lower maintenance due to a longer life and fewer internal parts. Powered by TrueForce LED lamp, V72 is a fiscally economical choice for communities on a budget. TrueForce LED lamp is shipped with the luminaire.

Project: _____
 Location: _____
 Cat.No: _____
 Type: _____
 Lumens: _____ Qty: _____
 Notes: _____

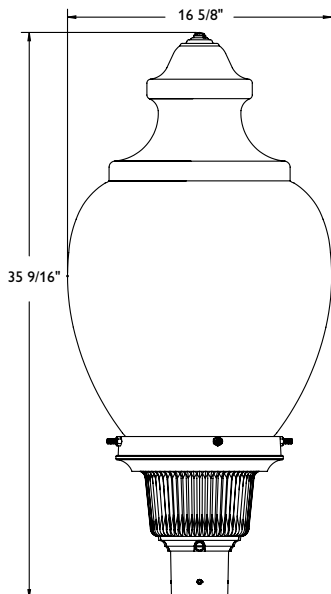
Ordering guide

Example: V72-A-T0-N-G-38L730R-F

Series	Finish	Optics	Photo control	Socket	Wattage	Voltage
V72						
V72 Victorian large	A Black B White G Verde H Bronze I Gray J Green	T0 Clear TOC Visual comfort	N None B Button eye	D Medium G Mogul	26L730 ¹ 26L740 ¹ 35L730 ² 35L740 ² 38L730R ² 38L740R ² 55L730 ² 55L740 ²	E 120V F 208 V G 240V H 277V

- 1. Only available with medium (D) socket
- 2. Only available with mogul (G) socket

Dimensions



- Width:** 16-5/8" / 42cm diameter
- Height:** 35-9/16" / 90cm
- EPA:** 1.17 sq. ft (*maximum*)
- Weight:** 32 lbs / 14.52 kg (*maximum*)

V72 Victorian

Post top, large

LED Wattage and Lumen Values: Victorian V72

Clear Textured Globe 3000K		Lamp		
Ordering Code:	Average System Wattage (W)	Delivered Lumens	Efficacy (LPW)	BUG Rating
TO-26L730	26W	2887	112	B1-U5-G2
TO-35L730	35W	4665	137	B1-U5-G3
TO-38L730R	38W	4708	126	B1-U5-G3
TO-55L730	55W	7343	140	B2-U5-G4

Visual Comfort Globe 3000K		Lamp		
Ordering Code:	Average System Wattage (W)	Delivered Lumens	Efficacy (LPW)	BUG Rating
TOC-26L730	26W	2894	113	B1-U5-G3
TOC-35L730	35W	4677	139	B1-U5-G3
TOC-38L730R	38W	4720	126	B1-U5-G3
TOC-55L730	55W	7362	141	B2-U5-G4

Clear Textured Globe 4000K		Lamp		
Ordering Code:	Average System Wattage (W)	Delivered Lumens	Efficacy (LPW)	BUG Rating
TO-26L740	26W	3101	126	B1-U5-G2
TO-35L740	35W	4665	136	B1-U5-G3
TO-38L740R	38W	5258	139	B2-U5-G3
TO-55L740	55W	7885	152	B2-U5-G4

Visual Comfort Globe 4000K		Lamp		
Ordering Code:	Average System Wattage (W)	Delivered Lumens	Efficacy (LPW)	BUG Rating
TOC-26L740	26W	3109	126	B1-U5-G2
TOC-35L740	35W	4677	137	B1-U5-G3
TOC-38L740R	38W	5271	139	B2-U5-G3
TOC-55L740	55W	7905	153	B2-U5-G4

Values from photometric tests performed in accordance with IESNA LM-79 and are representative of the configurations shown. Actual performance may vary due to installation and environmental variables, LED and driver tolerances, and field measurement considerations. It is highly recommended to confirm performance with a photometric layout.

NOTE: Some data may be scaled based on tests of similar (but not identical) luminaires. Contact factory for configurations not shown.

Specifications:

Housing

360 low-copper die-cast aluminum alloy. Fitter: Slip Fitter Dimensions: 3" I.D. x 3" deep.

LED Lamp

Lamp included. Medium or Mogul Base socket lamp, composed of high-performance white LEDs. Color temperature, 3000 or 4000 Kelvin. CRI 70 Nominal. Power factor of 90% minimum Electronic driver, operating range 50/60 Hz. Auto-adjusting universal voltage input from 120 to 277 VAC Maximum ambient operating temperature from -40F(-40C) to 130F(55C)

Luminaire Useful Life

50,000 hours L70 25C

Hardware

All non-ferrous fasteners prevent corrosion and ensure longer life.

Wiring

18 AWG wire, 6" (152mm) minimum exceeding from luminaire.

Finish

Color in accordance with the AAMA 2603 standard. Application of polyester powder coat paint (4 mils/100 microns) with ± 1 mils / 24 microns of tolerance. The Thermosetting resins provides a discoloration resistant finish in accordance with the ASTM D2244 standard, as well as luster retention in keeping with the ASTM D523 standard and humidity proof in accordance with the ASTM D2247 standard. The surface treatment achieves a minimum of 2000 hours for salt spray resistant finish in accordance with testing performed and per ASTM B117 standard.

LED products manufacturing standard

Electrostatic discharge (ESD) such as light emitting diodes (LEDs) are assembled in compliance with IEC61340 5 1 and ANSI/ ESD S20.20 standards so as to eliminate ESD events that could decrease the useful life of the product.

Quality Control

The manufacturer must provide a written confirmation of its ISO 9001 2008 and ISO 14001 2004 International Quality Standards Certification. Meets the ANSI C136.31 2010, American national Standard for Roadway Luminaire Vibration specifications for Normal Applications.

Certifications and Compliance

cETL listed to Canadian safety standards for wet locations. Manufactured to ISO 9001:2008 Standards. UL8750 and UL1598 compliant. ETL listed to U.S. safety standards for wet locations. cETL listed to Canadian safety standards for wet locations. LM80 & LM79 tested.

Warranty

5 year extended warranty.

The information presented in this document is not intended as any commercial offer and does not form part of any quotation or contract.

