



Hadco TownView LED post top luminaires were designed to eliminate the compromises of performance, comfort, style options and value when choosing the right lighting solution for residential street and pedestrian area. The horizontal lens option reduces glare to enhance a sense of security with increased visual comfort. TownView offers design flexibility with a variety of style options, lumen packages, a range of control options and more at exceptional value.

Project: _____
 Location: _____
 Cat.No: _____
 Type: _____
 Lamps: _____ Qty: _____
 Notes: _____

Ordering guide: Luminaire

example: TVPC-S3-S-32-G1-7-3S-730-A-N-R7-N-SP1-T-N-N-BKS

Series	Mounting	Roof option	LED module	Generation	Drive current	Distribution	Color temp.	Voltage	Driver Option ³
TVPC TownView with visual comfort panels	A ¹ Arm Mt L ⁴ Large Post Top Fitter 4" (tool less entry)	S Square Roof C ¹ Curved Roof	16 16 LEDs	G1 Gen 1	5 530 mA 7 700 mA 9 900 mA 1 1050 mA	2H Type 2 House-side shield	730 3000K (70 CRI) 740 4000K (70 CRI)	A 120-277V J 480V K 347V	DA ⁵ 4 Hrs 25% Reduction DB ⁵ 4 Hrs 50% Reduction DC ⁵ 4 Hrs 75% Reduction DD ⁵ 6 Hrs 25% Reduction DE ⁵ 6 Hrs 50% Reduction DF ⁵ 6 Hrs 75% Reduction DG ⁵ 8 Hrs 25% Reduction DH ⁵ 8 Hrs 50% Reduction DJ ⁵ 8 Hrs 75% Reduction DL ^{4,5} DALI (default: logarithmic) CLO ⁵ Constant light output AST ⁵ Adjustable startup time OTL ⁵ Over the life (default: L70 hrs) S ¹⁰ FAWS Field adjustable wattage selector SRD ^{4,5} Sensor ready driver (standard configuration) N None
			32 32 LEDs	G1 Gen 1	5 530 mA 7 700 mA 8 800 mA 1 1050 mA	2S Type 2 Short 3S Type 3 Short 3SH Type 3 Short House-side shield	827 ² 2700K (80 CRI)		
			48 48 LEDs	G1 Gen 1	5 530 mA 7 700 mA	3W Type 3 Wide 3WH Type 3 Wide House-side shield 5 Type 5			
TVPR TownView with vertical ribbed panels	L ³ Large Post Top Fitter 3" (tool less entry) S ² Small Post Fitter 2-3/8" S ³ Small Post Fitter 3" S ⁴ Small Post Fitter 4"								

Ordering guide (continued)

Photo Control Receptacle	Sensor Receptacle ⁸	Surge Protection	Term Block	Decorative Option	Bird Guard	Finish ⁹
	N				N	
R7 7 Pin toolless rotatable standard - no photocell PH8 ⁷ 7 Pin toolless rotatable standard - with photocell PH9 7 Pin toolless rotatable standard - with shorting cap PHX ⁵ 7 Pin toolless rotatable standard - with long life photocell	N None	SP1 10kV/10kA Surge Protector SP2 20kV/10kA Surge Protector	T Terminal Block N None	L ⁶ Ladder Rest N None	N None	BKS Black Smooth WHS White Smooth BZS Bronze Smooth GNS Green Smooth BK Black Texture WH White Texture BZ Bronze Texture GN Green Texture

Footnotes see page 2.



TVPC/TVPR TownView

Post top and arm mount luminaire

Ordering Guide: Arm mount

Must be ordered as a separate line item (if Arm Mount option is chosen for fixture).

Code	Mount	Width	Options	Finish
TV	A	55	S	
TV TownView	A Arm Mount	55 55.5" wide	S Decorative Scroll	BKS Black Smooth WHS White Smooth BZS Bronze Smooth GNS Green Smooth BK Black Texture WH White Texture BZ Bronze Texture GN Green Texture

Only available with Square roof

Footnotes

- Only **S** Square roof available with **A** Arm Mount
- Consult factory for information and lead time
- Only pick one option from the Control list - for multiple control options consult the factory
- This option requires more information contact factory
- Only available with **120-277 V**
- Ladder rest option not available with Arm Mount
- Not available with **347V**
- Order a **TVLN** (no panel version if you want the **SR** Receptacle option) Or consult factory to review sensor compatibility with panels.
- When any finish other than **BKS** or **BK** is selected cupola will be metal and painted to match finish. Cupola supplied with **BKS** or **BK** finish option may be used with Interact City Astro-Clock node. If using Interact City with other finishes, cupola must be removed and Astro-Clock node is not required.
- Position 10 is open for receptacle control, must use one or the other not BOTH.
- SR** Receptacle only available with 32 LED (receptacle is mounted in the middle of the boards) and **SRD** Driver is required if you choose this receptacle

Dimensions: Arm mount

TVPx-A-S

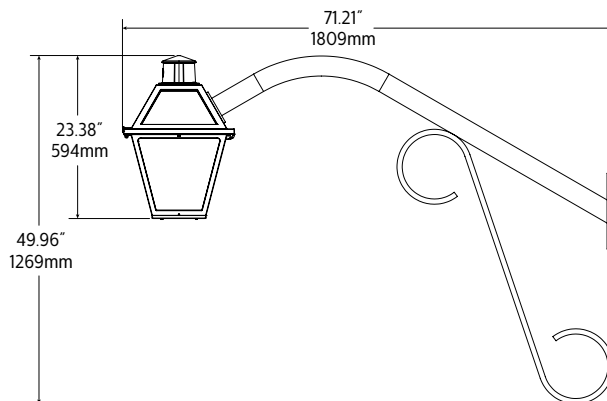
Arm: Made of aluminum tubing

Decorative Element: Bent aluminum decorative channel scroll mechanically assembled.

Mounting Plate: Made of aluminum, mechanically fastened to the pole.

EPA Values

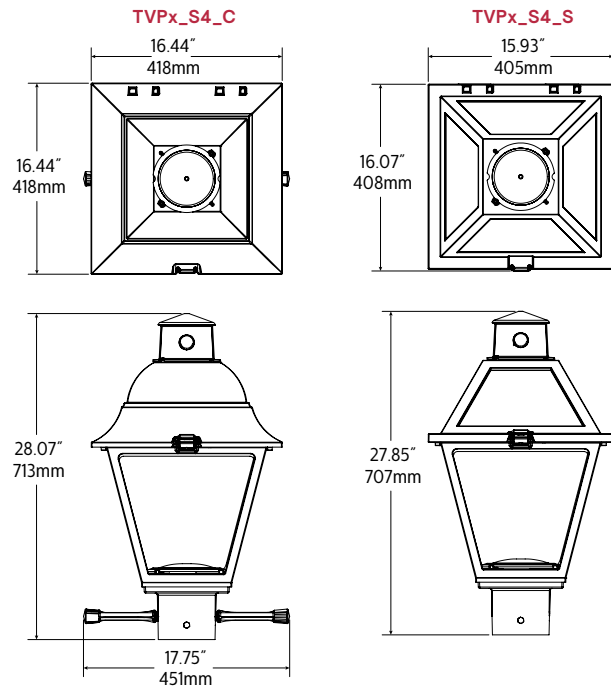
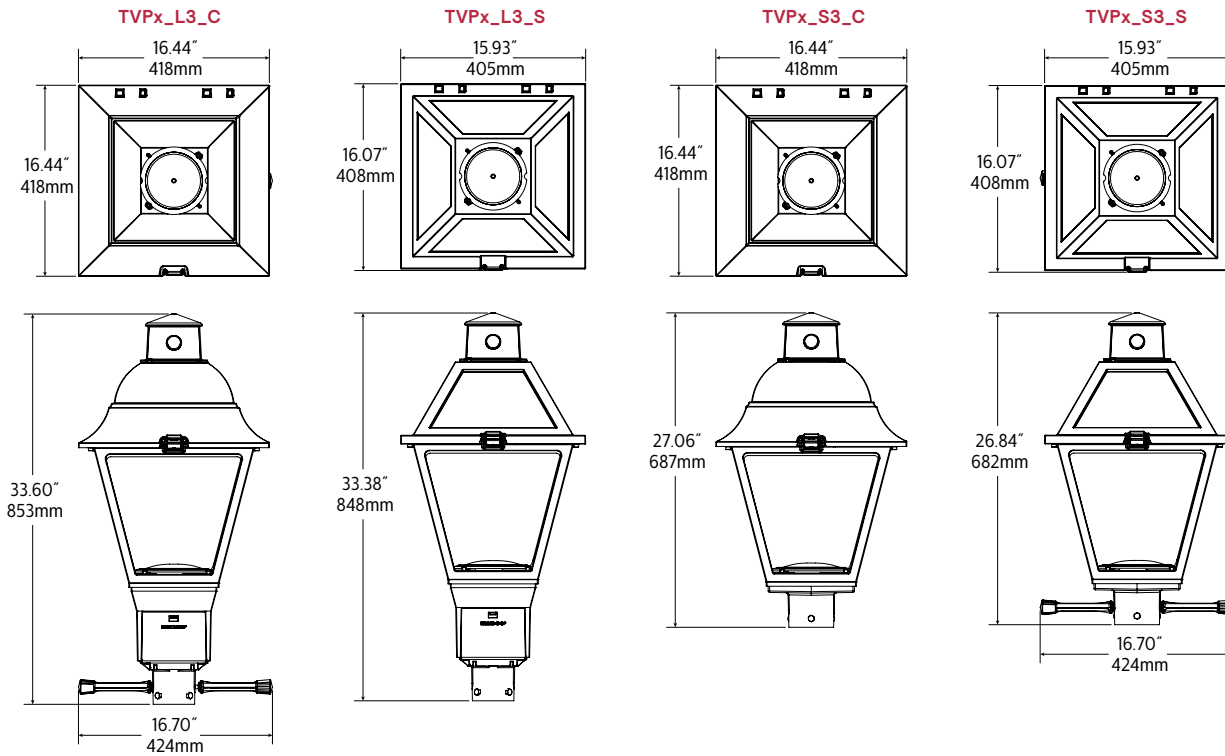
	Weight	EPA
TVPx-A-S	14 lbs	1.98 ft ² .



TVPC/TVPR TownView

Post top and arm mount luminaire

Dimensions: Luminaire



EPA Values

	Weight	EPA
TVPx-L3-C	24.75 lbs	1.75 sq. ft.
TVPx-L3-S		
TVPx-S2/S3-C	23.50 lbs	1.49 sq. ft.
TVPx-S2/S3-S		
TVPx-S4-C	24.38 lbs	1.54 sq. ft.
TVPx-S4-S		
TVPx-A-S	22.13 lbs	1.39 sq. ft.

TVPC/TVPR TownView

Post top and arm mount luminaire

Predicted Lumen Depreciation Data

Predicted performance derived from LED manufacturer's data and engineering design estimates, based on IESNA LM-80 methodology. Actual experience may vary due to field application conditions. L70 is the predicted time when LED performance depreciates to 70% of initial lumen output. Calculated per IESNA TM21-11. Published L70 hours limited to 6 times actual LED test hours.

Ambient Temperature °C	Driver mA	Calculated L70 Hours	L70 per TM-21	Lumen Maintenance % at 60,000 hrs
25°C	up to 1050 mA	>100,000 hours	>54,000 hours	>96%

Field Adjustable Wattage (FAWS) Multiplier Chart

FAWS Position	Typical Delivered Lumens Multiplier	Typical System wattage
1	0.31	0.28
2	0.53	0.50
3	0.62	0.58
4	0.70	0.67
5	0.78	0.75
6	0.83	0.81
7	0.89	0.87
8	0.92	0.91
9	0.96	0.95
10	1.00	1.00

Note: Typical value accuracy +/- 5%

LED Lumen values - TVPC (Visual Comfort Panels)

Ordering Code	LED qty.	System Current (mA)	Color Temp.	Avg. System Wattage (W)	Type 2S			Type 3S			Type 3W			Type 5		
					Lumen Output	Efficacy (LPW)	BUG Rating	Lumen Output	Efficacy (LPW)	BUG Rating	Lumen Output	Efficacy (LPW)	BUG Rating	Lumen Output	Efficacy (LPW)	BUG Rating
TVPC-16-G1-5-x-730	16	530	3000	29	2,621	91	B1-U2-G1	2,788	96	B1-U2-G1	2,779	96	B1-U2-G1	2,930	101	B1-U2-G1
TVPC-16-G1-7-x-730	16	700	3000	38	3,316	87	B1-U2-G1	3,527	93	B1-U3-G1	3,516	92	B1-U3-G1	3,707	97	B1-U3-G1
TVPC-16-G1-9-x-730	16	900	3000	49	4,069	83	B1-U3-G1	4,328	89	B1-U3-G1	4,314	88	B1-U3-G2	4,548	93	B1-U3-G1
TVPC-16-G1-1-x-730	16	1050	3000	57	4,586	81	B1-U2-G1	4,878	86	B1-U3-G1	4,862	85	B1-U3-G1	5,126	90	B1-U3-G1
TVPC-32-G1-5-x-730	32	530	3000	53	5,103	96	B1-U3-G1	5,342	100	B1-U3-G1	5,390	101	B2-U3-G2	5,617	105	B1-U3-G2
TVPC-32-G1-7-x-730	32	700	3000	70	6,443	92	B2-U3-G2	6,744	96	B2-U3-G2	6,805	97	B2-U3-G2	7,091	101	B1-U3-G2
TVPC-32-G1-8-x-730	32	800	3000	80	7,170	89	B1-U3-G1	7,505	93	B1-U3-G1	7,572	94	B1-U3-G2	7,892	98	B1-U3-G2
TVPC-32-G1-1-x-730	32	1050	3000	108	9,006	83	B2-U3-G2	9,427	87	B2-U3-G2	9,512	88	B2-U3-G2	9,913	91	B1-U3-G2
TVPC-48-G1-5-x-730	48	530	3000	81	7,780	96	B2-U3-G2	8,144	101	B1-U3-G2	8,217	102	B2-U3-G2	8,564	106	B1-U3-G2
TVPC-48-G1-7-x-730	48	700	3000	105	9,766	93	B2-U3-G2	10,223	98	B2-U3-G2	10,315	98	B2-U3-G2	10,750	103	B2-U3-G2
TVPC-16-G1-5-x-740	16	530	4000	29	2,882	99	B1-U2-G1	3,065	105	B1-U2-G1	3,055	105	B1-U2-G1	3,221	110	B1-U2-G1
TVPC-16-G1-7-x-740	16	700	4000	39	3,646	95	B1-U2-G1	3,878	101	B1-U3-G1	3,865	100	B1-U3-G1	4,075	106	B1-U3-G1
TVPC-16-G1-9-x-740	16	900	4000	49	4,473	90	B1-U3-G1	4,758	96	B1-U3-G1	4,743	96	B1-U3-G2	5,001	101	B1-U3-G1
TVPC-16-G1-1-x-740	16	1050	4000	58	5,042	88	B1-U2-G1	5,363	93	B1-U3-G1	5,345	93	B1-U3-G1	5,636	98	B1-U3-G1
TVPC-32-G1-5-x-740	32	530	4000	54	5,611	104	B1-U3-G1	5,873	109	B1-U3-G1	5,926	110	B2-U3-G2	6,176	114	B1-U3-G2
TVPC-32-G1-7-x-740	32	700	4000	71	7,083	100	B2-U3-G2	7,414	104	B2-U3-G2	7,481	105	B2-U3-G2	7,797	110	B1-U3-G2
TVPC-32-G1-8-x-740	32	800	4000	81	7,883	97	B1-U3-G1	8,251	102	B1-U3-G1	8,326	102	B1-U3-G2	8,677	107	B1-U3-G2
TVPC-32-G1-1-x-740	32	1050	4000	110	9,902	90	B2-U3-G2	10,365	95	B2-U3-G2	10,458	95	B2-U3-G2	10,899	99	B1-U3-G2
TVPC-48-G1-5-x-740	48	530	4000	82	8,554	105	B2-U3-G2	8,954	110	B1-U3-G2	9,034	111	B2-U3-G2	9,415	115	B1-U3-G2
TVPC-48-G1-7-x-740	48	700	4000	106	10,738	101	B2-U3-G2	11,240	106	B2-U3-G2	11,341	107	B2-U3-G2	11,819	112	B2-U3-G2

Actual performance may vary due to installation variables including optics, mounting/ceiling height, dirt depreciation, light loss factor, etc.; highly recommended to confirm performance with a layout - contact Applications at outdoorlighting.applications@philips.com. Consult DLC QPL to confirm your specific fixture selection is DLC approved.

Note: Some data may be scaled based on tests of similar but not identical luminaires.

TVPC/TVPR TownView

Post top and arm mount luminaire

LED Lumen values – TVPC (Visual Comfort Panels and House-side shield)

Ordering Code	LED qty.	System Current (mA)	Color Temp.	Avg. System Wattage (W)	Type 2SH			Type 3SH			Type 3WSH		
					Lumen Output	Efficacy (LPW)	BUG Rating	Lumen Output	Efficacy (LPW)	BUG Rating	Lumen Output	Efficacy (LPW)	BUG Rating
TVPC-16-G1-5-x-730	16	530	3000	29	2,094	72	B0-U2-G1	2,322	80	B0-U2-G1	2,155	75	B1-U2-G1
TVPC-16-G1-7-x-730	16	700	3000	38	2,649	70	B1-U2-G1	2,938	77	B1-U2-G1	2,726	72	B1-U3-G1
TVPC-16-G1-9-x-730	16	900	3000	49	3,251	66	B1-U2-G1	3,605	74	B1-U3-G1	3,345	68	B1-U3-G1
TVPC-16-G1-1-x-730	16	1050	3000	57	3,664	64	B1-U2-G1	4,062	71	B1-U2-G1	3,770	66	B1-U3-G1
TVPC-32-G1-5-x-730	32	530	3000	53	4,018	75	B1-U3-G1	4,362	82	B1-U3-G1	4,291	80	B1-U3-G1
TVPC-32-G1-7-x-730	32	700	3000	70	5,073	72	B1-U3-G1	5,507	78	B1-U3-G1	5,417	77	B1-U3-G2
TVPC-32-G1-8-x-730	32	800	3000	80	5,645	70	B1-U3-G1	6,128	76	B1-U3-G1	6,028	75	B1-U3-G1
TVPC-32-G1-1-x-730	32	1050	3000	108	7,091	65	B1-U3-G1	7,698	71	B1-U3-G2	7,572	70	B1-U3-G2
TVPC-48-G1-5-x-730	48	530	3000	81	6,126	76	B1-U3-G1	6,650	82	B1-U3-G1	6,541	81	B1-U3-G2
TVPC-48-G1-7-x-730	48	700	3000	105	7,690	73	B1-U3-G2	8,348	80	B1-U3-G2	8,211	78	B1-U3-G2
TVPC-16-G1-5-x-740	16	530	4000	29	2,302	79	B0-U2-G1	2,553	87	B0-U2-G1	2,369	81	B1-U2-G1
TVPC-16-G1-7-x-740	16	700	4000	39	2,913	76	B1-U2-G1	3,230	84	B1-U2-G1	2,997	78	B1-U3-G1
TVPC-16-G1-9-x-740	16	900	4000	49	3,574	72	B1-U2-G1	3,963	80	B1-U3-G1	3,678	74	B1-U3-G1
TVPC-16-G1-1-x-740	16	1050	4000	58	4,028	70	B1-U2-G1	4,466	78	B1-U2-G1	4,145	72	B1-U3-G1
TVPC-32-G1-5-x-740	32	530	4000	54	4,418	82	B1-U3-G1	4,796	89	B1-U3-G1	4,718	87	B1-U3-G1
TVPC-32-G1-7-x-740	32	700	4000	71	5,577	79	B1-U3-G1	6,055	85	B1-U3-G1	5,955	84	B1-U3-G2
TVPC-32-G1-8-x-740	32	800	4000	81	6,207	76	B1-U3-G1	6,738	83	B1-U3-G1	6,628	82	B1-U3-G1
TVPC-32-G1-1-x-740	32	1050	4000	110	7,796	71	B1-U3-G1	8,464	77	B1-U3-G2	8,325	76	B1-U3-G2
TVPC-48-G1-5-x-740	48	530	4000	82	6,735	82	B1-U3-G1	7,312	89	B1-U3-G1	7,192	88	B1-U3-G2
TVPC-48-G1-7-x-740	48	700	4000	106	8,454	80	B1-U3-G2	9,178	87	B1-U3-G2	9,028	85	B1-U3-G2

LED Lumen values – TVPR (Vertical Ribbed Panels)

Ordering Code	LED qty.	System Current (mA)	Color Temp.	Avg. System Wattage (W)	Type 2S			Type 3S			Type 3W			Type 5		
					Lumen Output	Efficacy (LPW)	BUG Rating	Lumen Output	Efficacy (LPW)	BUG Rating	Lumen Output	Efficacy (LPW)	BUG Rating	Lumen Output	Efficacy (LPW)	BUG Rating
TVPR-16-G1-5-x-730	16	530	3000	29	2,750	95	B1-U2-G1	2,940	102	B1-U2-G1	2,920	101	B1-U3-G1	3,096	107	B2-U3-G1
TVPR-16-G1-7-x-730	16	700	3000	38	3,479	91	B1-U2-G1	3,719	98	B1-U2-G1	3,694	97	B1-U3-G1	3,917	103	B2-U3-G1
TVPR-16-G1-9-x-730	16	900	3000	49	4,269	87	B1-U3-G1	4,564	93	B1-U3-G1	4,533	93	B1-U3-G1	4,806	98	B3-U3-G1
TVPR-16-G1-1-x-730	16	1050	3000	57	4,811	85	B1-U3-G1	5,144	90	B1-U3-G1	5,109	90	B1-U3-G1	5,417	95	B3-U3-G1
TVPR-32-G1-5-x-730	32	530	3000	53	5,380	101	B1-U3-G1	5,602	105	B1-U3-G1	5,611	105	B1-U3-G1	5,884	110	B3-U3-G2
TVPR-32-G1-7-x-730	32	700	3000	70	6,792	97	B2-U3-G2	7,071	101	B1-U3-G2	7,083	101	B1-U3-G2	7,428	106	B3-U3-G2
TVPR-32-G1-8-x-730	32	800	3000	80	7,558	94	B2-U3-G2	7,869	98	B1-U3-G2	7,882	98	B2-U3-G2	8,266	103	B3-U3-G2
TVPR-32-G1-1-x-730	32	1050	3000	108	9,494	88	B2-U3-G2	9,885	91	B2-U3-G2	9,901	91	B2-U3-G2	10,383	96	B4-U3-G2
TVPR-48-G1-5-x-730	48	530	3000	81	8,202	102	B2-U3-G2	8,539	106	B2-U3-G2	8,553	106	B2-U3-G2	8,970	111	B4-U3-G2
TVPR-48-G1-7-x-730	48	700	3000	105	10,296	98	B2-U3-G2	10,720	102	B2-U3-G2	10,737	102	B2-U3-G2	11,260	107	B4-U3-G2
TVPR-16-G1-5-x-740	16	530	4000	29	3,023	103	B1-U2-G1	3,232	111	B1-U2-G1	3,210	110	B1-U3-G1	3,404	116	B2-U3-G1
TVPR-16-G1-7-x-740	16	700	4000	39	3,825	99	B1-U2-G1	4,089	106	B1-U2-G1	4,062	105	B1-U3-G1	4,306	112	B2-U3-G1
TVPR-16-G1-9-x-740	16	900	4000	49	4,693	95	B1-U3-G1	5,018	101	B1-U3-G1	4,984	101	B1-U3-G1	5,284	107	B3-U3-G1
TVPR-16-G1-1-x-740	16	1050	4000	58	5,290	92	B1-U3-G1	5,655	98	B1-U3-G1	5,617	98	B1-U3-G1	5,955	104	B3-U3-G1
TVPR-32-G1-5-x-740	32	530	4000	54	5,915	110	B1-U3-G1	6,159	114	B1-U3-G1	6,169	114	B1-U3-G1	6,469	120	B3-U3-G2
TVPR-32-G1-7-x-740	32	700	4000	71	7,467	105	B2-U3-G2	7,775	110	B1-U3-G2	7,787	110	B1-U3-G2	8,166	115	B3-U3-G2
TVPR-32-G1-8-x-740	32	800	4000	81	8,310	102	B2-U3-G2	8,652	106	B2-U3-G2	8,666	107	B2-U3-G2	9,088	112	B3-U3-G2
TVPR-32-G1-1-x-740	32	1050	4000	110	10,438	95	B2-U3-G2	10,868	99	B2-U3-G2	10,886	99	B2-U3-G2	11,416	104	B4-U3-G2
TVPR-48-G1-5-x-740	48	530	4000	82	9,017	110	B2-U3-G2	9,389	115	B2-U3-G2	9,404	115	B2-U3-G2	9,862	121	B4-U3-G2
TVPR-48-G1-7-x-740	48	700	4000	106	11,319	107	B2-U3-G2	11,786	111	B2-U3-G2	11,805	111	B2-U3-G2	12,379	117	B4-U3-G2

Actual performance may vary due to installation variables including optics, mounting/ceiling height, dirt depreciation, light loss factor, etc.; highly recommended to confirm performance with a layout - contact Applications at outdoorlighting.applications@philips.com. Consult DLC QPL to confirm your specific fixture selection is DLC approved.

Note: Some data may be scaled based on tests of similar but not identical luminaires.

TVPC/TVPR TownView

Post top and arm mount luminaire

LED Lumen values - TVPR (Vertical Ribbed Panels and House-side shield)

Ordering Code	LED qty.	System Current (mA)	Color Temp.	Avg. System Wattage (W)	Type 2SH			Type 3SH			Type 3WSH		
					Lumen Output	Efficacy (LPW)	BUG Rating	Lumen Output	Efficacy (LPW)	BUG Rating	Lumen Output	Efficacy (LPW)	BUG Rating
TVPR-16-G1-5-x-730	16	530	3000	29	2,210	76	B1-U2-G1	2,457	85	B1-U2-G1	2,265	78	B1-U3-G1
TVPR-16-G1-7-x-730	16	700	3000	38	2,796	73	B1-U2-G1	3,108	82	B1-U2-G1	2,865	75	B1-U3-G1
TVPR-16-G1-9-x-730	16	900	3000	49	3,431	70	B1-U3-G1	3,814	78	B1-U3-G1	3,516	72	B1-U3-G1
TVPR-16-G1-1-x-730	16	1050	3000	57	3,866	68	B1-U3-G1	4,299	76	B1-U3-G1	3,963	70	B1-U3-G1
TVPR-32-G1-5-x-730	32	530	3000	53	4,265	80	B1-U3-G1	4,610	86	B1-U3-G1	4,476	84	B1-U3-G1
TVPR-32-G1-7-x-730	32	700	3000	70	5,385	77	B1-U3-G1	5,820	83	B1-U3-G1	5,651	80	B1-U3-G2
TVPR-32-G1-8-x-730	32	800	3000	80	5,992	75	B1-U3-G1	6,476	81	B1-U3-G1	6,288	78	B1-U3-G2
TVPR-32-G1-1-x-730	32	1050	3000	108	7,527	69	B2-U3-G2	8,135	75	B2-U3-G2	7,899	73	B2-U3-G2
TVPR-48-G1-5-x-730	48	530	3000	81	6,502	80	B1-U3-G2	7,028	87	B1-U3-G2	6,824	84	B1-U3-G2
TVPR-48-G1-7-x-730	48	700	3000	105	8,162	78	B2-U3-G2	8,822	84	B2-U3-G2	8,566	82	B2-U3-G2
TVPR-16-G1-5-x-740	16	530	4000	29	2,430	83	B1-U2-G1	2,701	92	B1-U2-G1	2,490	85	B1-U3-G1
TVPR-16-G1-7-x-740	16	700	4000	39	3,074	80	B1-U2-G1	3,418	89	B1-U2-G1	3,150	82	B1-U3-G1
TVPR-16-G1-9-x-740	16	900	4000	49	3,772	76	B1-U3-G1	4,193	85	B1-U3-G1	3,866	78	B1-U3-G1
TVPR-16-G1-1-x-740	16	1050	4000	58	4,251	74	B1-U3-G1	4,726	82	B1-U3-G1	4,357	76	B1-U3-G1
TVPR-32-G1-5-x-740	32	530	4000	54	4,690	87	B1-U3-G1	5,068	94	B1-U3-G1	4,921	91	B1-U3-G1
TVPR-32-G1-7-x-740	32	700	4000	71	5,920	83	B1-U3-G1	6,398	90	B1-U3-G1	6,213	88	B1-U3-G2
TVPR-32-G1-8-x-740	32	800	4000	81	6,588	81	B1-U3-G1	7,120	88	B1-U3-G1	6,914	85	B1-U3-G2
TVPR-32-G1-1-x-740	32	1050	4000	110	8,276	76	B2-U3-G2	8,944	82	B2-U3-G2	8,685	79	B2-U3-G2
TVPR-48-G1-5-x-740	48	530	4000	82	7,149	88	B1-U3-G2	7,727	95	B1-U3-G2	7,502	92	B1-U3-G2
TVPR-48-G1-7-x-740	48	700	4000	106	8,974	85	B2-U3-G2	9,699	92	B2-U3-G2	9,418	89	B2-U3-G2

Actual performance may vary due to installation variables including optics, mounting/ceiling height, dirt depreciation, light loss factor, etc.; highly recommended to confirm performance with a layout - contact Applications at outdoorlighting.applications@philips.com. Consult DLC QPL to confirm your specific fixture selection is DLC approved.

Note: Some data may be scaled based on tests of similar but not identical luminaires.

Specifications

Housing

Roof and Cage: Two Style options

C: Curved Roof and **S:** Square Roof. Tool-less latch made of stainless steel allows for quick access inside of the hinged roof to locate the driver, surge protector and optional FAWs (field adjustable wattage solution). Roof and Cage made of 360 low-copper die-cast. aluminum alloy. Decorative Cupola on top of roof covers the 7 pin NEMA socket.

Panels: Two panel options made of U.V. Stabilized Acrylic.

C: Visual Comfort panels help to eliminate glare and pixelization and give a soft glow at night

R: Vertical Ribbed panels, for a clear look during the day and performance at night

All panels have tool-less removal for ease of cleaning or replacement. (exception for arm mount)

Fitter: Two fitter options. **L:** Large Utility Fitter with tool-less door to access the terminal block and wiring. Available in 3" or 4"

Or **S:** Small Fitter. Small fitter available in 2" 3/8, 3" or 4". Large 4" fitter uses a secondary adaptor to achieve 4" opening.

Light Engine

Composed of 4 main components: **LED Module / Optical System / Heat Sink / Driver.**

Electrical components are RoHS compliant, IP66 sealed light engine LEDs tested by ISO 17025-2005 accredited lab in accordance with IESNA LM-80 guidelines, extrapolations in accordance with IESNA TM-21. Metal core board ensures greater heat transfer and longer lifespan.

LED Module

Composed of high-performance white LEDs. Color temperature as per ANSI/NEMA bin 2700 Kelvin nominal (2725 ±145K) CRI 80 min, 3000 Kelvin nominal (3045K +/- 175K) or 4000 Kelvin nominal (3985K +/- 275K), CRI 70 Min. 75 Typical. Other CCT/CRI also available, consult factory.

Heat Sink

Made of die cast aluminum optimizing the LEDs efficiency and life. Product does not use any cooling device with moving parts (only passive cooling device). Entire luminaire is rated for operation in ambient temperature of -40°C / -40°F up to +40°C / +104°F.

Optical System

Composed of high performance UV stabilized optical grade polymer refractor lenses to achieve desired distribution optimized to get maximum spacing, target lumens and a superior lighting uniformity. System is rated IP66. Performance shall be tested per LM-63, LM-79 and TM-15 (IESNA) certifying its photometric performance. **Type 2S, 3S, 3W** and **Type 5** Street side indicated. House side shield optional (can be field installed) **2SH:** Type 2 with House Side Shield, **3SH:** Type 3 short with house side shield, **3WH:** Type 3 Wide with House side shield

TVPC/TVPR TownView

Post top and arm mount luminaire

Specifications (continued)

Driver:

Driver comes standard with 0-10V dimming capability. High power factor of 95%. Electronic driver, operating range 50/60 Hz. Auto adjusting universal voltage input from 120 to 277, 347 and 480 VAC rated for both application line to line or line to neutral, Class I, THD of 20% max. Maximum ambient operating temperature from 40°F (4°C) to 130°F (55°C). Certified in compliance to UL1310 cULus requirement (dry and damp location).] The current supplying the LEDs will be reduced by the driver if the driver experiences internal overheating as a protection to the LEDs and the electrical components. Output is protected from short circuits, voltage overload and current overload. Automatic recovery after correction. Standard built in driver surge protection of 2.5kV (min).

Integrated Features

R7*: Tool less rotatable receptacle with 7 pins enabling dimming and additional functionality (to be determined), can be used with a twist lock Interact City node or photoelectric cell or a shorting cap.

SP1: Surge protection device tested in accordance with ANSI/IEEE C62.45 per ANSI/IEEE C62.41.2 Scenario I Category C High Exposure 10kV/10kA waveforms for Line-Ground, Line-Neutral and Neutral-Ground, and in accordance with DOE MSSLC Model Specification for LED Roadway Luminaires Appendix D Electrical Immunity High test level 10kV/10kA.

SP2: Optional 20kV / 10kA surge protection device that provides extra protection beyond the SP1 10kV/10kA level.

NEMA Labels: Installed NEMA label, ANSI C136.15-2015 compliant. Consult factory for other labeling needs.

Please note that these integrated features always come with the luminaire.

* Use of photoelectric cell or shorting cap is required to ensure proper illumination.

Driver and Luminaire Options

Dimming Options:

DA: 4 Hrs 25% reduction

DB: 4 Hrs 50% reduction

DC: 4 Hrs 75% reduction

DD: 6 Hrs 25% reduction

DE: 6 Hrs 50% reduction

DF: 6 Hrs 75% reduction

DG: 8 Hrs 25% reduction

DH: 8 Hrs 50% reduction

DJ: 8 Hrs 75% reduction

DL: Pre-set driver compatible with the DALI control system. Logarithmic standard

AST: Pre-set driver for progressive start-up of the LED module(s) to optimize energy management and enhance visual comfort at start-up.

CLO: Pre-set driver to manage the lumen depreciation by adjusting the power given to the LEDs offering the same lighting intensity during the entire lifespan of the LED module.

OTL: Pre-set driver to signal end of life of the LED module(s) for better fixture management.

FAWS: Field Adjustable Wattage Selector, pre-set to the highest position, can be easily switched in the field to the required position. This reduces total luminaire wattage consumption and reduces the light level – see the FAWS multiplier chart for more details.

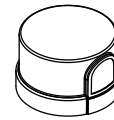
Note: It is not recommended to use FAWS with other dimming or controls; if you do, set the switch to position 10 (maximum output) to enable the other dimming or controls. Switching FAWS to any position other than 10 will disable the other dimming or controls.

DALI: Pre-set driver compatible with DALI control system.

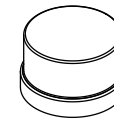
SRD: Sensor Ready Driver including SR communication (used for dimming and other functionalities), 24V auxiliary supply and a logical signal input (LSI) connected to the top NEMA twist lock receptacle.

SRD1: Sensor Ready Driver including SR communication (used for dimming and other functionalities) but with 24V auxiliary supply and a logical signal input (LSI) not connected to the top NEMA twist lock.

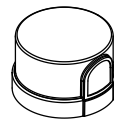
PH8: 7 Pin Tooless rotatable standard - with photocell. Photocell has dimensional limits: 3" dia x 2" tall (for non black finishes only)



PH9: 7 Pin Tooless rotatable standard - with shorting cap



PHX: 7 Pin Tooless rotatable standard - with long life photocell. Photocell has dimensional limits: 3" dia x 2" tall (for non black finishes only)



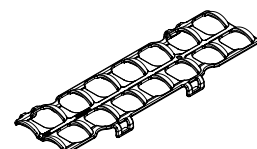
SR: Sensor ready receptacle located on the heat sink between two LED boards. Cannot be combined With 16 or 48 LED's or horizontal lens. Contact factory for use with panel TVP options.



L: Decorative Ladder Rest. Ships in the box. install on site



2H,
3SH,
3WH: House side shield option



TVPC/TVPR TownView

Post top and arm mount luminaire

Specifications (continued)

Luminaire Useful Life

Refer to IES files for energy consumption and delivered lumens for each option. Based on ISTMT in situ thermal testing in accordance with UL1598 and UL8750, System Reliability Tool, Philips Advance data and LED manufacturer LM-80/TM-21 data, expected to reach 100,000 + hours (72W32LED and 108W48LED at 700mA) or 94,500 hours (108W32LED and 160W48LED at 1050mA) with >L70 lumen maintenance @ 25°C. Luminaire Useful Life accounts for LED lumen maintenance AND all of these additional factors including: LED life, driver life, PCB substrate, solder joints, on/off cycles, burning hours and corrosion.

Wiring

18AWG wire, 6" (15mm) minimum extending from luminaire.

Optional Terminal block

Terminal block connector 600V, 85A for use with #14-2 AWG wires from the primary circuit, located inside the housing. Due to the inrush current that occurs with electronic drivers, recommend using a 10Amp time-delay fuse to avoid unwanted fuse blowing (false tripping) that can occur with normal or fast acting fuses. Fuses and holders by others or consult factory

Hardware

All non-ferrous fasteners prevent corrosion and ensure longer life. All seals and sealing devices are made and/or lined with EPDM silicone rubber.

Finish

Color in accordance with the AAMA 2603 standard. Application of polyester powder coat paint (4 mils/100 microns) with ± 1 mils / 24 microns of tolerance. The Thermosetting resins provides a discoloration resistant finish in accordance with the ASTM D2244 standard, as well as luster retention in keeping with the ASTM D523 standard and humidity proof in accordance with the ASTM D2247 standard.

The surface treatment achieves a minimum of 2000 hours for salt spray resistant finish in accordance with testing performed and per ASTM B117 standard.

BKS:	Black Smooth
WHS:	White Smooth
BZS:	Bronze Smooth
GNS:	Green Smooth
BK:	Black Texture
WH:	White Texture
BZ:	Bronze Texture
GN:	Green Texture

LED products manufacturing standard

The electronic components sensitive to electrostatic discharge (ESD) such as light emitting diodes (LEDs) are assembled in compliance with IEC61340-5-1 and ANSI/ESD S20.20 standards to eliminate ESD events that could decrease the useful life of the product.

Vibration Resistance

S2, S3, S4 Fitter and A Arm Mount Meets the ANSI C136.31, American National Standard for Roadway Luminaire Vibration specifications for Bridge/overpass applications (Tested for 3G over 100,000 cycles).

Certifications and Compliance

cETL listed to Canadian safety standards for wet locations. Manufactured to ISO 9001:2008 Standards. UL8750 and UL1598 compliant. ETL listed to U.S. safety standards for wet locations. cETL listed to Canadian safety standards for wet locations. LM80 & LM79 tested. Listed on the DesignLights™ Consortium (DLC) Qualified Products List (QPL). ANSI C136 standards: .2, .3, .10, .14, .15, .22, .25, .31, .37, .41.

Service Tag

Each individual luminaire is uniquely identifiable, thanks to the Service tag application. With a simple scan of a QR code, placed on the inside of the mast door, you gain instant access to the luminaire configuration, making installation and maintenance operations faster and easier, no matter what stage of the luminaire's lifetime. Just download the APP and register your product right away.

For more details visit: philips.com/servicetag

Limited Warranty

5 year standard warranty. Options available for extended warranties – contact factory. See signify.com/warranties for details and restrictions.

Brackets and Poles

Visit the website for pole and post top bracket options.

