

4"  
Straight Flat  
Fluted  
w/3" tenon

Project: \_\_\_\_\_  
 Location: \_\_\_\_\_  
 Cat.No: \_\_\_\_\_  
 Type: \_\_\_\_\_  
 Lamps: \_\_\_\_\_ Qty: \_\_\_\_\_  
 Notes: \_\_\_\_\_

## Order guide

example: P9300 10 A T D

Product Code	Pole Height	Finish	Outlet Location	Outlet Options
<b>P9300</b>				
P9300	10' 12' 14' 16'	A Black B White G Verde H Bronze J Green	T 12" Down from Top - Aligned with House Side	D Standard Duplex G GFI Duplex

Note: Wall thickness is 0.125 aluminum. EPA values based on destructive break testing. For AASHTO ratings, contact factory.

## Pole Data

Pole Model	Pole Shape	Pole Type	Shaft Dimension	Pole Fluted	Anchor Base Shape	Bolt Circle	Base Dim (in)	Hand Hole Dim (in)
P9300	Round	Straight	4	Fluted	round	7	9 x 0	2 x 4

Pole Family	Catalog Number	Nominal Height (ft)	Tenon Section (in)	Wall Thickness (in)	EPA Rating 80 MPH (sq. ft)	EPA Rating 100 MPH (sq. ft)	Anchor Bolts (in)
P9300	P9300-10	10	3	0.188 - 0.313	16.65	10.15	3/4-19 bs
P9300	P9300-12	12	3	0.188 - 0.313	13.59	8.08	3/4-19 bs
P9300	P9300-14	14	3	0.188 - 0.313	8.97	5.16	3/4-19 bs
P9300	P9300-16	16	3	0.188 - 0.313	7.38	4.03	3/4-19 bs

EPA values based on destructive break testing. For AASHTO ratings, contact factory.

## Specifications

### HOUSING:

356-T6 Sand Cast Aluminum. 6005-T5 extruded aluminum. Anchor rods are hot dipped galvanized steel. Tenon is 356 HM sand cast aluminum.

### FINISH:

A durable polyurethane enamel finish is applied after assemblies are shot blasted to create a surface profile which allows for the highest level of paint adhesion. Laboratory tested for superior weatherability and fade resistance in accordance with ASTM B-117-64 and ANSI/ASTM G53-77 specifications. For larger projects where a custom color is required, contact the factory for more information.

### WARRANTY:

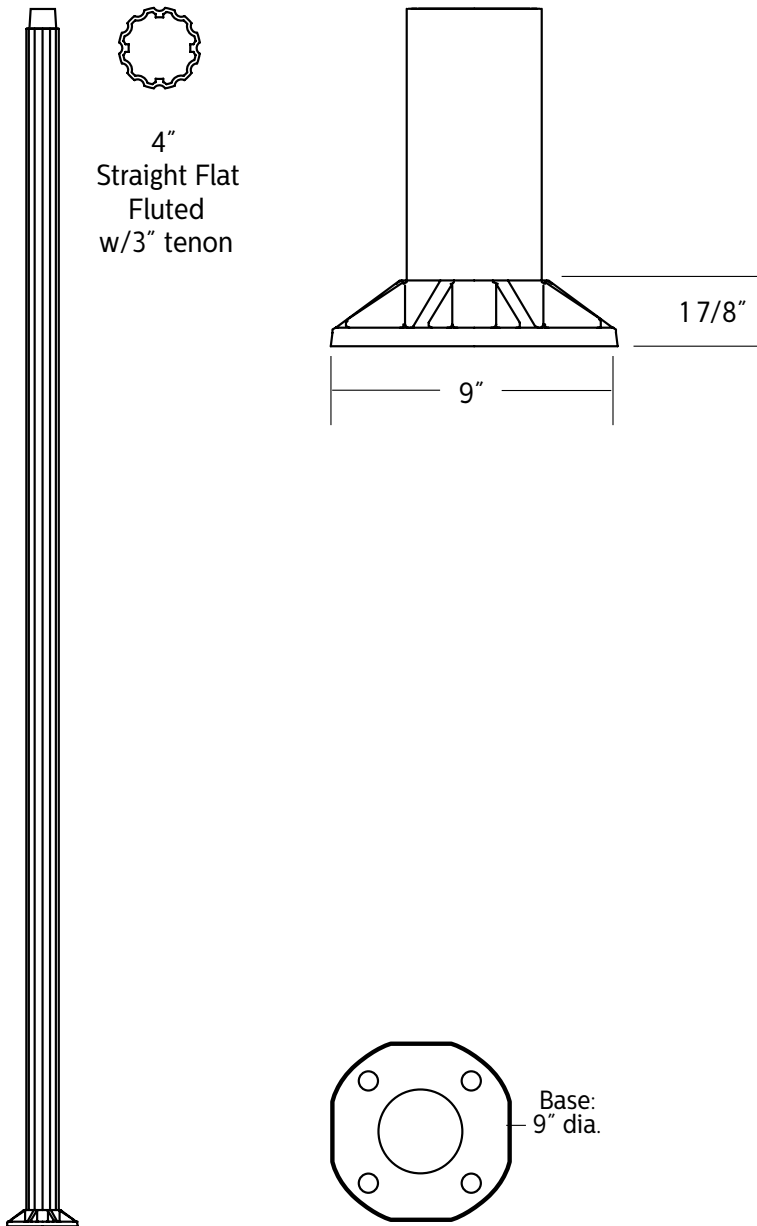
Please visit [www.signify.com/warranties](http://www.signify.com/warranties) for more details on structural and finish warranty.

### OUTLET:

Standard Duplex Outlet has universal metal weatherproof cover. Weatherproof while in use. Heavy-duty all-metal construction. Lockable security cover. Meets NEC 406.9 (B). Weather resistant. GFI Duplex Outlet has dual-function indicator light, universal metal weatherproof cover. Weatherproof while in use. Heavy-duty all-metal construction. Lockable security cover. Meets NEC 406.9 (B). Weather resistan

# P9300 Poles and Brackets

## Straight Round Fluted



The information presented in this document is not intended as any commercial offer and does not form part of any quotation or contract.

