

5"
Straight Flat
Fluted w/3"
tenon

Project: _____
 Location: _____
 Cat.No: _____
 Type: _____
 Lamps: _____ Qty: _____
 Notes: _____

Order guide

example: P3165 12 A T D

Product Code	Pole Height	Finish	Outlet Location	Outlet Options
P3165				
P3165	12' 14' 16' 18'	A Black B White G Verde H Bronze J Green	T 12" Down from Top - Aligned with House Side B 4" Up from Top of Base - Aligned with House Side	D Standard Duplex G GFI Duplex

EPA values based on destructive break testing. For AASHTO ratings, contact factory.

Pole Data

Pole Model	Pole Shape	Pole Type	Shaft Dimension	Pole Fluted	Anchor Base Shape	Bolt Circle	Base Dim (in)	Hand Hole Dim (in)
P3165	Round	Straight	5	Fluted	round	8 to 13	17 x 29	4 x 7.5

Pole Family	Catalog Number	Nominal Height (ft)	Tenon Section (in)	Wall Thickness (in)	EPA Rating 80 MPH (sq. ft)	EPA Rating 100 MPH (sq. ft)	Anchor Bolts (in)
P3165	P3165-12	12	3	0.188	36.78	22.32	3/4-19 bs
P3165	P3165-14	14	3	0.188	25.32	15.24	3/4-19 bs
P3165	P3165-16	16	3	0.188	21.51	12.59	3/4-19 bs
P3165	P3165-18	18	3	0.188	18.99	10.98	3/4-19 bs

Specifications

HOUSING:

356 HM high-strength, low-copper, proprietary cast aluminum alloy. 6005-T5 extruded aluminum. Tenon is 356 HM sand cast aluminum. Anchor rods are hot dipped galvanized steel.

FINISH:

A durable polyurethane enamel finish is applied after assemblies are shot blasted to create a surface profile which allows for the highest level of paint adhesion. Laboratory tested for superior weatherability and fade resistance in accordance with ASTM B-117-64 and ANSI/ASTM G53-77 specifications. For larger projects where a custom color is required, contact the factory for more information.

WARRANTY:

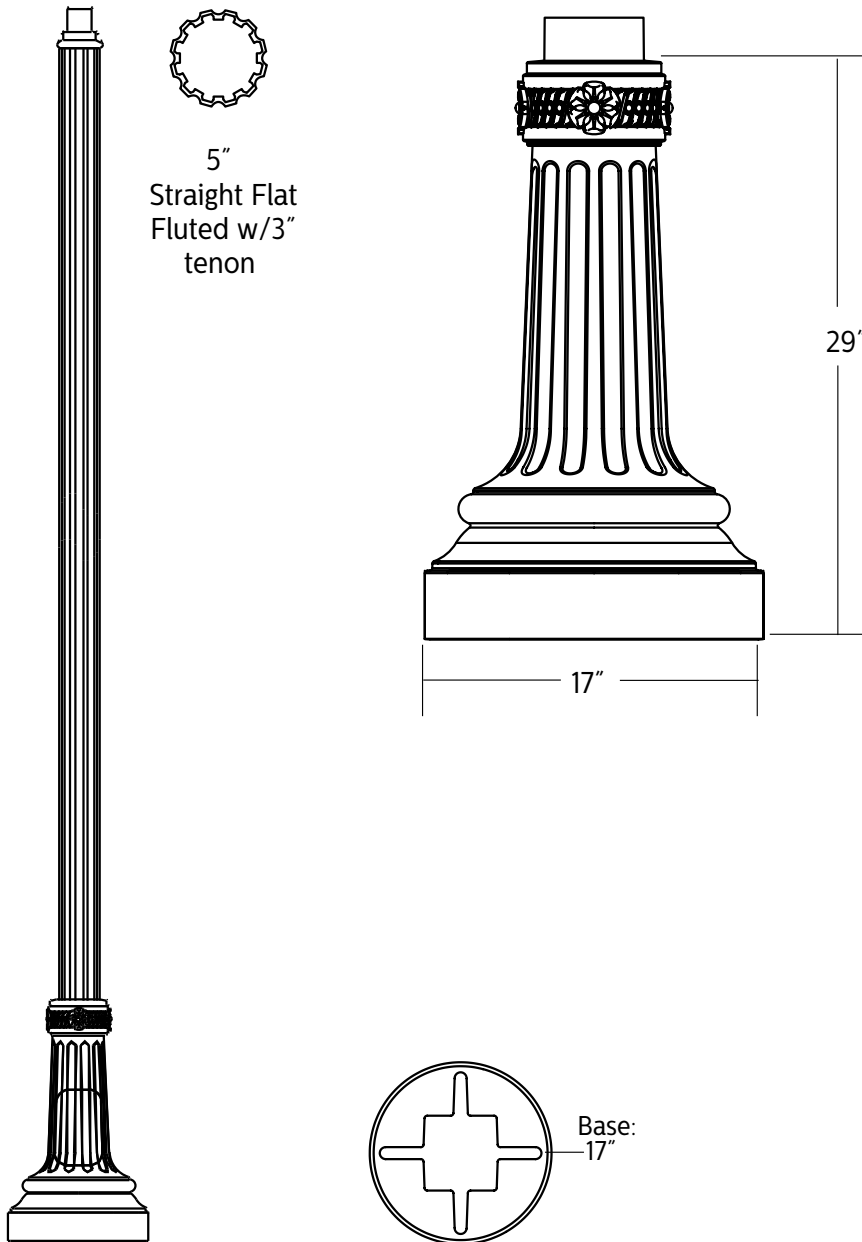
Please visit www.signify.com/warranties for more details on structural and finish warranty.

OUTLET:

Standard Duplex Outlet has universal metal weatherproof cover. Weatherproof while in use. Heavy-duty all-metal construction. Lockable security cover. Meets NEC 406.9 (B). Weather resistant. GFI Duplex Outlet has dual-function indicator light, universal metal weatherproof cover. Weatherproof while in use. Heavy-duty all-metal construction. Lockable security cover. Meets NEC 406.9 (B). Weather resistant.

P3165 Poles and Brackets

Straight Round Fluted



The information presented in this document is not intended as any commercial offer and does not form part of any quotation or contract.



© 2019 Signify Holding. All rights reserved. This document contains information relating to the product portfolio of Signify which information may be subject to change. No representation or warranty as to the accuracy or completeness of the information included herein is given and any liability for any action in reliance thereon is disclaimed. All trademarks are owned by Signify Holding or their respective owners.

Signify North America Corporation
200 Franklin Square Drive,
Somerset, NJ 08873
Telephone 855-486-2216

Signify Canada Ltd.
281 Hillmount Road,
Markham, ON, Canada L6C 2S3
Telephone 800-668-9008