



Gardco PureForm LED area medium P26 features a sleek, low profile design and optimal performance. PureForm area medium is designed to achieve maximum pole spacing, with lumen output up to 28,900 lumens. Multiple distribution and shielding options are available to achieve maximum control. A full range of control options provides additional energy savings.

Project: _____
 Location: _____
 Cat.No: _____
 Type: _____
 Lumens: _____ Qty: _____
 Notes: _____

Ordering guide

example: P26-64L-800-NW-G2-AR-3-120-HIS-MGY

Prefix	Number of LEDs	Drive Current	LED Color - Generation	Mounting	Distribution	Voltage				
P26										
P26 PureForm area medium, 26"	48L 48 LEDs (3 modules)	400	400mA	WW-G2 Warm White 3000K, 70CRI Generation 2	AR Arm Mount (standard) ² The following mounting kits must be ordered separately (See accessories) SF Slip Fitter Mount ³ (fits to 2 ³ / ₈ " O.D. tenon) WS Wall mount with surface conduit rear entry permitted RAM Retrofit arm mount kit ²	Type 2 2 Type 2 2-90 Rotated at 90° 2-270 Rotated at 270°	Type 5 5 Type 5 5W Type 5W	120 120V 208 208V 240 240V 277 277V 347 347V 480 480V UNV 120-277V (50/60Hz) HVV 347-480V (50/60Hz)		
		500	500mA							
		600	600mA							
	64L 64 LEDs (4 modules)	700	700mA	NW-G2 Neutral White 4000K, 70CRI Generation 2		Type 3 3 Type 3 3-90 Rotated at 90° 3-270 Rotated at 270°	AFR Auto Front Row AFR-90 Auto Front Row, rotated at 90° AFR-270 Auto Front Row, rotated at 270°			
		600	600mA	CW-G2 Cool White 5000K, 70CRI Generation 2						
		700	700mA	WY-G2 Warm Yellow 2700K, 80 CRI Generation 2 ¹						
	80L 80 LEDs (5 modules)	800	800mA	BW-G2 Balanced White 3500K 80CRI Generation 2 ¹		Type 4 4 Type 4 4-90 Rotated at 90° 4-270 Rotated at 270°	BLC Back Light Control BLC-90 Back Light Control rotated at 90° BLC-270 Back Light Control rotated at 270°			
		700	700mA	AM-G2 Direct Amber (590nm) Generation 2 ^{1,14}						
		900	900mA							
	Options									
	Dimming controls		Motion sensing lens			Photo-sensing	Electrical		Luminaire	Finish
	DD 0-10V External dimming (by others) ⁴	IMRI3 Integral with #3 lens ¹⁵	PCB Photocontrol Button ^{7,8}	Fusing		Square Pole Adapter included as standard TB Terminal Block ¹¹ RPA Round Pole Adapter (fits to 3"- 3.9" O.D. pole) ¹² HIS Internal Housing Side Shield ¹³	Textured BK Black WH White BZ Bronze DGY Dark Gray MGY Medium Gray Customer specified RAL Specify optional color or RAL (ex: RAL7024) Custom color (Must supply color chip for required factory quote) CC			
DCC Dual Circuit Control ^{4,5,6}	IMRI7 Integral with #7 lens ¹⁵	TLRD5 Twist Lock Receptacle 5 Pin ⁹	F1 Single (120, 277, 347VAC) ⁸							
FAWS Field Adjustable Wattage Selector ^{4,5}		TLRD7 Twist Lock Receptacle 7 Pin ⁹	F2 Double (208, 240, 480VAC) ⁸							
LLC Integral wireless module ^{4,6,7,17}		TLRPC Twist Lock Receptacle w/Photocell ^{8,10}	F3 Canadian Double Pull (208, 240, 480VAC) ^{8,12}							
BL Bi-level functionality ^{4,17}			Pole Mount Fusing							
DynaDimmer: Automatic Profile Dimming			FP1 Single (120, 277, 347VAC) ⁸							
CS50 Security 50% Dimming, 7 hours ^{4,7}			FP2 Double (208, 240, 480VAC) ⁸							
CM50 Median 50% Dimming, 8 hours ^{4,7}			FP3 Canadian Double Pull (208, 240, 480VAC) ⁸							
CS30 Security 30% Dimming, 7 hours ^{4,7}			Surge Protection (10kA standard)							
CM30 Median 30% Dimming, 8 hours ^{4,7}			SP2 Increased 20kA							

- Extended lead times apply. Contact factory for details.
- Mounts to a 4-5" round pole with adapter included for square poles.
- Limited to a maximum of 45 degrees aiming above horizontal.
- Not available with other dimming control options.
- Not available with motion sensor.
- Not available with photocontrol.
- Not available in 347 or 480V.
- Must specify input voltage.
- Dimming will not be connected to NEMA receptacle if ordering with other control options.
- Not available in 480V. Order photocell separately with TLRD5/7.
- Not available with DCC.
- Not available with SF and WS. RPAs provided with black finish standard.
- HIS not available with Type 5, 5W, and BLC optics.
- Limited to max. 600mA configurations.
- Not available with DD, DCC, and FAWS dimming control options.
- Not available with DD, DCC, FAWS and LLC dimming control options.
- Must specify a motion sensor lens.



P26 PureForm LED medium

Area light

PureForm P26² Accessories (ordered separately, field installed)

Shielding Accessories	Mounting Accessories
House Side shield	
Standard optic orientation:	
HIS-48-H ¹	Internal House Side Shield for 48 LEDs (3 modules)
HIS-64-H ¹	Internal House Side Shield for 64 LEDs (4 modules)
HIS-80-H ¹	Internal House Side Shield for 80 LEDs (5 modules)
Optic at 90 or 270 orientation:	
HIS-48-V ¹	Internal House Side Shield for 48 LEDs (3 modules)
HIS-64-V ¹	Internal House Side Shield for 64 LEDs (4 modules)
HIS-80-V ¹	Internal House Side Shield for 80 LEDs (5 modules)
PureForm PTF2 (pole top fitter fits 2 3/8-2 1/2" OD x 4" depth tenon)	
PTF2-P26/34-1-90-(F)	1 luminaire at 90°
PTF2-P26/34-2-90-(F)	2 luminaires at 90°
PTF2-P26/34-2-180-(F)	2 luminaires at 180°
PTF2-P26/34-3-90-(F)	3 luminaires at 90°
PTF2-P26/34-4-90-(F)	4 luminaires at 90°
PTF2-P26/34-3-120-(F)	3 luminaires at 120°
PureForm PTF3 (pole top fitter fits 3-3 1/2" OD x 6" depth tenon)	
PTF3-P26/34-1-90-(F)	1 luminaire at 90°
PTF3-P26/34-2-90-(F)	2 luminaires at 90°
PTF3-P26/34-2-180-(F)	2 luminaires at 180°
PTF3-P26/34-3-90-(F)	3 luminaires at 90°
PTF3-P26/34-4-90-(F)	4 luminaires at 90°
PTF3-P26/34-3-120-(F)	3 luminaires at 120°
PureForm PTF4 (pole top fitter fits 3 1/2-4" OD x 6" depth tenon)	
PTF4-P26/34-1-90-(F)	1 luminaire at 90°
PTF4-P26/34-2-90-(F)	2 luminaires at 90°
PTF4-P26/34-2-180-(F)	2 luminaires at 180°
PTF4-P26/34-3-90-(F)	3 luminaires at 90°
PTF4-P26/34-4-90-(F)	4 luminaires at 90°
PTF4-P26/34-3-120-(F)	3 luminaires at 120°
P26-SF-G2-(F)	Slip Fitter Mount (fits to 2 3/8" O.D. tenon)
P26-RAM-G2-(F)	Retrofit Arm mount kit
P26-WS-G2-(F)	Wall mount with surface conduit rear entry permitted
P26-BD-G2	Bird deterrent
(F) = Specify finish	

- HIS not available with Type 5, 5W, and BLC optics.
- Consult Signify to confirm whether specific accessories are BAA-compliant.

P26 PureForm LED medium

Area light

LED Wattage and Lumen Values - 3000K

Ordering Code	Total LEDs	LED Current (mA)	Color Temp.	Average System Watts	Type 2			Type 3			Type 4		
					Lumen Output	BUG Rating	Efficacy (LPW)	Lumen Output	BUG Rating	Efficacy (LPW)	Lumen Output	BUG Rating	Efficacy (LPW)
P26-48L-400-WW-G2-x	48	400	3000	60	7,673	B2-U0-G2	128	7,420	B1-U0-G2	124	7,698	B1-U0-G2	128
P26-48L-500-WW-G2-x	48	500	3000	74	9,380	B2-U0-G2	126	9,070	B2-U0-G2	122	9,409	B2-U0-G2	127
P26-48L-600-WW-G2-x	48	600	3000	89	10,967	B3-U0-G2	123	10,604	B2-U0-G2	119	10,999	B2-U0-G2	124
P26-48L-700-WW-G2-x	48	700	3000	101	12,477	B3-U0-G2	123	12,064	B2-U0-G2	119	12,514	B2-U0-G2	124
P26-64L-600-WW-G2-x	64	600	3000	114	14,493	B3-U0-G3	127	14,013	B2-U0-G3	123	14,536	B2-U0-G3	127
P26-64L-700-WW-G2-x	64	700	3000	133	16,402	B3-U0-G3	124	15,859	B2-U0-G3	119	16,451	B3-U0-G3	124
P26-64L-800-WW-G2-x	64	800	3000	153	18,384	B3-U0-G3	121	17,775	B3-U0-G3	117	18,438	B3-U0-G3	121
P26-80L-700-WW-G2-x	80	700	3000	169	20,727	B3-U0-G3	123	20,041	B3-U0-G4	119	20,788	B3-U0-G4	123
P26-80L-800-WW-G2-x	80	800	3000	192	22,735	B3-U0-G3	119	21,983	B3-U0-G4	115	22,803	B3-U0-G4	119
P26-80L-900-WW-G2-x	80	900	3000	219	24,409	B3-U0-G3	111	23,602	B3-U0-G4	108	24,482	B3-U0-G4	112

Ordering Code	Total LEDs	LED Current (mA)	Color Temp.	Average System Watts	Type 5			Type 5W			Type AFR			Type BLC		
					Lumen Output	BUG Rating	Efficacy (LPW)	Lumen Output	BUG Rating	Efficacy (LPW)	Lumen Output	BUG Rating	Efficacy (LPW)	Lumen Output	BUG Rating	Efficacy (LPW)
P26-48L-400-WW-G2-x	48	400	3000	60	7,916	B3-U0-G2	132	7,948	B3-U0-G2	132	7,854	B2-U0-G1	131	5,872	B0-U0-G2	98
P26-48L-500-WW-G2-x	48	500	3000	74	9,674	B3-U0-G2	130	9,716	B4-U0-G2	131	9,599	B2-U0-G2	129	7,178	B0-U0-G2	97
P26-48L-600-WW-G2-x	48	600	3000	89	11,308	B4-U0-G2	127	11,359	B4-U0-G2	128	11,223	B3-U0-G2	126	8,392	B1-U0-G2	94
P26-48L-700-WW-G2-x	48	700	3000	101	12,863	B4-U0-G2	127	12,923	B4-U0-G2	128	12,769	B3-U0-G2	126	9,548	B1-U0-G2	94
P26-64L-600-WW-G2-x	64	600	3000	114	14,940	B4-U0-G2	131	15,011	B4-U0-G2	131	14,832	B3-U0-G2	130	11,091	B1-U0-G2	97
P26-64L-700-WW-G2-x	64	700	3000	133	16,907	B4-U0-G2	127	16,988	B5-U0-G3	128	16,786	B3-U0-G2	126	12,552	B1-U0-G2	95
P26-64L-800-WW-G2-x	64	800	3000	153	18,949	B4-U0-G2	124	19,041	B5-U0-G3	125	18,814	B3-U0-G2	123	14,068	B1-U0-G3	92
P26-80L-700-WW-G2-x	80	700	3000	169	21,363	B5-U0-G3	127	21,468	B5-U0-G3	127	21,212	B3-U0-G2	126	15,861	B1-U0-G3	94
P26-80L-800-WW-G2-x	80	800	3000	192	23,463	B5-U0-G3	122	23,548	B5-U0-G3	123	23,267	B3-U0-G2	121	17,398	B1-U0-G3	91
P26-80L-900-WW-G2-x	80	900	3000	219	25,202	B5-U0-G3	115	25,282	B5-U0-G4	115	24,981	B3-U0-G2	114	18,679	B1-U0-G3	85

LED Wattage and Lumen Values - 4000K

Ordering Code	Total LEDs	LED Current (mA)	Color Temp.	Average System Watts	Type 2			Type 3			Type 4		
					Lumen Output	BUG Rating	Efficacy (LPW)	Lumen Output	BUG Rating	Efficacy (LPW)	Lumen Output	BUG Rating	Efficacy (LPW)
P26-48L-400-NW-G2-x	48	400	4000	60	8798	B2-U0-G2	146	8509	B2-U0-G2	142	8827	B2-U0-G2	147
P26-48L-500-NW-G2-x	48	500	4000	74	10755	B2-U0-G2	145	10401	B2-U0-G2	140	10789	B2-U0-G2	145
P26-48L-600-NW-G2-x	48	600	4000	89	12574	B3-U0-G2	141	12160	B2-U0-G2	137	12614	B2-U0-G3	142
P26-48L-700-NW-G2-x	48	700	4000	101	14305	B3-U0-G3	142	13834	B2-U0-G3	137	14351	B2-U0-G3	142
P26-64L-600-NW-G2-x	64	600	4000	114	16617	B3-U0-G3	145	16069	B2-U0-G3	141	16670	B3-U0-G3	146
P26-64L-700-NW-G2-x	64	700	4000	133	18806	B3-U0-G3	142	18186	B3-U0-G3	137	18866	B3-U0-G4	142
P26-64L-800-NW-G2-x	64	800	4000	153	21078	B3-U0-G3	138	20383	B3-U0-G4	134	21145	B3-U0-G4	139
P26-80L-700-NW-G2-x	80	700	4000	169	23764	B3-U0-G3	141	22981	B3-U0-G4	136	23840	B3-U0-G4	141
P26-80L-800-NW-G2-x	80	800	4000	192	26067	B3-U0-G3	136	25208	B3-U0-G4	132	26150	B3-U0-G4	137
P26-80L-900-NW-G2-x	80	900	4000	219	27986	B3-U0-G3	128	27064	B3-U0-G4	123	28076	B3-U0-G4	128

Values from photometric tests performed in accordance with IESNA LM-79 and are representative of the configurations shown. Actual performance may vary due to installation and environmental variables, LED and driver tolerances, and field measurement considerations. It is highly recommended to confirm performance with a photometric layout.

NOTE: Some data may be scaled based on tests of similar (but not identical) luminaires. Contact factory for configurations not shown.

P26 PureForm LED medium

Area light

LED Wattage and Lumen Values - 4000K (continued)

Ordering Code	Total LEDs	LED Current (mA)	Color Temp.	Average System Watts	Type 5			Type 5W			Type AFR			Type BLC		
					Lumen Output	BUG Rating	Efficacy (LPW)	Lumen Output	BUG Rating	Efficacy (LPW)	Lumen Output	BUG Rating	Efficacy (LPW)	Lumen Output	BUG Rating	Efficacy (LPW)
P26-48L-400-NW-G2-x	48	400	4000	60	9068	B3-U0-G2	151	9114	B4-U0-G2	152	9006	B2-U0-G1	150	6735	B0-U0-G2	112
P26-48L-500-NW-G2-x	48	500	4000	74	11083	B4-U0-G2	149	11141	B4-U0-G2	150	11009	B3-U0-G2	148	8233	B1-U0-G2	111
P26-48L-600-NW-G2-x	48	600	4000	89	12954	B4-U0-G2	146	13025	B4-U0-G2	146	12871	B3-U0-G2	145	9626	B1-U0-G2	108
P26-48L-700-NW-G2-x	48	700	4000	101	14736	B4-U0-G2	146	14819	B4-U0-G2	147	14643	B3-U0-G2	145	10951	B1-U0-G2	108
P26-64L-600-NW-G2-x	64	600	4000	114	17116	B4-U0-G2	150	17214	B5-U0-G3	151	17009	B3-U0-G2	149	12721	B1-U0-G2	111
P26-64L-700-NW-G2-x	64	700	4000	133	19369	B5-U0-G3	146	19481	B5-U0-G3	147	19249	B3-U0-G2	145	14396	B1-U0-G3	108
P26-64L-800-NW-G2-x	64	800	4000	153	21708	B5-U0-G3	142	21834	B5-U0-G3	143	21575	B3-U0-G2	141	16136	B1-U0-G3	106
P26-80L-700-NW-G2-x	80	700	4000	169	24474	B5-U0-G3	145	24617	B5-U0-G4	146	24325	B3-U0-G2	144	18192	B1-U0-G3	108
P26-80L-800-NW-G2-x	80	800	4000	192	26880	B5-U0-G3	140	27003	B5-U0-G4	141	26682	B3-U0-G3	139	19955	B1-U0-G3	104
P26-80L-900-NW-G2-x	80	900	4000	219	28872	B5-U0-G3	132	28991	B5-U0-G4	132	28647	B4-U0-G3	131	21425	B1-U0-G4	98

LED Wattage and Lumen Values - 5000K

Ordering Code	Total LEDs	LED Current (mA)	Color Temp.	Average System Watts	Type 2			Type 3			Type 4		
					Lumen Output	BUG Rating	Efficacy (LPW)	Lumen Output	BUG Rating	Efficacy (LPW)	Lumen Output	BUG Rating	Efficacy (LPW)
P26-48L-400-CW-G2-x	48	400	5000	60	8,237	B2-U0-G2	137	7,965	B1-U0-G2	133	8,262	B2-U0-G2	138
P26-48L-500-CW-G2-x	48	500	5000	74	10,069	B2-U0-G2	135	9,736	B2-U0-G2	131	10,100	B2-U0-G2	136
P26-48L-600-CW-G2-x	48	600	5000	89	11,772	B3-U0-G2	132	11,383	B2-U0-G2	128	11,807	B2-U0-G2	133
P26-48L-700-CW-G2-x	48	700	5000	101	13,393	B3-U0-G2	133	12,950	B2-U0-G2	128	13,433	B2-U0-G3	133
P26-64L-600-CW-G2-x	64	600	5000	114	15,557	B3-U0-G3	136	15,042	B2-U0-G3	132	15,603	B2-U0-G3	137
P26-64L-700-CW-G2-x	64	700	5000	133	17,607	B3-U0-G3	133	17,024	B3-U0-G3	128	17,659	B3-U0-G3	133
P26-64L-800-CW-G2-x	64	800	5000	153	19,734	B3-U0-G3	129	19,080	B3-U0-G3	125	19,792	B3-U0-G4	130
P26-80L-700-CW-G2-x	80	700	5000	169	22,248	B3-U0-G3	132	21,512	B3-U0-G4	128	22,315	B3-U0-G4	132
P26-80L-800-CW-G2-x	80	800	5000	192	24,404	B3-U0-G3	127	23,597	B3-U0-G4	123	24,477	B3-U0-G4	128
P26-80L-900-CW-G2-x	80	900	5000	219	26,201	B3-U0-G3	119	25,335	B3-U0-G4	115	26,280	B3-U0-G4	120

Ordering Code	Total LEDs	LED Current (mA)	Color Temp.	Average System Watts	Type 5			Type 5W			Type AFR			Type BLC		
					Lumen Output	BUG Rating	Efficacy (LPW)	Lumen Output	BUG Rating	Efficacy (LPW)	Lumen Output	BUG Rating	Efficacy (LPW)	Lumen Output	BUG Rating	Efficacy (LPW)
P26-48L-400-CW-G2-x	48	400	5000	60	8,497	B3-U0-G2	141	8,532	B4-U0-G2	142	8,430	B2-U0-G1	140	6,304	B0-U0-G2	105
P26-48L-500-CW-G2-x	48	500	5000	74	10,384	B4-U0-G2	140	10,429	B4-U0-G2	140	10,305	B2-U0-G2	139	7,705	B1-U0-G2	104
P26-48L-600-CW-G2-x	48	600	5000	89	12,138	B4-U0-G2	136	12,193	B4-U0-G2	137	12,047	B3-U0-G2	135	9,008	B1-U0-G2	101
P26-48L-700-CW-G2-x	48	700	5000	101	13,808	B4-U0-G2	137	13,872	B4-U0-G2	137	13,706	B3-U0-G2	136	10,249	B1-U0-G2	101
P26-64L-600-CW-G2-x	64	600	5000	114	16,037	B4-U0-G2	140	16,113	B5-U0-G3	141	15,921	B3-U0-G2	139	11,905	B1-U0-G2	104
P26-64L-700-CW-G2-x	64	700	5000	133	18,149	B4-U0-G2	137	18,236	B5-U0-G3	137	18,018	B3-U0-G2	136	13,473	B1-U0-G3	101
P26-64L-800-CW-G2-x	64	800	5000	153	20,340	B5-U0-G3	133	20,439	B5-U0-G3	134	20,195	B3-U0-G2	132	15,101	B1-U0-G3	99
P26-80L-700-CW-G2-x	80	700	5000	169	22,932	B5-U0-G3	136	23,044	B5-U0-G3	137	22,769	B3-U0-G2	135	17,026	B1-U0-G3	101
P26-80L-800-CW-G2-x	80	800	5000	192	25,186	B5-U0-G3	131	25,277	B5-U0-G4	132	24,975	B3-U0-G2	130	18,675	B1-U0-G3	97
P26-80L-900-CW-G2-x	80	900	5000	219	27,053	B5-U0-G3	123	27,138	B5-U0-G4	124	26,815	B3-U0-G3	122	20,051	B1-U0-G3	91

Values from photometric tests performed in accordance with IESNA LM-79 and are representative of the configurations shown. Actual performance may vary due to installation and environmental variables, LED and driver tolerances, and field measurement considerations. It is highly recommended to confirm performance with a photometric layout.

NOTE: Some data may be scaled based on tests of similar (but not identical) luminaires. Contact factory for configurations not shown.

P26 PureForm LED medium

Area light

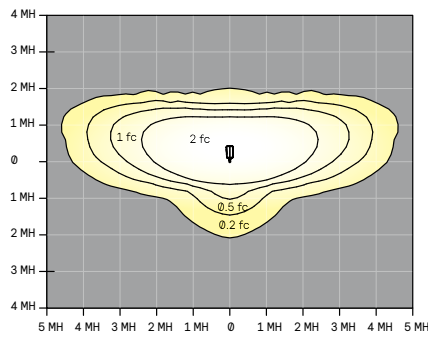
Predicted Lumen Depreciation Data

Predicted performance derived from LED manufacturer's data and engineering design estimates, based on IESNA LM-80 methodology. Actual experience may vary due to field application conditions. L₇₀ is the predicted time when LED performance depreciates to 70% of initial lumen output. Calculated per IESNA TM21-11. Published L₇₀ hours limited to 6 times actual LED test hours

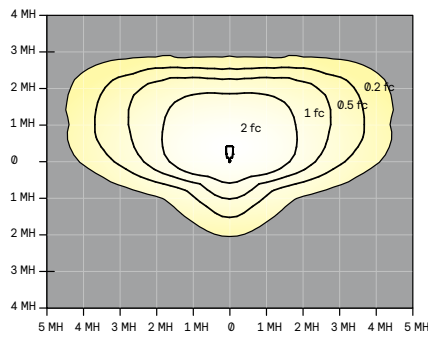
Ambient Temperature °C	Driver mA	Calculated L ₇₀ Hours	L ₇₀ per TM-21	Lumen Maintenance % at 60,000 hrs
25°C	up to 900 mA	>100,000 hours	>60,000 hours	>88%

Optical Distributions

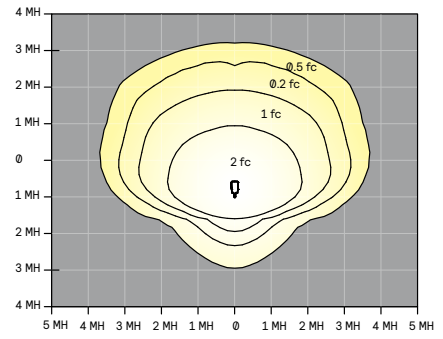
Based on 20' mounting height



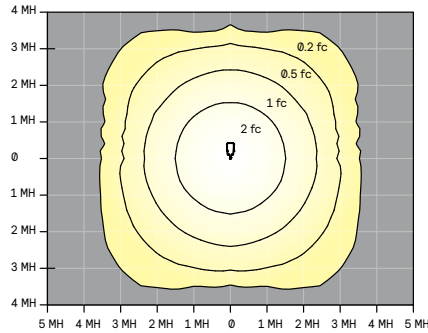
Type 2



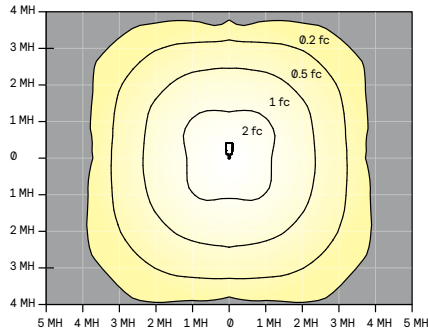
Type 3



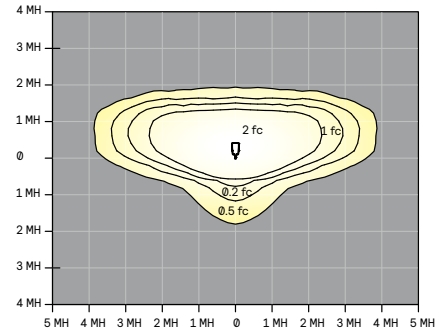
Type 4



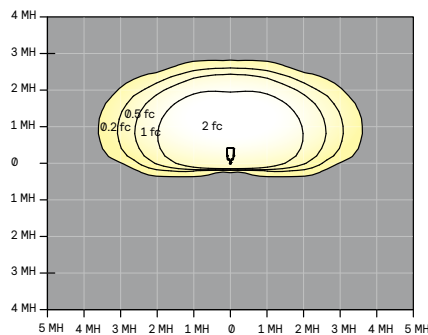
Type 5



Type 5W



AFR



BLC

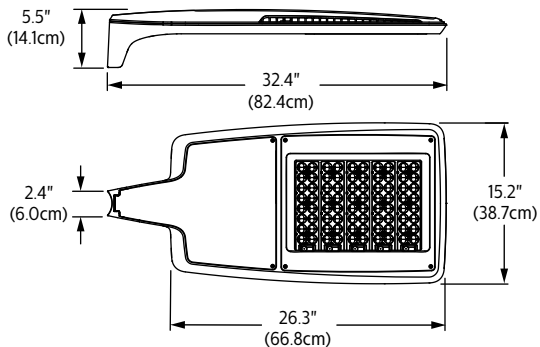
P26 PureForm LED medium

Area light

Dimensions

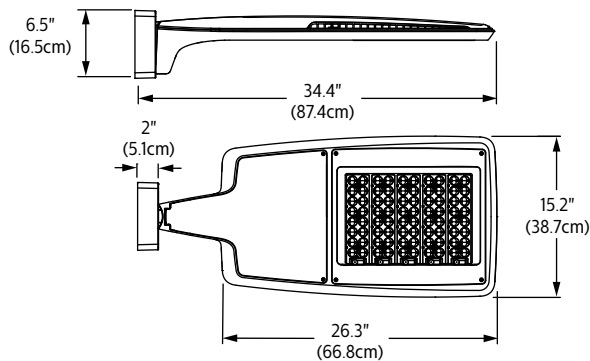
Standard Arm (AR)

Weight: 27 Lbs (12.4 Kg) EPA: 0.26ft² (.024m²)



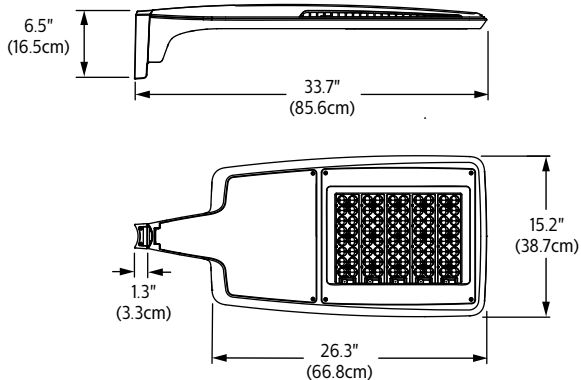
Wall (WS)

Weight: 30 Lbs. (13.7 Kg) EPA: 0.30ft² (.028m²)



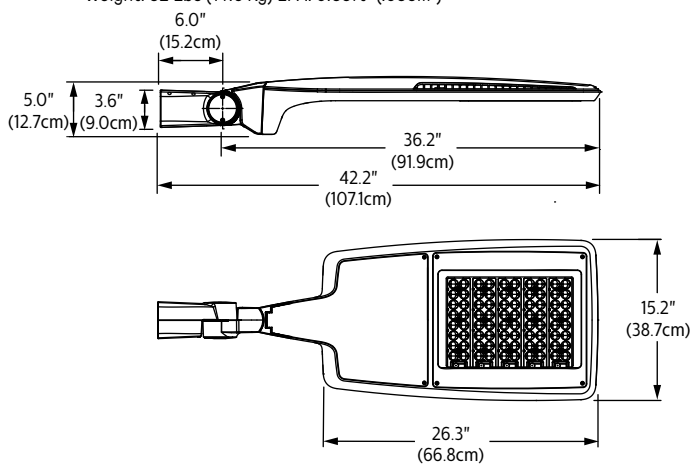
Retrofit Arm (RAM)

Weight: 28 Lbs (12.7 Kg) EPA: 0.28ft² (.026m²)

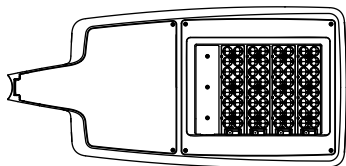


Slip fitter (SF)

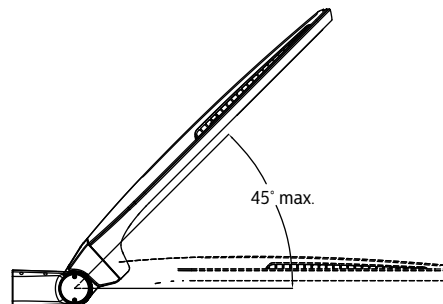
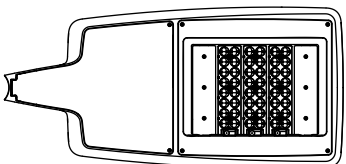
Weight: 32 Lbs (14.6 Kg) EPA: 0.38ft² (.035m²)



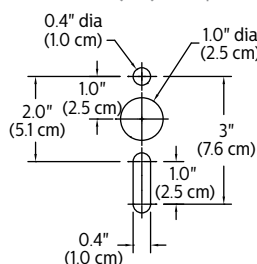
4 module configuration



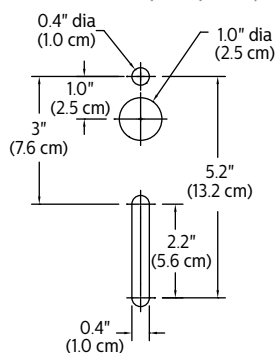
3 module configuration



Standard Arm (AR) drill pattern



Retrofit arm (RAM) drill pattern



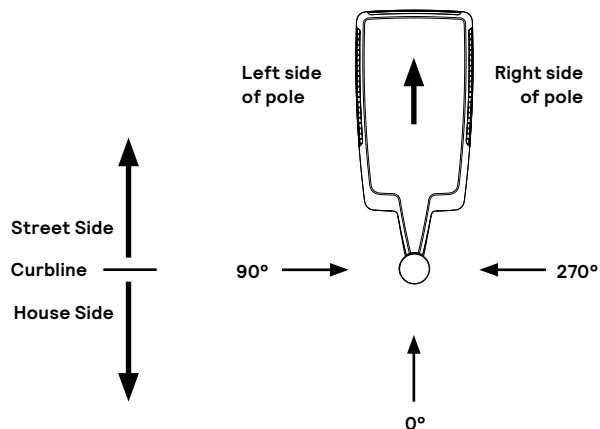
P26 PureForm LED medium

Area light

Optical Orientation Information

Standard Optic Position

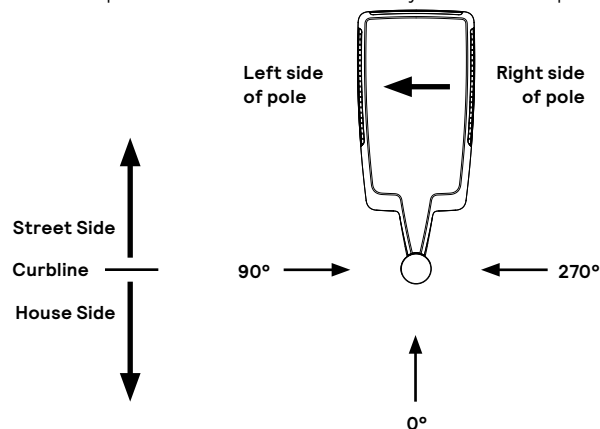
Luminaires ordered with asymmetric optical systems in the standard optic position will have the optical system oriented as shown below:



Note: The hand hole will normally be located on the pole at the 0° point.

Optic Rotated Left (90°) Optic Position

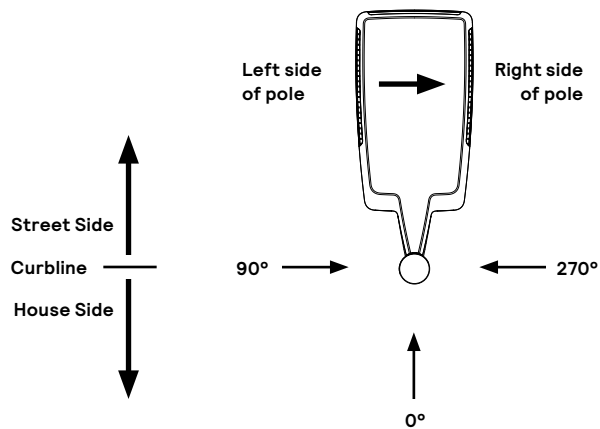
Luminaires ordered with optical systems in the Optic Rotated Left (90°) optic position will have the optical system oriented as shown below (Type 5 and 5W optics are not available with factory set rotatable optics):



Note: The hand hole will normally be located on the pole at the 0° point.

Optic Rotated Right (270°) Optic Position

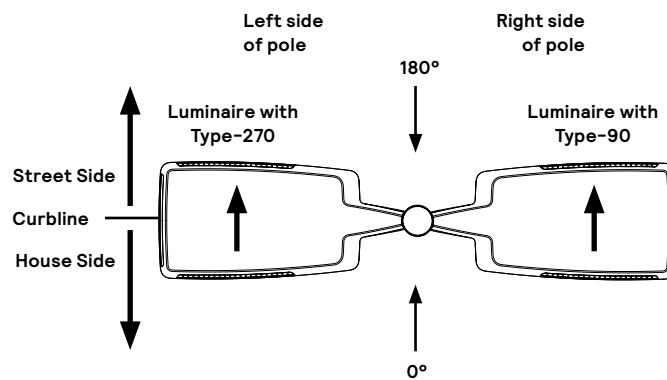
Luminaires ordered with optical systems in the Optic Rotated Right (270°) optic position will have the optical system oriented as shown below (Type 5 and 5W optics are not available with factory set rotatable optics):



Note: The hand hole will normally be located on the pole at the 0° point.

Twin Luminaire Assemblies with Type-90/Type-270 Rotated Optical Systems

Twin luminaire assemblies installed with rotated optical systems are an excellent way to direct light toward the interior of the site (Street Side) without additional equipment. It is important, however, that care be exercised to insure that luminaires are installed in the proper location.



Luminaires with Optic Rotated Right (270°) are installed on the LEFT Side of Pole

Luminaires with Optic Rotated Left (90°) are installed on the RIGHT Side of Pole

Note: The hand hole location will depend on the drilling configuration ordered for the pole.

P26 PureForm LED medium

Area light

Specifications

Housing

Two-piece sealed enclosure with main part of the housing designed as the structural and heat sink frame enclosed by cover to give its unique form. It also includes integral arm and separate, self-retained hinged, one-piece die cast door frame. All die-cast parts made of low copper die cast aluminum alloy for a high resistance to corrosion. The sleek profile with optimized surface area allows housing to provide excellent convection heat transfer with minimum use of heat fins, giving the freedom to have a clean minimalist aesthetic design. Luminaire housing rated to IP66, tested in accordance to Section 9 of IEC 60598-1.

Vibration resistance

Luminaire is tested and rated 3G over 100,000 cycles conforming to standards set forth by ANSI C136.31-2010. Testing includes vibration in three axes, all performed on the same luminaire.

Light engine

Light engine comprises of a module of 16-LED aluminum metal clad board fully sealed with optics offered in multiples of 3, 4 and 5 modules or 48, 64 and 80 LEDs. Module is RoHS compliant. Color temperatures: 3000K +/- 125K, 4000K, 5000K +/- 200K. Minimum CRI of 70. Also available in 2700K, 3500K, and Direct Amber with extended lead times. Direct Amber LED is narrow spectrum with dominant wavelength at 596 nm (peak wavelength at 601 nm). Contact factory for details. LED light engine is rated IP66 in accordance to Section 9 of IEC 60598-1.

Energy saving benefits

System efficacy up to 150 lms/W with significant energy savings over Pulse Start Metal Halide luminaires. Optional control options provide added energy savings during unoccupied periods.

Optical systems

Type 2, 3, 4, 5, 5W, and AFR distributions available. Internal Shield option mounts to LED optics and is available with Type 2, 3, 4, and AFR distributions including a dedicated BLC optic to provide the best backlight control possible for those stringent requirements around property lines. Types 2, 3, 4, AFR, and BLC when specified and used as rotated, are factory set only. Performance tested per LM-79 and TM-15 (IESNA) certifying its photometric performance. Luminaire designed with 0% uplight (UO per IESNA TM-15).

Mounting

Standard luminaire arm mounts to 4" O.D. round poles. Can also be used with 5" O.D. poles. Square pole adapter included with every luminaire. Round Pole Adapter (RPA) required for 3-3.9" poles. PureForm features a retrofit arm kit. When specified with the retrofit arm (RAM) option, PureForm seamlessly simplifies site conversions to LED by eliminating the need for additional pole drilling on most existing poles. RAM will be boxed separately. Also optional are slipfitter and wall mounting accessories. Note that only fixed mounts (AR, RAM, WS) are required to meet IDA compliance. SF mounting will not meet IDA.

Control options

0-10V dimming (DD): Access to 0-10V dimming leads supplied through back of luminaire (for secondary dimming controls by others). Cannot be used with other control options.

Dual Circuit Control (DCC): Luminaire equipped with the ability to have two separate circuits controlling drivers and light engines independently. Permits separate switching of separate modules controlled by use of two sets of leads, one for each circuit. Not recommended to be used with other control options, motion response, or photocells.

Field Adjustable Wattage Selector (FAWS): Luminaire equipped with the ability to manually adjust the wattage in the field to reduce total luminaire lumen output and light levels. Comes pre-set to the highest position at the lumen output selected. Use chart below to estimate reduction in lumen output desired. Cannot be used with other control options or motion response.

FAWS Position	Percent of Typical Lumen Output
1	25%
2	50%
3	55%
4	65%
5	75%
6	80%
7	85%
8	90%
9	95%
10	100%

Note: Typical value accuracy +/- 5%

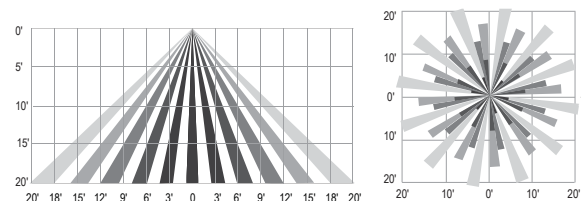
Automatic Profile Dimming (CS/CM/CE/CA): Standard dimming profiles provide flexibility towards energy savings goals while optimizing light levels during specific dark hours. Dimming profiles include two dimming settings including dim to 30% or 50% of the total lumen output. When used in combination with not programmed motion response it overrides the controller's schedule when motion is detected. After 5 minutes with no motion, it will return to the automatic dimming profile schedule. Automatic dimming profile scheduled with the following settings:

- **CS50/CS30:** Security for 7 hours night duration (Ex., 11 PM - 6 AM)
- **CM50/CM30:** Median for 8 hours night duration (Ex., 10 PM - 6 AM)

All above profiles are calculated from mid point of the night. Dimming is set for 6 hours after the mid point and 1 or 2 hours before depending of the duration of dimming. Cannot be used with other dimming control options.

Wireless system (LLC): Optional wireless controller integral to luminaire ready to be connected to a Limelight system (sold by others). The system allows you to wirelessly manage the entire site, independent lighting groups or individual luminaires while on-site or remotely. Based on a high-density mesh network with an easy to use web-based portal, you can conveniently access, monitor and manage your lighting network remotely. Wireless controls can be combined with site and area, pedestrian, and parking garage luminaires as well, for a completely connected outdoor solution. Equipped with motion response with #3 lens for 8-25' mounting heights.

LLC-IMRI3 Luminaire with #3 lens



Motion response options

Bi-Level Infrared Motion Response (BL-IMRI): Motion Response module is mounted integral to luminaire factory pre-programmed to 50% dimming when not ordered with other control options. BL-IMRI is set/operates in the following fashion: The motion sensor is set to a constant 50%. When motion is detected by the PIR sensor, the luminaire returns to full power/light output. Dimming on low is factory set to 50% with 5 minutes default in "full power" prior to dimming back to low. When no motion is detected for 5 minutes, the motion response system reduces the wattage by 50%, to 50% of the normal constant wattage reducing the light level. Other dimming settings can be provided if different dimming levels are required. This can also be done with FSIR-100 Wireless Remote Programming Tool (contact Technical Support for details).

P26 PureForm LED medium

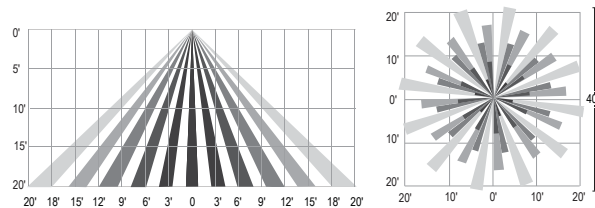
Area light

Specifications (cont'd)

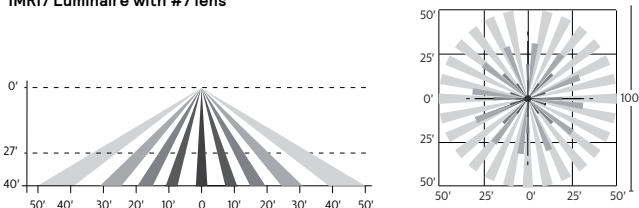
Infrared Motion Response with Other Controls: When used in combination with other controls (Automatic Dimming Profile), motion response device will simply override controller's schedule with the added benefits of a combined dimming profile and sensor detection. In this configuration, the motion response device cannot be re-programmed with FSIR-100 Wireless Remote Programming Tool. The profile can only be re-programmed via the controller.

Infrared Motion Response Lenses (IMRI3/IMRI7): Infrared Motion Response Integral module is available with two different sensor lens types to accommodate various mounting heights and occupancy detection ranges. Lens #3 (IMRI3) is designed for mounting heights up to 20' with a 40' diameter coverage area. Lens #7 is designed for higher mounting heights up to 40' with larger coverage areas up to 100' diameter coverage area. See charts for approximate detection patterns:

IMRI3 Luminaire with #3 lens



IMRI7 Luminaire with #7 lens



Electrical

Twist-Lock Receptacle (TLRD5/TLRD7/ TLRPC): Twist Lock Receptacle with 5 pins enabling dimming or with 7 pins with additional functionality (by others) can be used with a twistlock photoelectric cell or a shorting cap. Dimming Receptacle Type B (5-pin) and Type D-24 (7-pin) in accordance to ANSI C136.41. Can be used with third-party control system. Receptacle located on top of luminaire housing. When specifying receptacle with twistlock photoelectric cell, voltage must be specified. When ordering Twist-lock receptacle (TLRD5 or TLRD7), photocell or shorting cap is not included. TLRPC is shipped standard with 5 pin.

Buy American Act of 1933 (BAA):

This product is manufactured in one of our US factories and, as of the date of this document, this product was considered a commercially available off-the-shelf (COTS) item meeting the requirements of the BAA. This BAA designation hereunder does not address (i) the applicability of, or availability of a waiver under, the Trade Agreements Act, or (ii) the "Buy America" domestic content requirements imposed on states, localities, and other non-federal entities as a condition of receiving funds administered by the Department of Transportation or other federal agencies. Prior to ordering, please visit www.signify.com/baa to view a current list of BAA-compliant products to confirm this product's current compliance.

Driver: Driver efficiency (>90% standard). 120-480V available (restrictions apply). Open/short circuit protection. Optional 0-10V dimming to 10% power. RoHS compliant.

Button Photocontrol (PCB): Button style design for internal luminaire mounting applications. The photocontrol is constructed of a high impact UV stabilized polycarbonate housing. Rated voltage of 120V or 208-277V with a load rating of 1000 VA. The photocell will turn on with 1-4Fc of ambient light.

Surge protection (SP1/SP2): Surge protection device tested in accordance with ANSI/IEEE C62.45 per ANSI/IEEE C62.41.2 Scenario I Category C High Exposure 10kV/10kA waveforms for Line-Ground, Line-Neutral and Neutral-Ground, and in accordance with DOE MSSLC Model Specification for LED Roadway Luminaires Appendix D Electrical Immunity High test level 10kV/10kA. 20kV / 10kA surge protection device that provides extra protection beyond the SP1 10kV/10kA level

Listings

UL/cUL wet location listed to the UL 1598 standard, suitable for use in ambient temperatures from -40° to 40°C (-40° to 104°F). Most PureForm P26 configurations are qualified under Premium DesignLights Consortium® category. Consult DLC Qualified Products list to confirm your specific luminaire selection is approved. CCTs 3000K and warmer are Dark Sky Approved.

Finish

Each standard color luminaire receives a fade and abrasion resistant, electrostatically applied, thermally cured, triglycidal isocyanurate (TGIC) textured polyester powdercoat finish. The surface treatment achieves a minimum of 1000 hours for salt spray resistant finish in accordance with testing performed and per ASTM B117 standard. Standard colors include bronze (BZ), black (BK), white (WH), dark gray (DGY), and medium gray (MGY). Consult factory for specs on optional or custom colors.

Warranty

PureForm luminaires feature a 5-year limited warranty. See signify.com/warranties for complete details and exclusions.

