



**Creativity and continuity can coexist**

**Paradox:** a situation where two facts seem to state the impossible, yet actually reveal an intriguing truth

---

The next generation of Gardo PureForm LED site and area luminaires proves that the impossible is indeed possible.

A paradox of

**creativity  
and continuity**





# Make a distinctive statement

again and again

**PureForm** is a cohesive stylish family that offers you continuity within a project, while still helping you make your own unique statement every time.

With PureForm, you can illuminate an entire site with one family, yet each individual luminaire is optimally designed. We know that your image is your reputation, and PureForm makes it easy to provide both comfort and performance while making a distinct impression. Seamlessly integrating the entire family with the latest controls solutions also makes management easy, further enhancing value and allure.





# Aesthetics that are **uniquely similar**

At a glance, **PureForm** luminaires are obviously all part of one family, but each product also makes a strong individual aesthetic statement. Your image is not sacrificed, yet your luminaire selection is simplified, saving time and hassle.

The PureForm family consists of small, medium, and large area luminaires, a wall sconce, bollard, and post top. These luminaires were designed to complement each other, yet each product fulfills its own unique purpose in style. This ensures that the luminaires bring a cohesive feeling to your project, while also enhancing your creative vision.





# Strikingly unobtrusive

Your site is a palette for your artistic vision. Luminaires are one of the mediums through which you create that vision, but they shouldn't take away from it.



PureForm boasts sleek, unobtrusive profiles that minimize distraction while creatively providing light to enhance the user experience. Providing you inspiration rather than frustration, this family complements your space day and night, while helping users have a sense of security.



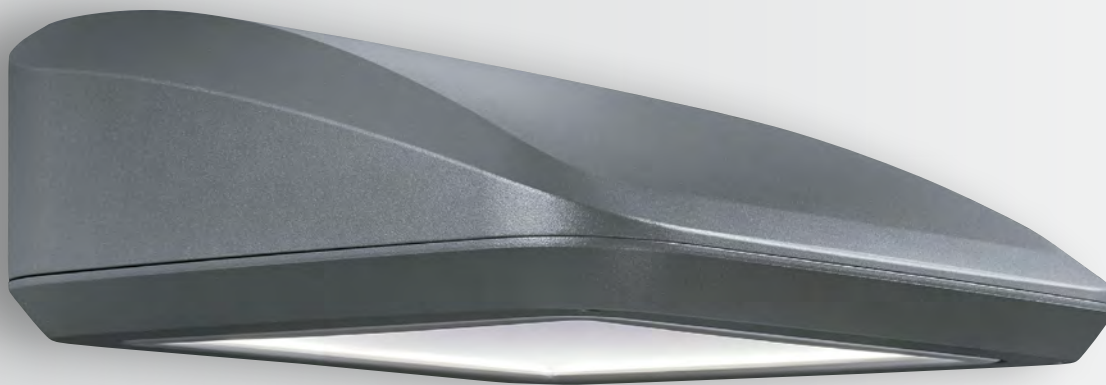




# Anticipate **unexpected comfort**

Rest assured that your projects will be recognized not only for their image, but also for providing desired, yet unexpected, comfort and usability.

Comfort optics available in the small and medium area, the round arm mount and post top, and the wall sconce, reduce glare for an enhanced user experience.



# More possibilities mean **fewer choices**

Stop wasting time looking for a different luminaire for each application. With two specialized light engines and multiple lumen outputs, you have a full range of possibilities from this single family.

Precision optics

Comfort optics



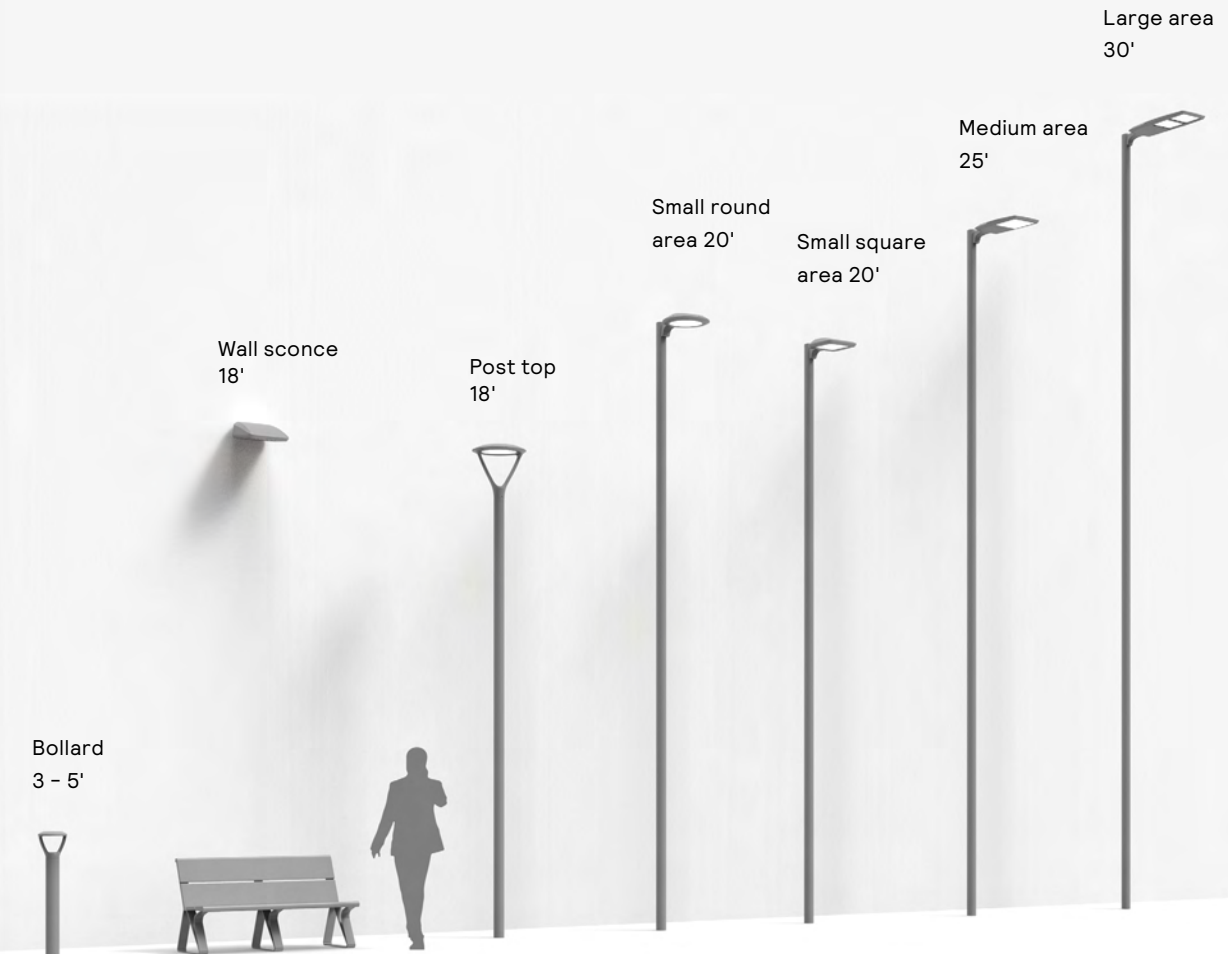
From pedestrian and low glare to high performance, the PureForm family can satisfy your exact requirements while maintaining project continuity.

#### Comfort optics

- Eliminate glare to increase visual comfort for an enhanced user experience
- Best suited for pedestrian applications at lower mounting heights
- Provide flexibility of optical distributions while focusing on the capabilities needed for pedestrian applications

#### Precision optics

- Multiple lumen outputs, including higher output to accommodate higher mounting heights
- Optimized for performance, uniformity and spacing
- Provide greater control, with shielding and back light control options
- Extremely energy efficient, providing efficacy up to 150 LPW



# Completely connected

**PureForm** luminaires easily integrate with a full range of control options, from simple to advanced. The entire family can be controlled individually or communicate with each other, offering ease of management and significant savings.

Balancing the fine line between technology and ease of use, this seamless integration of dynamic and adaptable lighting will create an ecosystem that can be managed at your fingertips.

Compatible controls:

- 0-10V dimming
- Dual circuit control
- Motion response
- Automatic profile dimming
- SiteWise area lighting management system



### SiteWise area lighting management system

This complete area lighting management system uses patented central dimming technology to deliver optimal energy savings using your site's existing cabling. With no additional wiring required, installation and commissioning are simple. An intuitive mobile app makes it easy for authorized users to set schedules to meet site specific lighting needs, local regulations, and energy codes.



## Thermal management

Low profile housing provides excellent convection heat transfer with minimum use of heat fins

## Rugged construction

Die-cast aluminum housing ensures high quality and corrosion resistance

Luminaire and optics are rated IP66

- **Lumen output:** 2,000–9,000 lumens
- **Efficacy:** 87–111 LPW
- **Color temperature:** Amber, 2700K, 3000K, 3500K, 4000K, 5000K
- **Mounting:** T2 mounts to 2–3/8" tenon  
T3 mounts to 3" x 4" tenon
- **Optical distributions:** Type 1, 2, 3, 5
- **Emergency:** Optional emergency battery backup (cold pack available)

Prior to ordering, consult specification sheets on [lightingproducts.signify.com](http://lightingproducts.signify.com) for the most current information, notes, and exclusions.



## Comfort optics

Comfort optics enhance the user experience by providing a low glare lighting solution

## Optional integral motion sensor

Integral to the luminaire

Offers energy savings and can enhance sense of security

## Mounting

Standard tenon fits on a 3" OD by 4" long tenon

Mounting to 2–3/8" OD by 4" tenon is optional

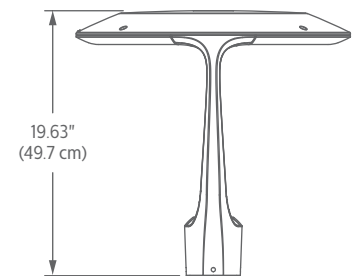
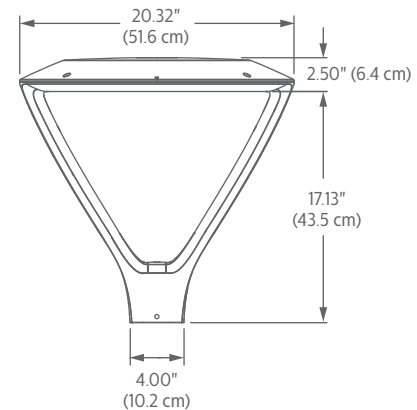
## Emergency battery backup

Optional emergency battery back up is integral to the luminaire

## Multiple finish options

Black, white, bronze, dark gray and medium gray textured finish options available, see p. 29

**Weight:** 20 lbs







## Rugged construction

Cast aluminum housing ensures highest quality

Optical and electrical compartments rated IP66 to ensure dust or moisture will not interfere with performance

## Emergency battery backup

Optional emergency battery back up is integral to the luminaire

## Optional integral motion sensor

Integral to the luminaire

Offers energy savings and can enhance sense of security

## Comfort optics

Comfort optics enhance the user experience by providing a low glare lighting solution

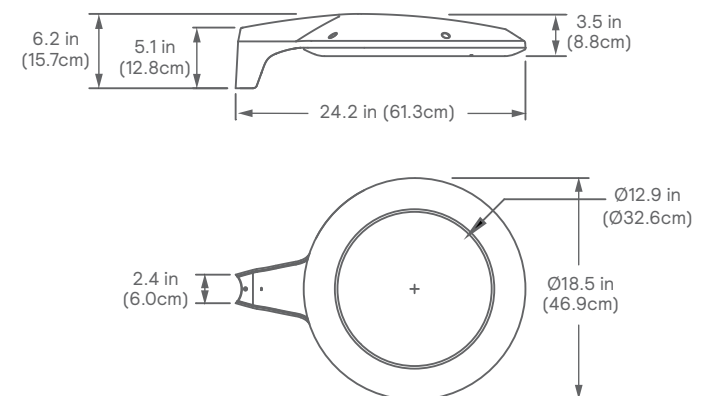
## Multiple finish options

Black, white, bronze, dark gray and medium gray textured finish options available, see p. 29

- **Lumen output:** 2,100 – 16,300 lumens
- **Efficacy:** 97-127 LPW
- **Color temperature:** 3000K, 4000K, 5000K
- **Mounting:** Standard arm, retrofit arm, or wall bracket
- **Optical distributions:** Type 1, 2, 4, 5 Short and Type 4 Concentrated Downlight

Prior to ordering, consult specification sheets on [lightingproducts.signify.com](http://lightingproducts.signify.com) for the most current information, notes, and exclusions.

**Weight:** With standard arm, 18 lbs





Science

# Small square area luminaire

# P15

## Rugged construction

Cast aluminum housing ensures highest quality

Optical and electrical compartments rated IP66 to ensure dust or moisture will not interfere with performance

## Precision optics

Multiple distribution options available with 2-4 LED modules for a range of different lumen outputs

## Emergency battery backup

Optional emergency battery back up is integral to the luminaire

## Optional integral motion sensor

Integral to the luminaire

Offers energy savings and can enhance sense of security

## Multiple finish options

Black, white, bronze, dark gray and medium gray textured finish options available, see p. 29

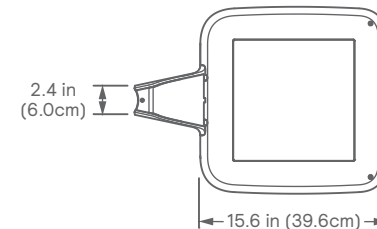
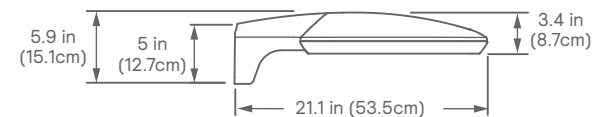
## Comfort optics

Comfort optics enhance the user experience by providing a low glare lighting solution

- **Lumen output:** Comfort optics: 2,200 – 10,800 lumens  
Precision optics: 1,700 – 16,500 lumens
- **Efficacy:** Comfort optics: 103–126 LPW  
Precision optics: 109–160 LPW
- **Color temperature:** 2700K, 3000K, 3500K, 4000K, 5000K
- **Mounting:** Standard arm, retrofit arm, or wall bracket
- **Optical distributions:** Comfort optics: Type 1, 2, 4, 5 Short and Type 4 Concentrated Downlight, and Precision optics: Type 2, 3 Medium, Type 4, 5 Short, BLC

Prior to ordering, consult specification sheets on [lightingproducts.signify.com](http://lightingproducts.signify.com) for the most current information, notes, and exclusions.

**Weight:** With precision optics and standard arm, 22 lbs  
With comfort optics and standard arm, 17 lbs





## Rugged construction

Die cast aluminum housing ensures highest quality

Optical and electrical compartments rated IP66 to ensure dust or moisture will not interfere with performance

## Precision optics

Multiple distribution options available with 3-5 LED modules for a range of different lumen outputs

- **Lumen output:** Comfort optics: 2,400-10,000 lumens  
Precision optics: 8,500-28,900 lumens
- **Efficacy:** Comfort optics: 101-113 LPW  
Precision optics: 124-150 LPW
- **Color temperature:** Amber, 2700K, 3000K, 3500K, 4000K, 5000K
- **Mounting:** Standard arm, adjustable slipfitter, retrofit arm, or wall bracket
- **Optical distributions:** Comfort optics: Type 2, 3, 5  
Precision optics: Type 2, 3, 4, 5, 5W, AFR, BLC

Prior to ordering, consult specification sheets on [lightingproducts.signify.com](http://lightingproducts.signify.com) for the most current information, notes, and exclusions.



## Optional integral motion sensor

Integral to the luminaire  
Offers energy savings and can enhance sense of security

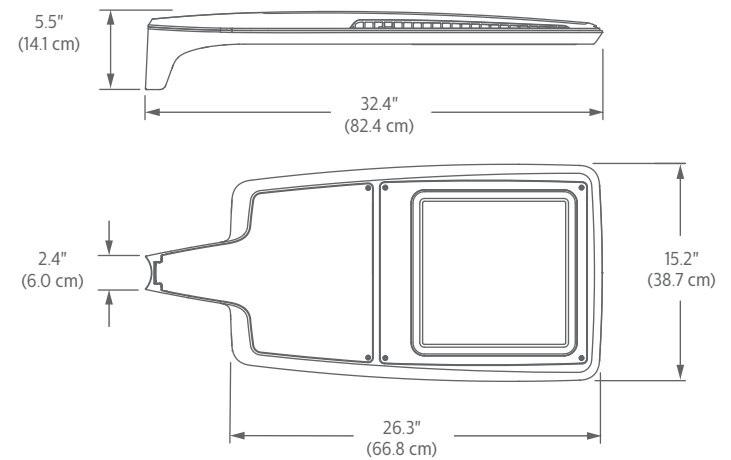
## Comfort optics

Comfort optics enhance the user experience by providing a low glare lighting solution

## Multiple finish options

Black, white, bronze, dark gray and medium gray textured finish options available, see p. 29

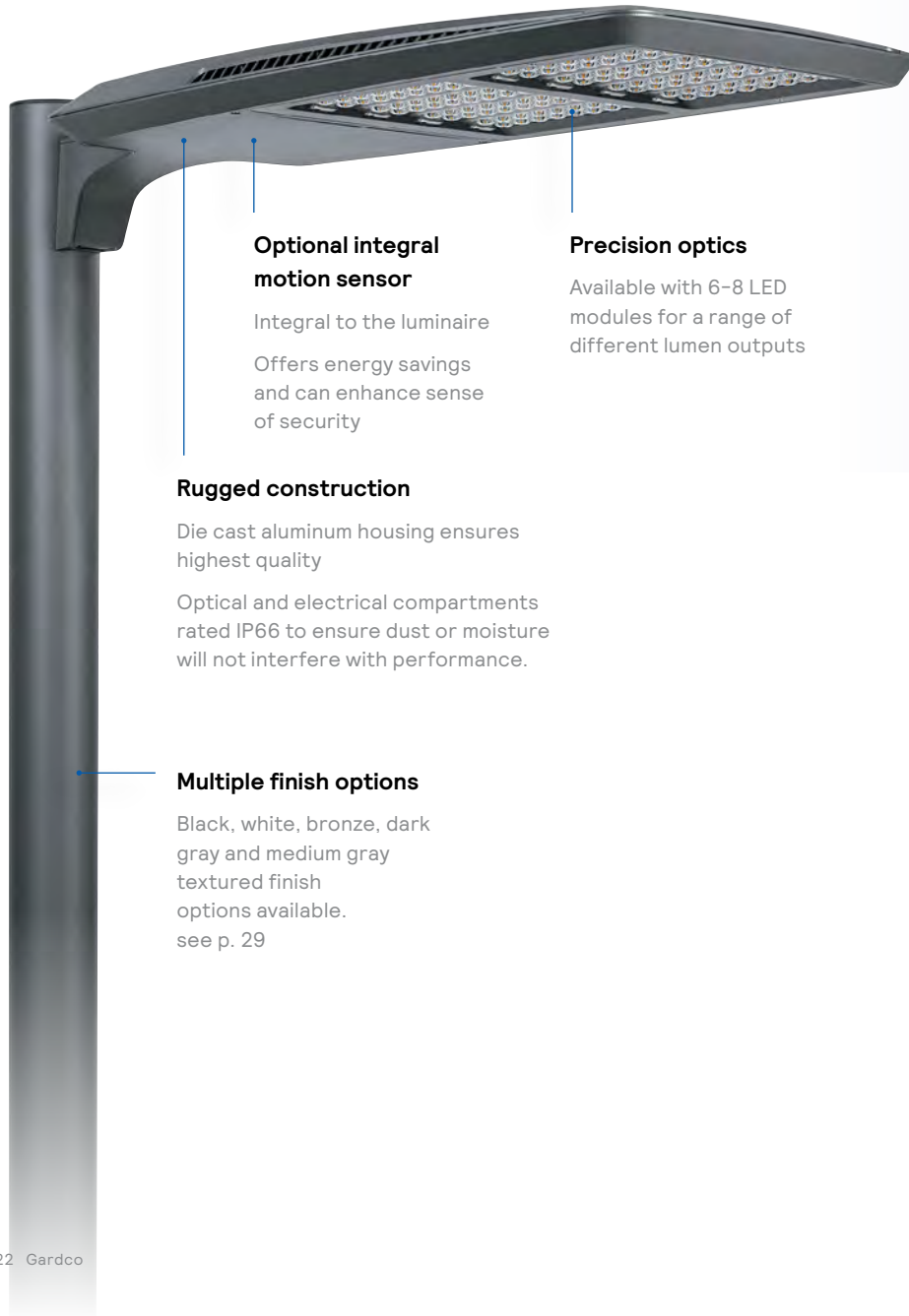
**Weight:** With standard arm, 27 lbs





# Large area luminaire

# P34



### Optional integral motion sensor

Integral to the luminaire  
Offers energy savings and can enhance sense of security

### Precision optics

Available with 6-8 LED modules for a range of different lumen outputs

### Rugged construction

Die cast aluminum housing ensures highest quality

Optical and electrical compartments rated IP66 to ensure dust or moisture will not interfere with performance.

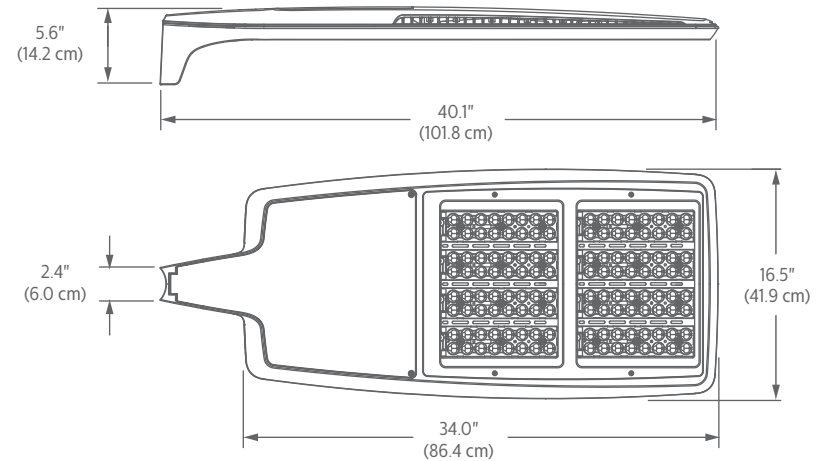
### Multiple finish options

Black, white, bronze, dark gray and medium gray textured finish options available. see p. 29

- **Lumen output:** 28,900 – 50,000 lumens
- **Efficacy:** 113-133 LPW
- **Color temperature:** Amber, 2700K, 3000K, 3500K, 4000K, 5000K
- **Mounting:** Standard arm, adjustable slipfitter, retrofit arm, or wall bracket
- **Optical distributions:** Type 2, 3, 4, 5, 5W, AFR, BLC

Prior to ordering, consult specification sheets on [lightingproducts.signify.com](http://lightingproducts.signify.com) for the most current information, notes, and exclusions.

**Weight:** With standard arm, 35 lbs







## Rugged construction

Die-cast aluminum housing  
Light engine is rated IP66 and luminaire is rated IP65

## Multiple finish options

Black, white, bronze, dark gray and medium gray textured finish options available, see p. 29

## Emergency battery backup

Optional emergency battery back up meets path-of-egress illumination requirements and is integral to the luminaire

## Precision optics

Multiple lumen outputs allow for mounting up to 25'  
Backlight control optics available to limit spill light

## Optional integral motion sensor

Completely integral to the luminaire with comfort optics  
Does not take away from aesthetics of the luminaire

Offers energy savings and can enhance sense of security

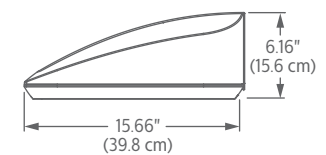
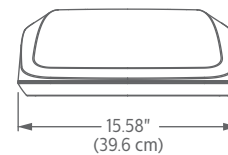
## Comfort optics

Comfort optics enhance the user experience by providing a low glare lighting solution

- **Lumen output:** Comfort optics: 2,500-10,700 lumens  
Precision optics: 6,300-21,800 lumens
- **Efficacy:** Comfort optics: 92-111 LPW  
Precision optics: 94-137 LPW
- **Color temperature:** Amber, 2700K, 3000K, 3500K, 4000K, 5000K
- **Optical distributions:** Comfort optics: Type 2, 3, 4  
Precision optics: Type 2, 3, 4, BLC
- **Emergency:** Optional emergency battery backup (cold pack available)

Prior to ordering, consult specification sheets on [lightingproducts.signify.com](http://lightingproducts.signify.com) for the most current information, notes, and exclusions.

**Weight:** Precision optics luminaire, 24 lbs  
Comfort optics luminaire, 20 lbs





## Intelligent optical design

IES Type 3 and 5 distributions allow for excellent uniformity and optimal spacing

High performance optical system designed to achieve wide spacings and full cutoff performance



## Emergency battery backup

Optional emergency battery back up is integral to the luminaire

## Multiple height options

Available in 36", 42" or 60" to achieve desired performance or aesthetics

## Rugged construction

Cast aluminum housing secured with flush, tamper-resistant stainless steel fasteners

Optics are fully sealed and gasketed, rated IP66

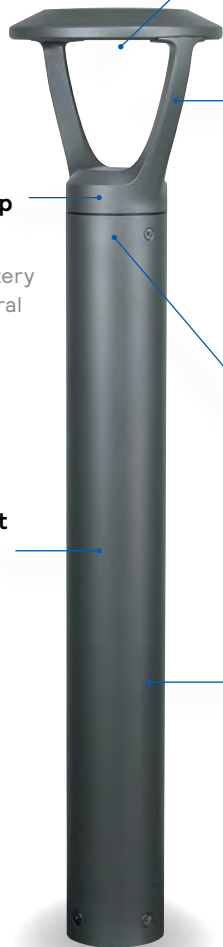
## Optional integral motion sensor

Integral to the luminaire

Offers energy savings and can enhance sense of security

## Multiple finish options

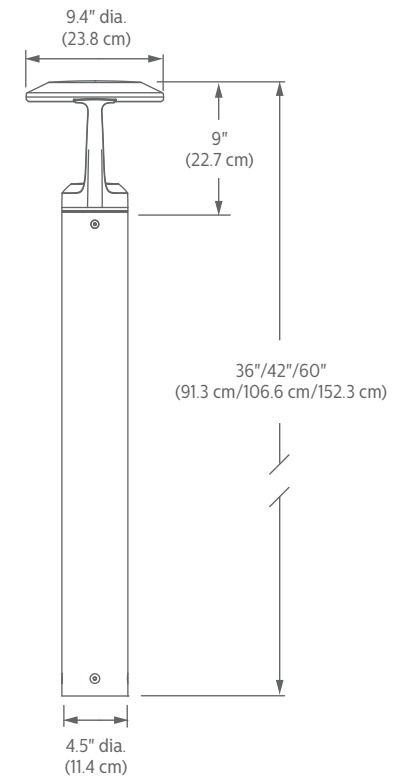
Black, white, bronze, dark gray and medium gray textured finish options available, see p. 29



- **Height options:** 36", 42", 60"
- **Lumen output:** 500-4,200 lumens
- **Efficacy:** 72-100 LPW
- **Color temperature:** Amber, 2700K, 3000K, 3500K, 4000K, 5000K
- **Optical distributions:** Type 3, 5
- **Emergency:** Optional emergency battery backup

Prior to ordering, consult specification sheets on [lightingproducts.signify.com](http://lightingproducts.signify.com) for the most current information, notes, and exclusions.

**Weight:** 36" - 16 lbs (7.5 kg)  
42" - 18 lbs (8.2 kg)  
60" - 22 lbs (9.9 kg)



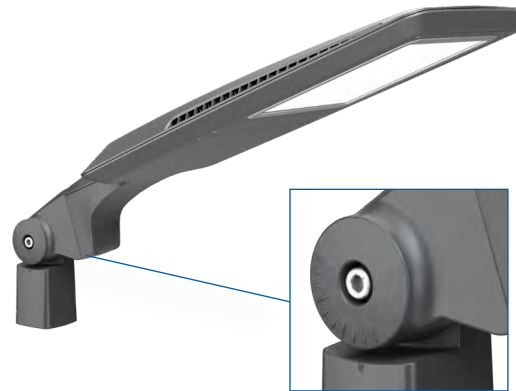


# Area luminaire mounting details and other options

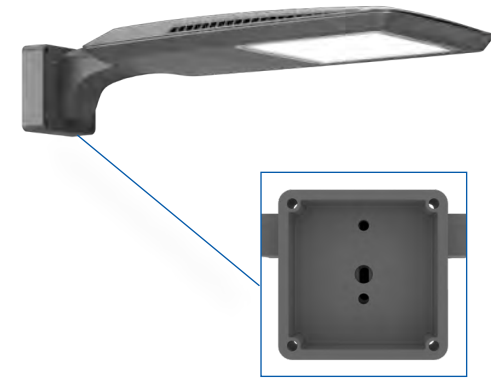
**Standard arm mount**



**Slipfitter mount**



**Wall mount**



**Retrofit arm mount**

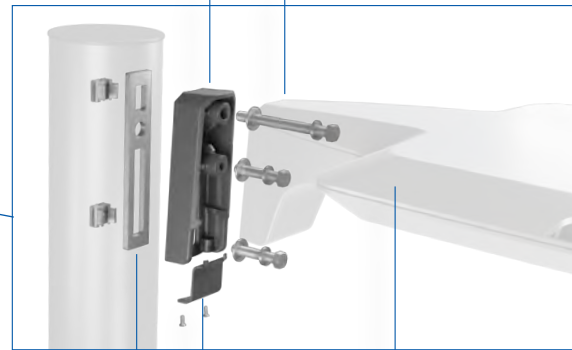


**Retrofit arm**

Allows the luminaire to be mounted using a range of existing drill patterns.

**Hardware**

Three bolts are provided to secure the luminaire to the retrofit arm, and the retrofit arm to the pole.



**Bolster plate**

The bolster plate includes an adjustable cage nut that allows you to mount the PureForm to any bolt pattern ranging from 2" to 5.2".

**Arm cover**

When installation is complete, simply tighten the two screws to lock the arm cover in place.

**PureForm luminaire**

Install the retrofit arm to the luminaire's integral arm.

It is easy to re-purpose existing poles by mounting PureForm luminaires with the retrofit arm mount (RAM). The RAM accessory can easily retrofit onto any existing drill pattern on round and square poles, eliminating the need for timely and costly pole drilling.

**Backlight control option**



PureForm's backlight control (BLC) optical system can be used to eliminate backlight. These shields are ideal for applications with stringent light trespassing outside property line.

## Finishes



BK – Black



BZ – Bronze



DGY – Dark Gray



MGY – Medium Gray



WH – White

# Experience the paradox of **creativity and continuity**

Discover how Gardco PureForm luminaires make the impossible possible. Simplify your luminaire selection, and add continuity to your projects without sacrificing your creative vision. Contact your local Sales Representative for a personal demonstration or visit [gardcolighting.com/PureForm](http://gardcolighting.com/PureForm) for more information.

