

IMPORTANT: FOR YOUR PROTECTION, YOU MUST CAREFULLY READ ALL WARNINGS AND INSTRUCTIONS IN THEIR ENTIRETY PRIOR TO INSTALLATION, OPERATION, SERVICE OR MAINTENANCE. FAILURE TO DO SO CAN RESULT IN DEATH, PERSONAL INJURY AND PROPERTY DAMAGE. If you do not understand these warnings and instructions, or if additional information is desired, please contact Signify at SanMarcos.TSC@signify.com phone 800-227-0758.

- Installation, service and maintenance of luminaires must be performed by a qualified professional and in accordance with all federal, state and local laws, regulations and electrical codes. This professional should be familiar with the construction and operation of this product and any hazards involved. If not qualified, do not attempt installation, service or maintenance.
- To reduce the risk of death, personal injury or property damage from fire, electric shock, falling parts, cuts, abrasions and other hazards, please read all warnings and instructions included with the luminaire, on the luminaire's packaging and affixed to the luminaire itself.
- Maintenance of the luminaires should be performed by person(s) familiar with the luminaire's construction and operation and any hazards involved.



WARNING

RISK OF FIRE, ELECTRIC SHOCK OR PERSONAL INJURY

- Disconnect or turn off power before attempting any installation, service or maintenance.
- Verify that supply voltage is correct by referencing the luminaire label information.
- Make all electrical and ground connections in accordance with the National Electrical Code (NEC) and any other applicable laws, regulations or codes.
- All wiring connections should be capped with UL-approved wire connectors.



WARNING

RISK OF PERSONAL INJURY

- Wear gloves and safety glasses at all times when removing luminaire from carton, installing, servicing or performing maintenance.
- Avoid direct eye exposure to the light source while it is on.



WARNING

RISK OF FIRE OR PERSONAL INJURY

- Keep combustible materials away from LED/lamp & lens
- Do not operate in close proximity to persons, combustible materials or substances affected by heat or drying.



WARNING

RISK OF FIRE, ELECTRIC SHOCK OR PERSONAL INJURY

- Allow Led/lamp & lens to cool before handling.
- Do not touch enclosure or light source
- Do not exceed maximum wattage marked on luminaire label.
- Follow all manufacturer's warnings, recommendations, instructions and restrictions for driver type, burning position, mounting locations and replacement.



CAUTION

RISK OF PRODUCT DAMAGE

- Never connect luminaires and/or components under load with supply voltage turned on.
- Do not mount or support these luminaires in a manner that can cut the outer jacket or damage wire insulation.
- Do not restrict fixture ventilation. Allow for some volume of airspace around luminaire. Avoid covering luminaire with insulation, foam or other material that will prevent convection or conduction cooling.
- Do not exceed luminaire maximum ambient temperature.
- Do not modify the luminaire.
- Only use luminaire in its intended application and location.
- Led products are polarity sensitive. Ensure proper polarity before installation.
- Electrostatic Discharge (ESD) can damage LED. Personal grounding equipment must be worn during all installation and servicing of the luminaire.
- Do not touch individual electrical components as this can cause ESD, shorten LED life, or impact LED performance.
- Some components inside the luminaire may not be serviceable. In the unlikely event your luminaire may require service, stop using it immediately and contact SanMarcos.TSC@signify.com phone 800-227-0758.
- Always read the luminaires complete installation instructions prior to installation for any additional luminaire specific warnings.
- In the case of HID or Fluorescent luminaires, regular re-lamping is required to keep luminaire operating within safe limits
- **Do not install damaged product.** Handling and installing damaged products can potentially increase the risks mentioned. In case of damage and/or missing parts upon arrival of the luminaire, please contact SanMarcos.TSC@signify.com phone 800-227-0758.
- These instructions do not purport to cover all details or variations in equipment nor to provide every possible contingency to meet in connection with installation, operation or maintenance. Should further information be desired or should particular problems arise which are not covered sufficiently for the purchaser's or owner's purposes, this matter should be referred to SanMarcos.TSC@signify.com phone 800-227-0758.
- Please see luminaire specific Installation and Maintenance Instruction for additional warnings or any applicable FCC or regulatory statements. Failure to follow any of these Instructions could void luminaires warranties.

Luminaire Maintenance

- Regular luminaire maintenance programs are recommended.
- It is recommended to clean the outside of the luminaire and the refractor/lens.
- Frequency of cleaning will depend on ambient dirt level and minimum light output which is acceptable to user.
- If clean water is not sufficient for cleaning, use a neutral, synthetic, not-scratching and not-abrasive cleaning substance.
- Never use alkaline and/or acetous cleaning substances.
- Make sure that the cleaning substance is carefully removed by rinsing with lots of clean water.
- Signify recommends using a cleaning solution that has a PH between 5 and 8.
- Recycle: For information on how to recycle electronic products and components, please visit www.epa.gov.

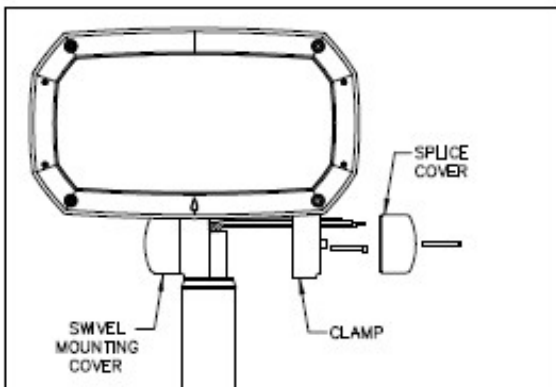
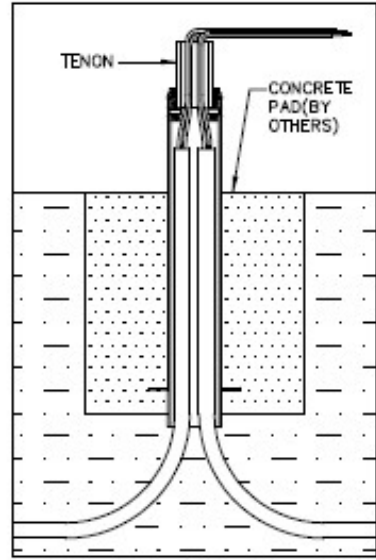
IMPORTANT: READ ALL INSTRUCTIONS BEFORE PERFORMING ANY WORK. BE SURE ALL POWER IS OFF PRIOR TO INSTALLING LUMINAIRES.

WARNING: FIXTURE MUST BE GROUNDED IN ACCORDANCE WITH APPROPRIATE CODES. FAILURE TO DO SO MAY RESULT IN SERIOUS INJURY.

FIXTURE IS APPROVED FOR ABOVE GRADE INSTALLATIONS ONLY

ST: STANCHION MOUNT

1. STUB-UP THROUGH STANCHION ASSEMBLY AS SHOWN. A MINIMUM OF SIX INCHES TO A MAXIMUM OF SIXTEEN INCHES OF THE STANCHION POST IS TO BE EMBEDDED IN A CONCRETE PAD.
2. PULL WIRE SO THAT AT A MINIMUM OF SEVEN INCHES OF WIRE EXTENDS BEYOND THE TENON.
3. REMOVE SPLICE COVER AND CLAMP FROM SWIVEL ASSEMBLY. REST EDGE OF FIXED CLAMP ON FLANGE AT BOTTOM OF TENON. ROUTE FIXTURE AND SUPPLY WIRES THROUGH CLAMP. SECURE CLAMP TO SWIVEL ASSEMBLY WITH 1/4-20 BOLTS PREVIOUSLY REMOVED.
4. MAKE ELECTRICAL CONNECTIONS. FIXTURE LINE TO SUPPLY LINE, COMMON TO COMMON AND GROUND TO GROUND. WIRING TO ADDITIONAL FIXTURES ON THE SAME CIRCUIT MAY BE INCLUDED IN THE SWIVEL SPLICE COMPARTMENT.



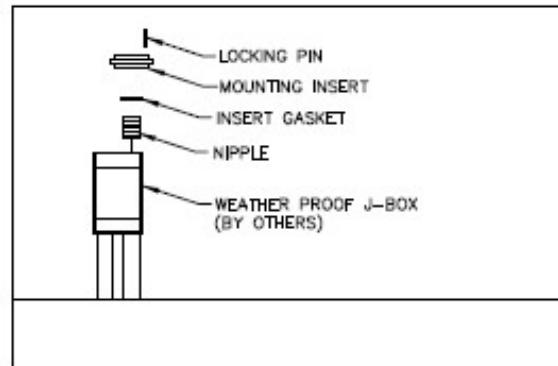
5. THE FIXTURE MAY BE AIMED ON THE VERTICAL AXIS BY LOOSENING THE CLAMP BOLTS AND ROTATING THE FIXTURE AS REQUIRED. TO AIM ON THE HORIZONTAL AXIS, LOOSEN THE BOLT IN THE CENTER OF THE SWIVEL MOUNTING COVER. EACH MARK ON THE MOUNTING COVER INDICATES 15°. THE INTERNAL TEETH LOCK EVERY 5°. TIGHTEN BOLTS WHEN AIMING IS COMPLETE.

6. SECURE SPLICE COVER TO CLAMP WITH SCREW PREVIOUSLY REMOVED.

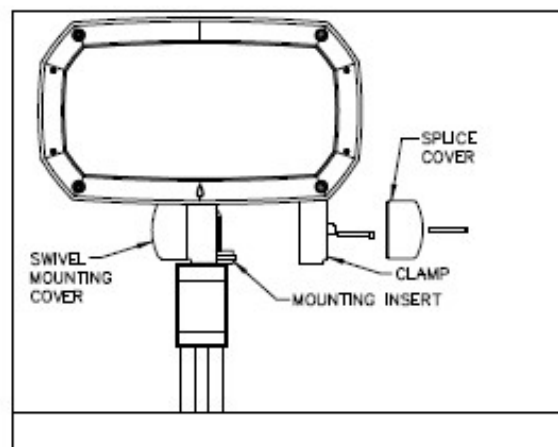
© 2018 Signify Holding. All rights reserved. This document contains information relating to the product portfolio of Signify which information may be subject to change. No representation or warranty as to the accuracy or completeness of the information included herein is given and any liability for any action in reliance thereon is disclaimed. The information presented in this document is not intended as any commercial offer and does not form part of any quotation or contract. All trademarks are owned by Signify Holding or their respective owners.

J: WEATHER PROOF J-BOX MOUNT - DFL7/DFC7

1. SCREW NIPPLE INTO WEATHER PROOF J-BOX (BY OTHERS).PLACE INSERT GASKET OVER NIPPLE AND SCREW ON MOUNTING INSERT MAKING SURE THAT THE GASKET RECESS FACES THE GASKET.AFTER TIGHTENING THE MOUNTING INSERT TO FULLY COMPRESS THE GASKET,TAP THE LOCKING PIN THROUGH ONE OF THE THREE HOLES IN THE MOUNTING INSERT THAT WILL ALLOW THE PIN TO EXTEND THROUGH AND BEAR AGAINST THE J-BOX SIDE.THIS WILL PREVENT REMOVAL OF THE MOUNTING INSERT.



2. REMOVE SPLICE COVER AND CLAMP FROM SWIVEL ASSEMBLY.REST EDGE OF FIXED CLAMP ON J-BOX SURFACE ADJACENT TO MOUNTING INSERT.SLIDE FIXTURE SO THAT THE MOUNTING INSERT ENGAGES THE RECESS IN THE FIXED CLAMP.FEED FIXTURE WIRES THROUGH NIPPLE.SECURE CLAMP TO SWIVEL ASSEMBLY WITH 1/4-20 BOLTS PREVIOUSLY REMOVED.



3. MAKE ELECTRICAL CONNECTIONS IN WEATHER PROOF J-BOX.FIXTURE LINE TO SUPPLY LINE,COMMON TO COMMON AND GROUND TO GROUND.WIRING TO ADDITIONAL FIXTURES ON THE SAME CIRCUIT MAY BE INCLUDED IN THE WEATHER PROOF J-BOX.INSTALL WEATHER PROOF J-BOX GASKET AND COVER (BY OTHERS).

4. THE FIXTURE MAY BE AIMED ON THE VERTICAL AXIS BY LOOSENING THE CLAMP BOLTS AND ROTATING THE FIXTURE AS REQUIRED.TO AIM ON THE HORIZONTAL AXIS,LOOSEN THE BOLT IN THE CENTER OF THE SWIVEL MOUNTING COVER.EACH MARK ON THE MOUNTING COVER INDICATES 15 °.THE INTERNAL TEETH LOCK EVERY 5°.TIGHTEN BOLTS WHEN AIMING IS COMPLETE.

5. SECURE SPLICE COVER WITH SCREW PREVIOUSLY REMOVED.

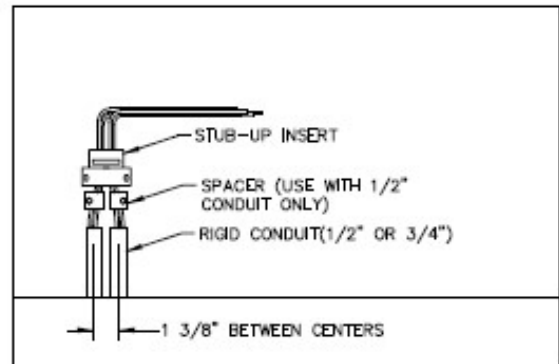
INSTALLATION INSTRUCTIONS	DESIGNER FLOOD DFL7/C7	PN:443561055080	Rev:D
DESIGNER FLOOD LUMINAIRE DFL7/DFC7		Page 4 of 5	

NO MOUNTING OPTION: DIRECT RIGID CONDUIT MOUNT - DFL7/DFC7

1. STUB UP 1-1/2" (1.9" OR 48.3mm O.D.) RIGID CONDUIT A MAXIMUM HEIGHT OF 12".
2. PULL WIRE SO THAT A MINIMUM OF SEVEN INCHES OF WIRE EXTENDS BEYOND THE CONDUIT.
3. REMOVE SPLICE COVER AND LOOSEN CLAMPING SCREWS. REST EDGE OF FIXED CLAMP ON END OF CONDUIT. ROUTE SUPPLY WIRES THRU THE CLAMP. SLIDE THE FIXTURE ONTO THE CONDUIT WITHOUT PINCHING OR ABRADING THE WIRES. AIM FIXTURE AND SECURE CLAMP TO CONDUIT WITH THE CLAMPING SCREWS PREVIOUSLY LOOSENED.
4. MAKE ELECTRICAL CONNECTIONS. FIXTURE LINE TO SUPPLY LINE, COMMON TO COMMON AND GROUND TO GROUND. WIRING TO ADDITIONAL FIXTURES ON THE SAME CIRCUIT MAY BE INCLUDED IN THE SWIVEL SPLICE COMPARTMENT.
5. THE FIXTURE MAY BE AIMED ON THE VERTICAL AXIS BY LOOSENING THE CLAMP BOLTS AND ROTATING THE FIXTURE AS REQUIRED. TO AIM ON THE HORIZONTAL AXIS, LOOSEN THE BOLT IN THE CENTER OF THE SWIVEL MOUNTING COVER. EACH MARK ON THE MOUNTING COVER INDICATES 15°. THE INTERNAL TEETH LOCK EVERY 5°. TIGHTEN BOLTS WHEN AIMING IS COMPLETE.
6. SECURE SPLICE COVER TO CLAMP WITH SCREW PREVIOUSLY REMOVED.

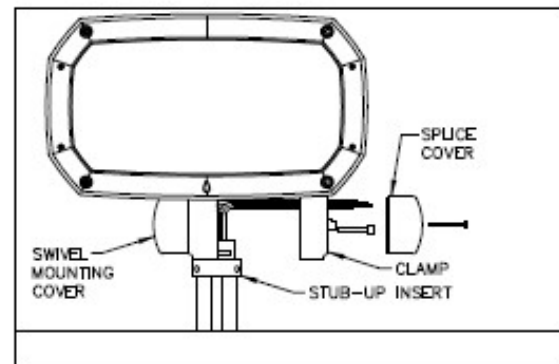
C: STUB-UP RIGID CONDUIT MOUNT

1. STUB-UP 1/2 OR 3/4 INCH RIGID CONDUIT SO THAT CENTER TO CENTER SPACING IS 1 3/8 INCHES SPACING. THE STUB-UP INSERT MAY BE USED TO PROPERLY POSITION THE CONDUIT. (NOTE: THE SPACERS ARE USED WITH 1/2 INCH CONDUIT ONLY)



2. REMOVE STUB-UP INSERT IF IT WAS USED IN STEP 1. PULL WIRE SO THAT A MINIMUM OF TEN INCHES OF WIRE EXTENDS BEYOND THE END OF THE CONDUIT.

3. FEED WIRES THROUGH STUB-UP INSERT. (NOTE: SPACERS, IF USED, MAY BE RETAINED IN THE STUB-UP INSERT BY THE SET SCREWS PASSING THROUGH THE SPACER CLEARANCE HOLES.) PLACE STUB-UP INSERT OVER CONDUIT AND TIGHTEN SET SCREWS.



4. REMOVE SPLICE COVER AND CLAMP FROM SWIVEL ASSEMBLY. REST EDGE OF FIXED CLAMP ON TOP SURFACE OF STUB-UP INSERT COLLAR. ROUTE FIXTURE AND SUPPLY WIRES THROUGH CLAMP. SECURE CLAMP TO SWIVEL ASSEMBLY WITH 1/4-20 BOLTS PREVIOUSLY REMOVED.

5. MAKE ELECTRICAL CONNECTIONS. FIXTURE LINE TO SUPPLY LINE, COMMON TO COMMON AND GROUND TO GROUND. WIRING TO ADDITIONAL FIXTURES ON THE SAME CIRCUIT MAY BE INCLUDED IN THE SWIVEL SPLICE COMPARTMENT.

6. THE FIXTURE MAY BE AIMED ON THE VERTICAL AXIS BY LOOSENING THE CLAMP BOLTS AND ROTATING THE FIXTURE AS REQUIRED. TO AIM ON THE HORIZONTAL AXIS, LOOSEN THE BOLT IN THE CENTER OF THE SWIVEL MOUNTING COVER. EACH MARK ON THE MOUNTING COVER INDICATES 15°. THE INTERNAL TEETH LOCK EVERY 5°. TIGHTEN BOLTS WHEN AIMING IS COMPLETE.

7. SECURE SPLICE COVER TO CLAMP WITH SCREW PREVIOUSLY REMOVED.