

**IMPORTANT:** FOR YOUR PROTECTION, YOU MUST CAREFULLY READ ALL WARNINGS AND INSTRUCTIONS IN THEIR ENTIRETY PRIOR TO INSTALLATION, OPERATION, SERVICE OR MAINTENANCE. FAILURE TO DO SO CAN RESULT IN DEATH, PERSONAL INJURY AND PROPERTY DAMAGE. If you do not understand these warnings and instructions, or if additional information is desired, please contact Signify at [SanMarcos.TSC@signify.com](mailto:SanMarcos.TSC@signify.com) phone 800-227-0758.

- Installation, service and maintenance of luminaires must be performed by a qualified professional and in accordance with all federal, state and local laws, regulations and electrical codes. This professional should be familiar with the construction and operation of this product and any hazards involved. If not qualified, do not attempt installation, service or maintenance.
- To reduce the risk of death, personal injury or property damage from fire, electric shock, falling parts, cuts, abrasions and other hazards, please read all warnings and instructions included with the luminaire, on the luminaire's packaging and affixed to the luminaire itself.
- Maintenance of the luminaires should be performed by person(s) familiar with the luminaire's construction and operation and any hazards involved.



## WARNING

### RISK OF FIRE, ELECTRIC SHOCK OR PERSONAL INJURY

- Disconnect or turn off power before attempting any installation, service or maintenance.
- Verify that supply voltage is correct by referencing the luminaire label information.
- Make all electrical and ground connections in accordance with the National Electrical Code (NEC) and any other applicable laws, regulations or codes.
- All wiring connections should be capped with UL-approved wire connectors.



## WARNING

### RISK OF PERSONAL INJURY

- Wear gloves and safety glasses at all times when removing luminaire from carton, installing, servicing or performing maintenance.
- Avoid direct eye exposure to the light source while it is on.



## WARNING

### RISK OF FIRE OR PERSONAL INJURY

- Keep combustible materials away from LED/lamp & lens
- Do not operate in close proximity to persons, combustible materials or substances affected by heat or drying.



## WARNING

### RISK OF FIRE, ELECTRIC SHOCK OR PERSONAL INJURY

- Allow Led/lamp & lens to cool before handling.
- Do not touch enclosure or light source
- Do not exceed maximum wattage marked on luminaire label.
- Follow all manufacturer's warnings, recommendations, instructions and restrictions for driver type, burning position, mounting locations and replacement.



## CAUTION

### RISK OF PRODUCT DAMAGE

- Never connect luminaires and/or components under load with supply voltage turned on.
- Do not mount or support these luminaires in a manner that can cut the outer jacket or damage wire insulation.
- Do not restrict fixture ventilation. Allow for some volume of airspace around luminaire. Avoid covering luminaire with insulation, foam or other material that will prevent convection or conduction cooling.
- Do not exceed luminaire maximum ambient temperature.
- Do not modify the luminaire.
- Only use luminaire in its intended application and location.
- Led products are polarity sensitive. Ensure proper polarity before installation.
- Electrostatic Discharge (ESD) can damage LED. Personal grounding equipment must be worn during all installation and servicing of the luminaire.
- Do not touch individual electrical components as this can cause ESD, shorten LED life, or impact LED performance.
- Some components inside the luminaire may not be serviceable. In the unlikely event your luminaire may require service, stop using it immediately and contact [SanMarcos.TSC@signify.com](mailto:SanMarcos.TSC@signify.com) phone 800-227-0758.
- Always read the luminaires complete installation instructions prior to installation for any additional luminaire specific warnings.
- In the case of HID or Fluorescent luminaires, regular re-lamping is required to keep luminaire operating within safe limits
- **Do not install damaged product.** Handling and installing damaged products can potentially increase the risks mentioned. In case of damage and/or missing parts upon arrival of the luminaire, please contact [SanMarcos.TSC@signify.com](mailto:SanMarcos.TSC@signify.com) phone 800-227-0758.
- These instructions do not purport to cover all details or variations in equipment nor to provide every possible contingency to meet in connection with installation, operation or maintenance. Should further information be desired or should particular problems arise which are not covered sufficiently for the purchaser's or owner's purposes, this matter should be referred to [SanMarcos.TSC@signify.com](mailto:SanMarcos.TSC@signify.com) phone 800-227-0758.
- Please see luminaire specific Installation and Maintenance Instruction for additional warnings or any applicable FCC or regulatory statements. Failure to follow any of these Instructions could void luminaires warranties.

### Luminaire Maintenance

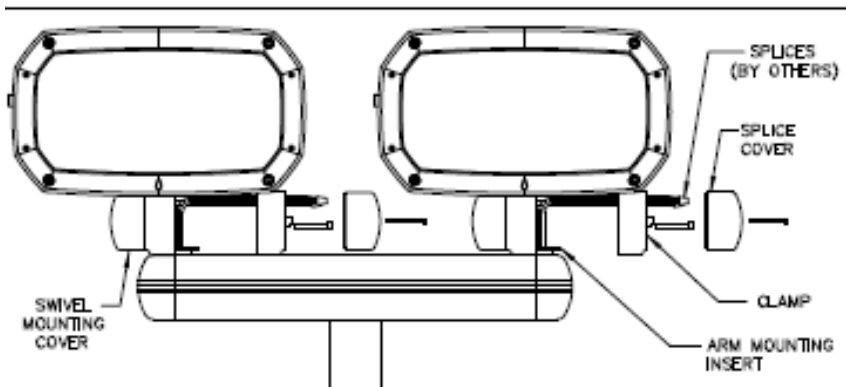
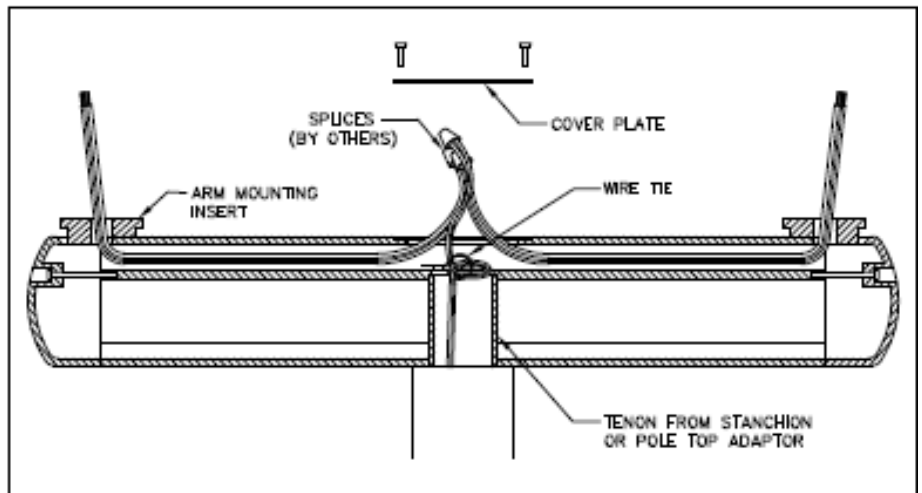
- Regular luminaire maintenance programs are recommended.
- It is recommended to clean the outside of the luminaire and the refractor/lens.
- Frequency of cleaning will depend on ambient dirt level and minimum light output which is acceptable to user.
- If clean water is not sufficient for cleaning, use a neutral, synthetic, not-scratching and not-abrasive cleaning substance.
- Never use alkaline and/or acetous cleaning substances.
- Make sure that the cleaning substance is carefully removed by rinsing with lots of clean water.
- Signify recommends using a cleaning solution that has a PH between 5 and 8.
- Recycle: For information on how to recycle electronic products and components, please visit [www.epa.gov](http://www.epa.gov).

**IMPORTANT:** READ ALL INSTRUCTIONS BEFORE PERFORMING ANY WORK, BE SURE ALL POWER IS OFF PRIOR TO INSTALLING LUMINAIRES.  
**WARNING:** FIXTURE MUST BE GROUNDED IN ACCORDANCE WITH APPROPRIATE CODES. FAILURE TO DO SO MAY RESULT IN SERIOUS INJURY.

FIXTURE IS APPROVED FOR ABOVE GRADE INSTALLATIONS ONLY

**TAB: TWIN ARM BRACKET**

1. SECURE TWIN ARM ASSEMBLY TO STANCHION OR POLE TOP ADAPTOR TENON WITH ARM SET SCREWS.
2. REMOVE COVER PLATE.
3. FOR POLE INSTALLATIONS, STRAIN RELIEVE SUPPLY WIRES BY INSERTING THE WIRE TIE THROUGH A LOOP OF SUPPLY WIRE. THE WIRE TIE IS TO ENCIRCLE THE SUPPLY WIRES WHERE THE LOOP OVERLAPS.
4. MAKE TWIN ARM ELECTRICAL CONNECTIONS. SUPPLY LINE TO BOTH ARM LINES, COMMON TO ARM COMMONS AND GROUND TO ARM GROUNDS.
5. RELOCATE SPLICES INTO ARM. REPLACE COVER PLATE.



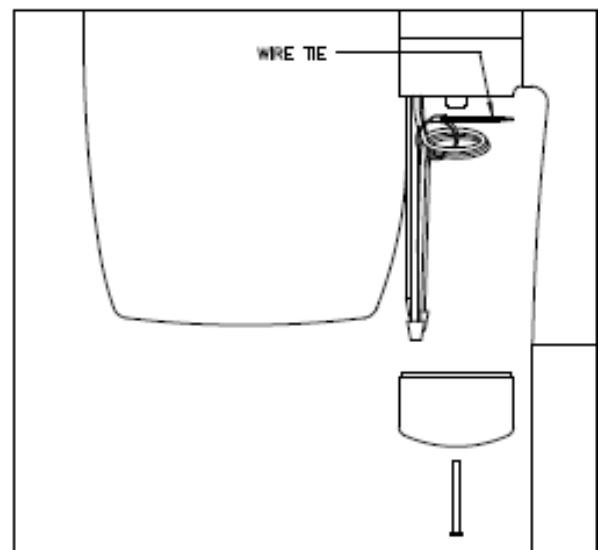
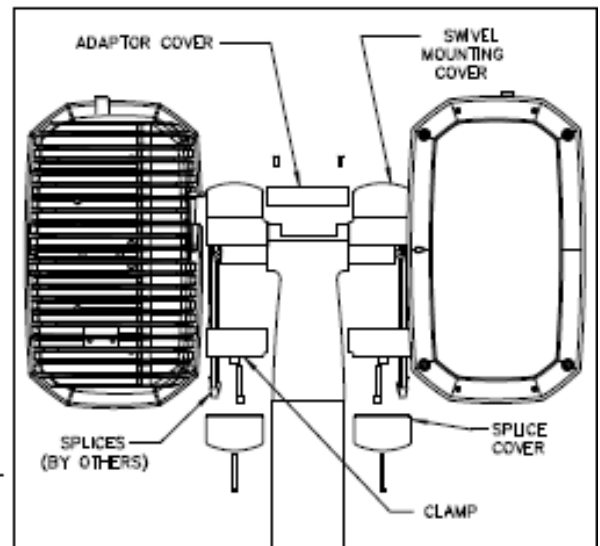
6. REMOVE SPLICE COVER AND CLAMP FROM SWIVEL ASSEMBLY OF FIRST FIXTURE. PLACE FIXED CLAMP ON TOP OF ARM SO THAT IT ENGAGES THE ARM MOUNTING INSERT FLANGE. ROUTE FIXTURE AND ARM WIRES THROUGH CLAMP. SECURE CLAMP TO SWIVEL ASSEMBLY WITH 1/4-20 BOLTS PREVIOUSLY REMOVED, BUT DO NOT FULLY TIGHTEN.

7. MAKE ELECTRICAL CONNECTIONS BETWEEN FIXTURE AND ARM. ARM LINE TO FIXTURE LINE, COMMON TO COMMON AND GROUND TO GROUND.
8. AIM THE FIXTURE BY LOOSENING THE 3/8-16 BOLT IN THE CENTER OF THE SWIVEL MOUNTING COVER. EACH MARK ON THE MOUNTING COVER INDICATES 15°. THE INTERNAL TEETH LOCK EVERY 5°. TIGHTEN SWIVEL AND CLAMP BOLTS WHEN AIMING IS COMPLETE.

9. SECURE SPLICE COVER TO CLAMP WITH SCREW PREVIOUSLY REMOVED.
10. INSTALL SECOND FIXTURE BY FOLLOWING INSTRUCTIONS 6 THROUGH 10.

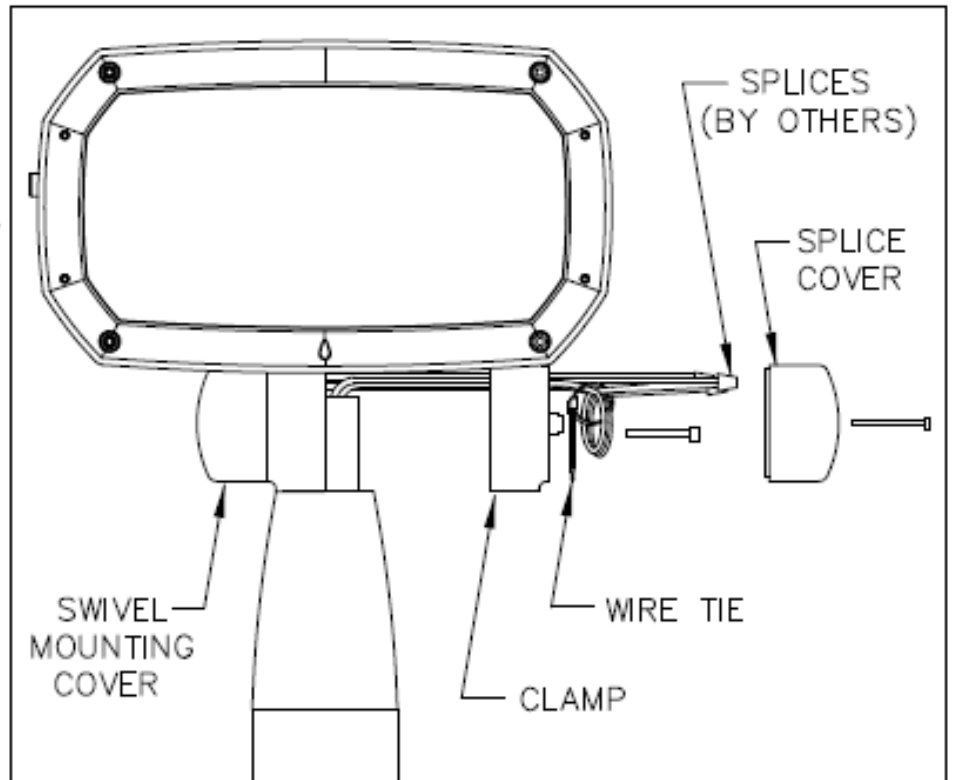
PT2: TWIN POLE TOP ADAPTER

1. SECURE TWIN ADAPTOR TO POLE TENON WITH TWIN ADAPTOR SET SCREWS.
2. REMOVE ADAPTOR COVER.
3. INSERT 25 INCH WIRE JUMPERS (BY OTHERS) FOR LINE, COMMON AND GROUND THROUGH ONE SIDE OF THE TWIN ADAPTOR AND OUT THE OTHER. PULL SUPPLY WIRES FROM POLE OUT OF ONE SIDE OF THE TWIN ADAPTOR.
4. REMOVE SPLICE COVER AND CLAMP FROM SWIVEL ASSEMBLY OF FIRST FIXTURE. REST FIXED CLAMP ON TWIN ADAPTOR TENON WHERE BOTH JUMPER AND SUPPLY WIRES EXTEND OUT. ROUTE WIRES THROUGH CLAMP. SECURE CLAMP TO SWIVEL ASSEMBLY WITH 1/4-20 BOLTS PREVIOUSLY REMOVED, BUT DO NOT FULLY TIGHTEN.
5. FORM A LOOP WITH SUPPLY WIRES. ENCIRCLE THE SUPPLY WIRES WITH THE WIRE TIE WHERE THE WIRES OVERLAP (AS SHOWN). SLIDE LOOP OVER CENTER BOSS OF CLAMP TO PROVIDE STRAIN RELIEF FOR SUPPLY WIRES. ROTATE FIXTURE SO THAT LENS FACES DOWNWARD.
6. MAKE ELECTRICAL CONNECTIONS. SUPPLY LINE TO FIXTURE LINE AND JUMPER LINE, SUPPLY COMMON TO FIXTURE AND JUMPER COMMON AND SUPPLY GROUND TO FIXTURE AND JUMPER GROUND.
7. AIM THE FIXTURE BY LOOSENING THE 3/8-16 BOLT IN THE CENTER OF THE SWIVEL MOUNTING COVER. EACH MARK ON THE SWIVEL MOUNTING COVER INDICATES 15°. THE INTERNAL TEETH LOCK EVERY 5°. TIGHTEN SWIVEL AND CLAMP BOLTS WHEN AIMING IS COMPLETE.
8. SECURE SPLICE COVER TO CLAMP WITH SCREW PREVIOUSLY REMOVED.
9. REPLACE ADAPTOR COVER.
10. INSTALL SECOND FIXTURE BY FOLLOWING INSTRUCTIONS 4 THROUGH 9 OMITTING INSTRUCTIONS THAT REFER TO SUPPLY WIRES.



PTA:POLE TOP ADAPTOR

1. SECURE POLE ADAPTOR TO POLE TENON WITH ADAPTOR SET SCREWS.
2. PULL SUPPLY WIRES FROM POLE AND OUT OF ADAPTOR.
3. REMOVE SPLICE COVER AND CLAMP FROM SWIVEL ASSEMBLY. PLACE FIXED CLAMP AGAINST POLE ADAPTOR TENON. ROUTE SUPPLY AND FIXTURE WIRES THROUGH CLAMP. SECURE CLAMP TO SWIVEL ASSEMBLY WITH 1/4-20 BOLTS PREVIOUSLY REMOVED, BUT DO NOT FULLY TIGHTEN.
4. FORM A LOOP WITH SUPPLY WIRES. ENCIRCLE THE SUPPLY WIRES WITH THE WIRE TIE WHERE THE WIRES OVERLAP (AS SHOWN). SLIDE LOOP OVER CENTER BOSS OF CLAMP TO PROVIDE STRAIN RELIEF FOR SUPPLY WIRES.



5. MAKE ELECTRICAL CONNECTIONS. SUPPLY LINE TO FIXTURE LINE, COMMON TO COMMON AND GROUND TO GROUND.
6. AIM THE FIXTURE BY LOOSENING THE 3/8-16" BOLT IN THE CENTER OF THE SWIVEL MOUNTING COVER. EACH MARK ON THE MOUNTING COVER INDICATES 15°. THE INTERNAL TEETH LOCK EVERY 5°. TIGHTEN SWIVEL AND CLAMP BOLTS WHEN AIMING IS COMPLETE.
7. SECURE SPLICE COVER TO CLAMP WITH SCREW PREVIOUSLY REMOVED.