

# CHLORIDE

## F1R Series

12V, 35W Remote Fixture



### INSTALLATION AND OPERATING INSTRUCTIONS

### IMPORTANT SAFEGUARDS

When using electrical equipment, basic safety precautions should always be followed, including the following:

### READ AND FOLLOW ALL SAFETY INSTRUCTIONS

All servicing should be performed by qualified personnel only.

Equipment should be mounted in locations and at heights where it will not be readily subjected to tampering by unauthorized personnel.

The use of accessory equipment not recommended by the manufacturer may cause an unsafe condition.

Do not use this equipment for other than intended use.

Do not use this equipment outdoors.

Do not let power supply cords touch hot surfaces.

Do not mount near gas or electric heaters.

**CAUTION: Halogen cycle lamp(s) are used in this equipment. To avoid shattering: Do not operate lamp in excess of rated voltage, protect lamp against abrasion and scratches and against liquids when lamp is operating, dispose of lamp with care.**

Halogen cycle lamps operate at high temperatures. Do not store or place flammable materials near lamp.

**CAUTION:** “To avoid electrical overload, total connected lamp load (factory and field installed) should not exceed output rating”.

This product is U.L. approved for use in both plenum and IC rated ceilings.

### SAVE THESE INSTRUCTIONS

**WARNING –** Shut off AC power to branch circuits to which units will be connected. All wiring should be per National Electrical Code and local regulations.

**CHLORIDE**

Signify North America Corporation  
200 Franklin Square Drive  
Somerset, NJ 08873, USA  
Phone: 855-486-2216  
[www.chloride-lighting.com](http://www.chloride-lighting.com)

Signify Canada Ltd./Signify Canada Ltée.  
281 Hillmount Road,  
Markham, ON, Canada L6C 2S3  
Phone: 800-668-9008

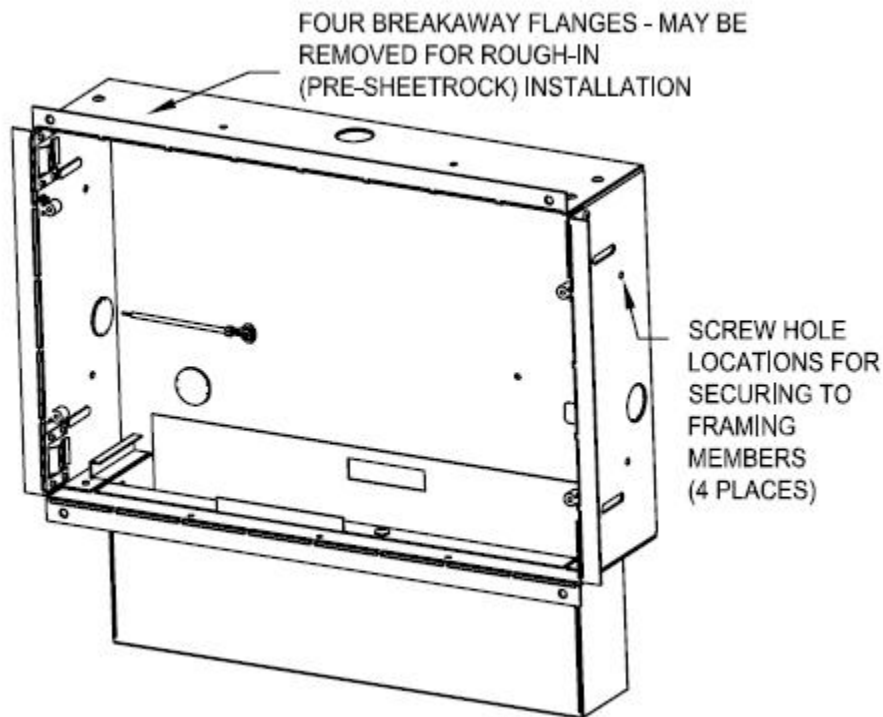
July 2018  
443580524871

# Instructions – Installation

Standard unit is ceiling mount only. Wall mount is optional and requires wall mount lens kit part number WMLK

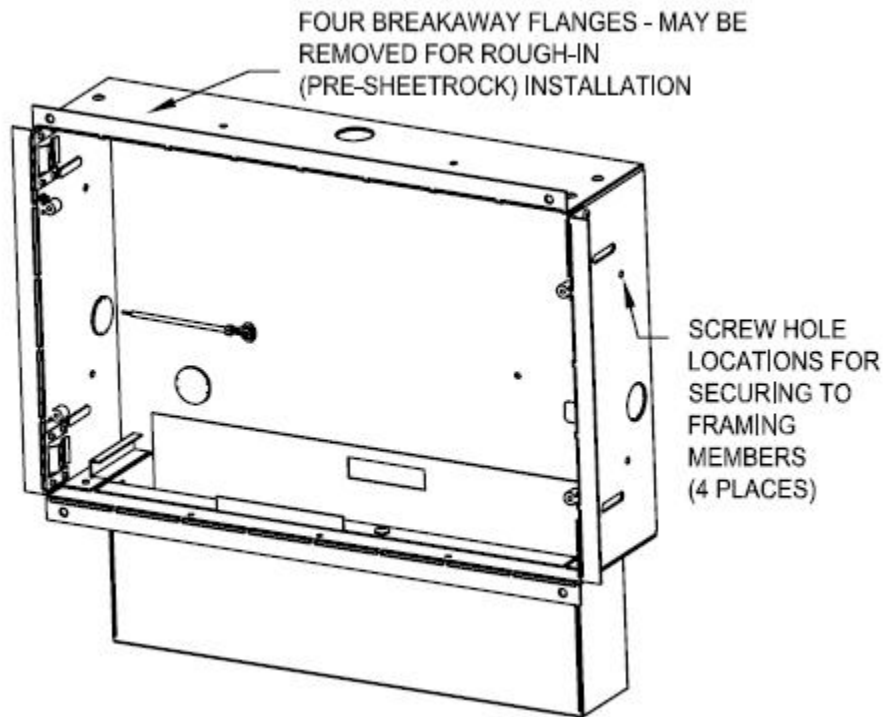
Follow step 1 appropriate to the desired mounting orientation

**(1A): FOR WALL MOUNT – 14 ¼” by 9 1/8” cut out required**



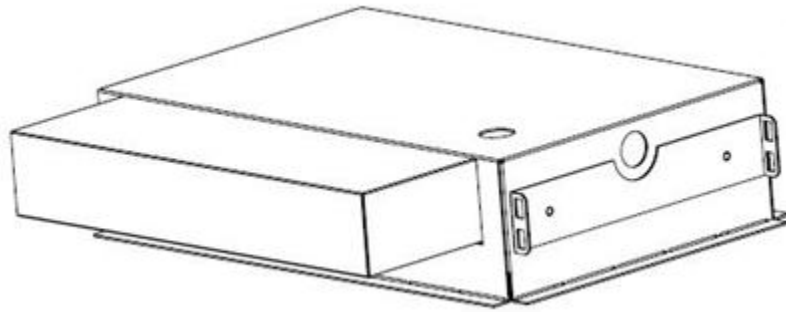
- Remove one knockout in sheet metal housing for AC service entry
- Unit is attached to studs through holes provided in sides of enclosure
- **ATTENTION:** Unit must be framed in properly on at least two sides in order to ensure adequate support.
- Breakaway tabs are provided on the edges of the larger sheet metal box and are recommended to be removed for rough-in installations. These tabs may be removed by bending them until they snap off using large pliers or Kleins. Beware of any sharp edges remaining after removal. A “Sheetrock Thickness Gauge” is printed on the sides of the housing to help set the box at the correct depth. Line up the edge of the line corresponding to the finished sheetrock thickness with the outer surface of the stud before securing the backbox to the stud. After sheetrock installation, the leading edge of the backbox should be flush with the outer sheetrock surface (room or finished surface).

**(1B): FOR SHEETROCK CEILING MOUNT – 14 1/4” by 9 1/8” cut out required**



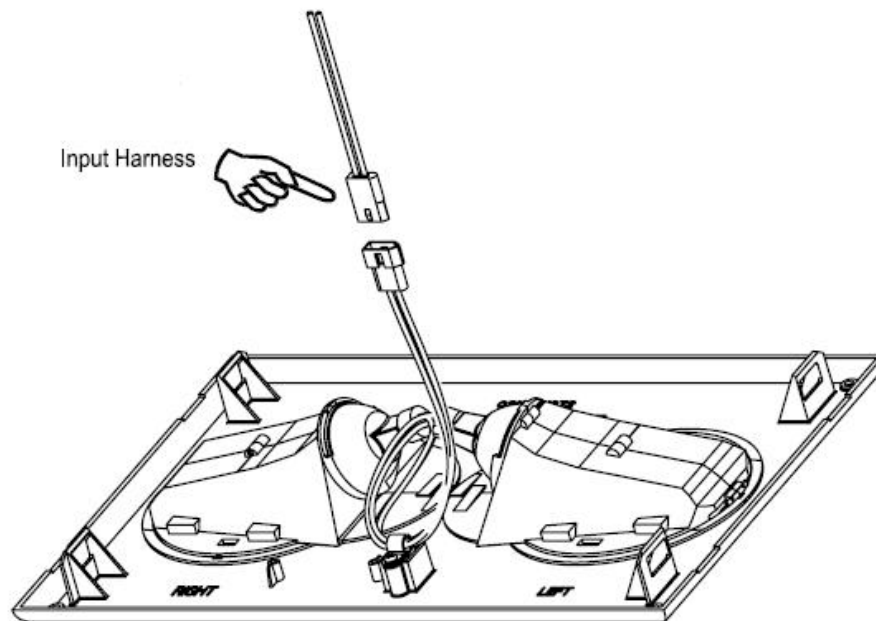
- Note: This product is U.L. approved for use in IC rated ceiling constructions.
- Remove one knockout in sheet metal housing for AC service entry
- Unit is attached to studs through holes provided in sides of enclosure
- ATTENTION: Unit must be framed in properly on at least two sides in order to ensure adequate support.
- Breakaway tabs are provided on the edges of the larger sheet metal box and are recommended to be removed for rough-in installations. These tabs may be removed by bending them until they snap off using large pliers or Kleins. Beware of any sharp edges remaining after removal. A “Sheetrock Thickness Gauge” is printed on the sides of the housing to help set the box at the correct depth. Line up the edge of the line corresponding to the finished sheetrock thickness with the outer surface of the stud before securing the backbox to the stud. After sheetrock installation, the leading edge of the backbox should be flush with the outer sheetrock surface (room or finished surface).

**(1C): FOR SUSPENDED CEILING MOUNT – 14 1/4” by 9 1/8” cut out required**

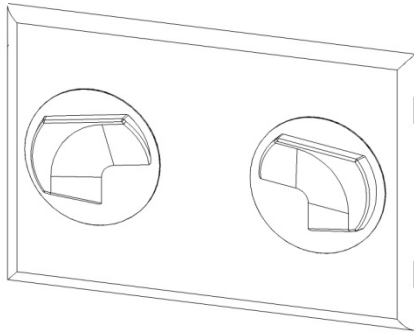


- Note: This product is U.L. approved for use in IC rated ceiling constructions.
- Note: Grid ceiling installation requires Chloride p/n FBHK bar hanger kit.
- Remove one knockout in sheet metal housing for AC service entry. Two grid ceiling adapters are provided – one for each side of the main housing. They are attached to the main housing by removing the four oblong knockouts in the short sides of the main housing and using the four #8 nuts provided. Place bar hangers through the lowest set of holes in the adapters and attach to the ceiling grid. Adjust the vertical alignment so that the backbox flanges are flush with the bottom (room side) of the ceiling tile.

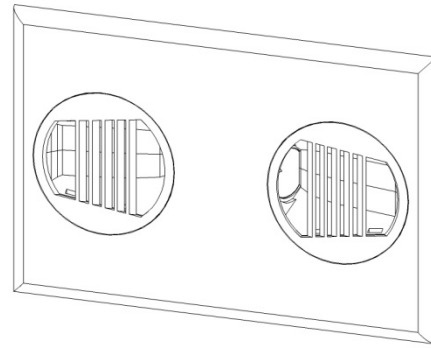
**(2):** Remove input harness from the faceplate assembly. Wire 12 volt service to input harness. Reconnect input harness to lamp assembly harness and snap faceplate onto backbox.



### (3): FACEPLATE ASSEMBLY (WALL MOUNT AND CEILING MOUNT)



WALL MOUNT  
(WITH OPTIONAL LENS KIT “WMLK”)



CEILING MOUNT

- Snap front panel onto enclosure
- Front panel may be removed by inserting a flat bladed instrument such as a putty knife or screwdriver under the edge and gently prying away from mounting surface.
- **NOTE:** THE REFLECTOR/LENS SYSTEM HAS BEEN DESIGNED SO THAT ROTATION WILL NOT BE REQUIRED FOR MOST INSTALLATIONS. LENSES MAY BE ROTATED 90° IF NECESSARY.