

CHLORIDE

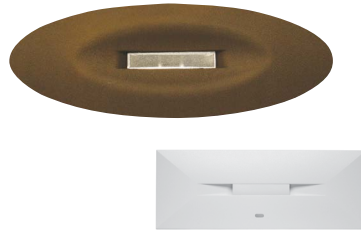
by Signify



Exit/Emergency

Fusion III

LED die-cast aluminum recessed ceiling light



Project:	
Location:	
Cat.No:	
Type:	
Lamps:	Qty:
Notes:	

Example: F3NBR31KICT

F3						
Series	Battery	Housing Finish¹	LED Designator	Model Designator	Options	
F3 - Fusion III LED Fixture	A - AC Only N - Self-Powered Emergency Unit with Nickel Metal Hydride Battery (NiMH)	W - White B - Black A - Aluminum BR - Dark Bronze	31K - 3,100 Kelvin 65K - 6,500 Kelvin	IC - Intelli-Charge Diagnostics ICT - Self-Testing Diagnostics (nickel metal hydride units only) ICTA - Audible Self-Testing Diagnostics (nickel metal hydride units only)	2CKT1 - Two-Circuit 120/120 VAC (AC only models) 2CKT2 - Two-Circuit 277/277 VAC (AC only models) DC - Universal 12-48 VDC Remote Emergency Input (AC only models) EX - Special Input Transformer (specify voltage & frequency) ² RT - Rectangular Trim Plate	

Accessories³ (Order Separately)

ICIR - Intelli-Charge Infra-Red Remote

Footnotes

- ¹ Custom colors are available. RAL# must be provided.
- ² Some options impact UL listing. Consult factory for specifics.
- ³ Consult Signify to confirm whether specific accessories are BAA-compliant.

codes and standards

- UL 924 listed
- UL damp location listing standard
- NFPA 101, NEC, IBC, BOCA, and OSHA illumination standard
- UL1598 Non-IC

construction

- Fully-gasketed and powder-painted die cast aluminum housing and cover with a minimalistic UV stabilized polycarbonate lens.
- Optional rectangular trim plate is available (RT option)

installation

- The housing is designed for direct mounting to a 3-1/2" or 4" octagonal or single gang junction boxes using convenient keyhole knockouts.
- The unit may also be connected to conduit via its conduit entry knockout.
- A bar hanger kit is provided for recessed mounting.

electronics

- 120/277 VAC dual voltage input with surge protection is standard on all models.
- Self-powered models feature the Intelli-Charge circuit where the charging system is microprocessor driven with software embedded diagnostic routine and temperature compensation.

- Self-powered models include brownout detection, AC lockout, low voltage disconnect, AC power indicator, charge status indicator, audible user-interface controls, visual LED system fault indicator, and tactile push-to-test switch.
- Additional equipment safety features include reverse battery polarity detection and protection, and reverse utility power detection and protection.
- All self-powered models include an on-board IR receiver for use with the optional hand-held remote (ICIR).
- (optional self-testing electronics) The diagnostic/charging platform with optional self-testing mode automatically runs a one minute self-test once a month and a 30 minute test on the sixth and twelfth month in accordance with NFPA 101.
- A one-minute or 90 minute test may be initiated via the push to test switch on the unit or by activating the appropriate test command on the optional IR test device.
- Power Consumption
AC-only and 2CKT models, damp location:
-40°F (-40°C) to 104°F (40°C).
Self-powered, damp location: 32°F (0°C) to 104°F (40°C).
AC only models: (120 VAC) 60 Hz, 0.203 A; (277 VAC) 60 Hz, 0.087 A.
AC only, 2 circuit models: (120 VAC) 60 Hz, 0.203 A; (277 VAC) 60 Hz, 0.087 A.
Self-powered models: (120 VAC) 60 Hz, 0.198 A; (277 VAC) 60 Hz, 0.088 A.



F3 Fusion III LED die-cast aluminum recessed ceiling light

“AC only or Emergency”

lamps

- Illumination is provided by two field replaceable white LED modules and a vacuum plated polycarbonate reflector .
- The two LED modules are independently driven and operate at 3 , 100 K or 6 , 500 K based on selected models .

battery

- Maintenance free sealed nickel metal hydride with 10 year life .
- Provides a minimum of 90 minutes emergency illumination .

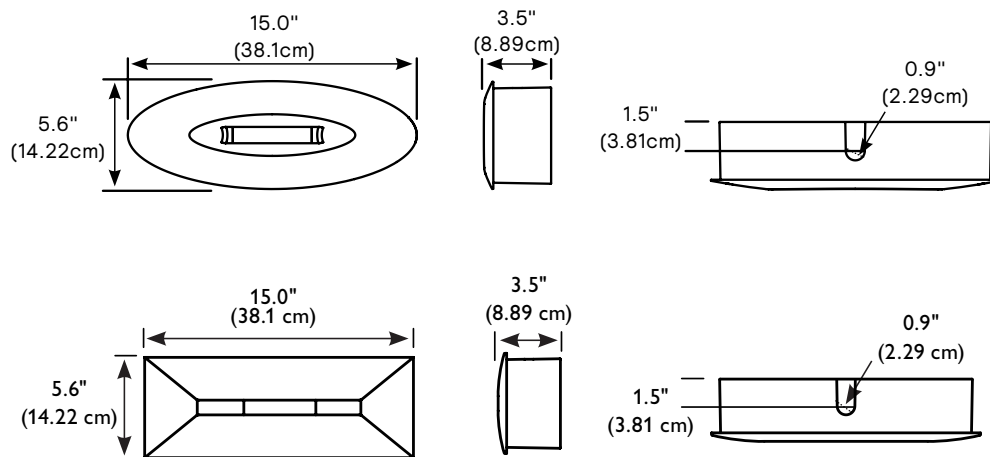
warranty

- Five full years on electronics and unit .

options

- 2CKT1 – Available on AC only configured models to accommodate inputs from a normally on circuit and an AC emergency circuit from a generator or emergency inverter circuit limited to 120 VAC circuits .
- 2CKT2 – Available on AC only configured models to accommodate inputs from a normally on circuit and an AC emergency circuit from a generator or emergency inverter circuit limited to 277 VAC circuits .
- DC – The DC option is reserved for AC only configured models and accommodates wiring to a remote emergency battery unit . The DC input is not polarity sensitive and accepts 12 to 48 VDC from a remote source .
- EX – The special input transformer option allows for input voltage and frequencies beyond the standard 120/277 VAC , 60 Hz input .
- ICT – The self-testing option enables a periodic self-test of the equipment where a test routine is established to perform a one minute test every thirty days with a 30 minute test performed on the sixth and twelfth month in accordance with NFPA 101 . Equipment readiness faults are indicated with a visual LED display .
- ICTA – The audible self-testing option enables a periodic self-test of the equipment where a test routine is established to perform a one minute test once a month with a 30 minute test performed on the sixth and twelfth month in accordance with NFPA 101 . Equipment readiness faults are indicated with a visual LED display and an audible alarm .

dimensions



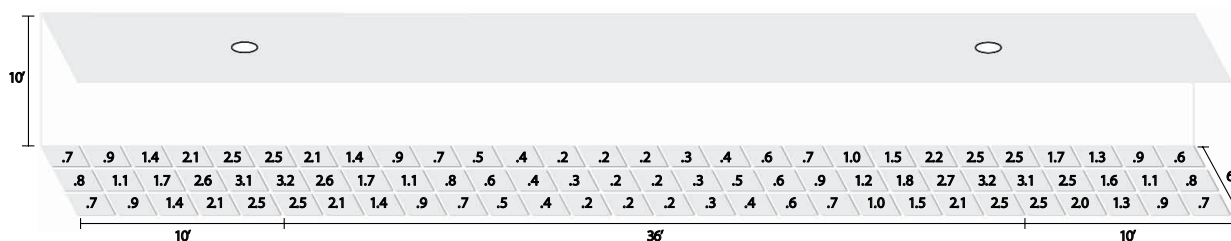
F3 Fusion III LED die-cast aluminum recessed ceiling light

“AC only or Emergency”

performance

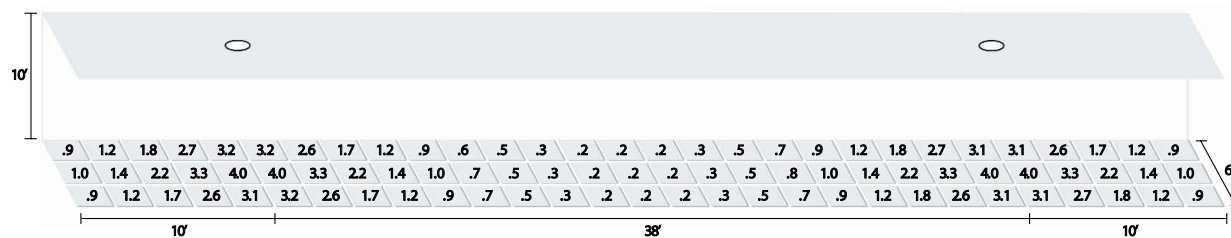
Meets Life Safety Code illumination standard; average of 1.0 FC, no point less than 0.1 FC, max to min ratio of 40:1. Assumes open space with no obstructions, mounting height: 10' and reflectances: 80/50/20. Analysis based on independently tested photometrics.

Recessed Ceiling Mount in AC Mode, 10' AFF,
Two Fixtures, 36' Centers



Test No.: ITL72934 Average initial footcandles at floor = 1.08 Minimum initial footcandles at floor = 0.2
Maximum initial footcandles at floor = 3.2 Maximum to minimum ratio = 16.00

Recessed Ceiling Mount in Emergency Mode, 10' AFF, Two Fixtures, 38' Centers



Test No.: ITL72934 Average initial footcandles at floor = 1.27 Minimum initial footcandles at floor = 0.2
Maximum initial footcandles at floor = 4.1 Maximum to minimum ratio = 20.50

Buy American Act of 1933 (BAA):

This product is manufactured in one of our US factories and, as of the date of this document, this product was considered a commercially available off-the-shelf (COTS) item meeting the requirements of the BAA. This BAA designation hereunder does not address (i) the applicability of, or availability of a waiver under, the Trade Agreements Act, or (ii) the “Buy America” domestic content requirements imposed on states, localities, and other non-federal entities as a condition of receiving funds administered by the Department of Transportation or other federal agencies. Prior to ordering, please visit www.signify.com/baa to view a current list of BAA-compliant products to confirm this product’s current compliance.



© 2021 Signify Holding. All rights reserved. The information provided herein is subject to change, without notice. Signify does not give any representation or warranty as to the accuracy or completeness of the information included herein and shall not be liable for any action in reliance thereon. The information presented in this document is not intended as any commercial offer and does not form part of any quotation or contract, unless otherwise agreed by Signify.

Signify North America Corporation
200 Franklin Square Drive,
Somerset, NJ 08873
Telephone 855-486-2216

Signify Canada Ltd.
281 Hillmount Road,
Markham, ON, Canada L6C 2S3
Telephone 800-668-9008

All trademarks are owned by Signify Holding or their respective owners.